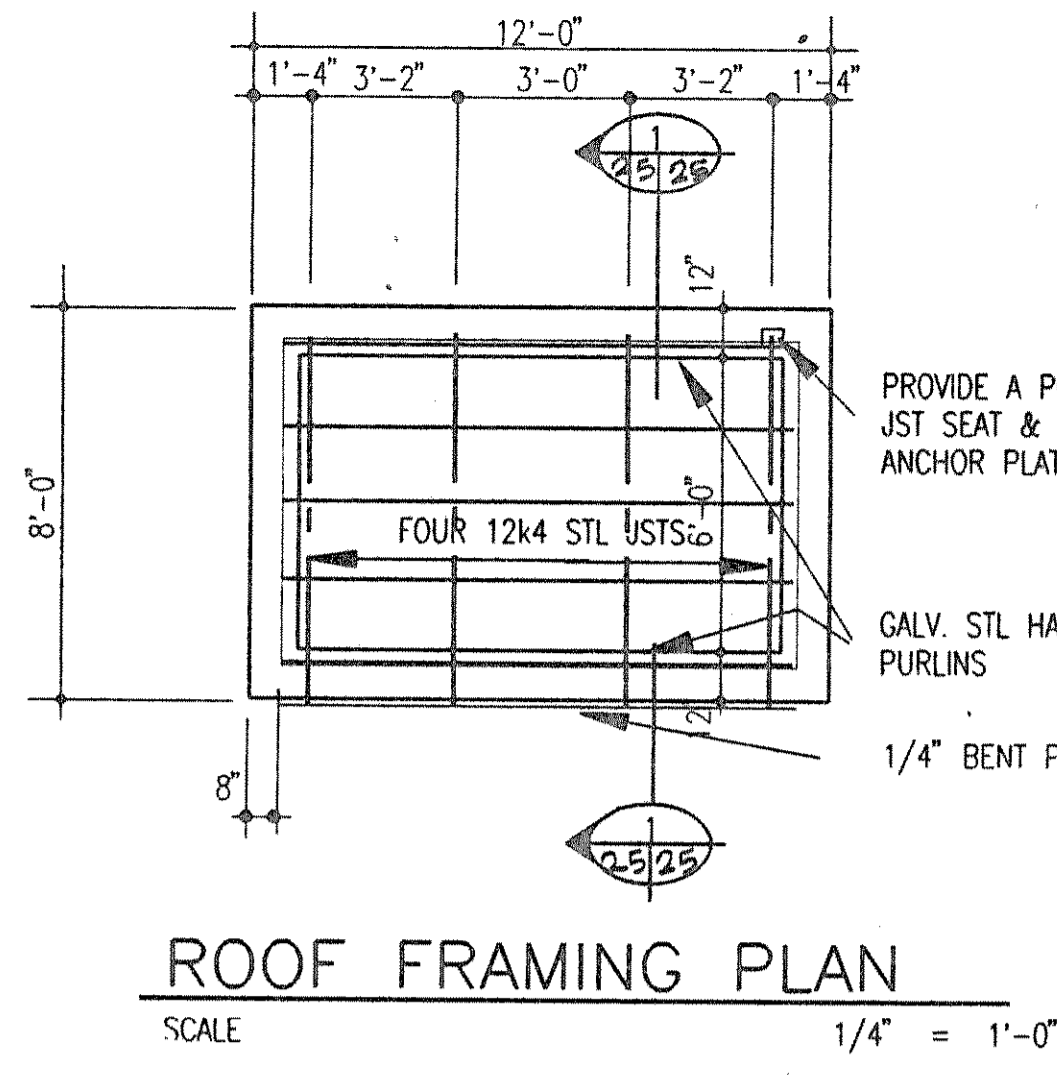
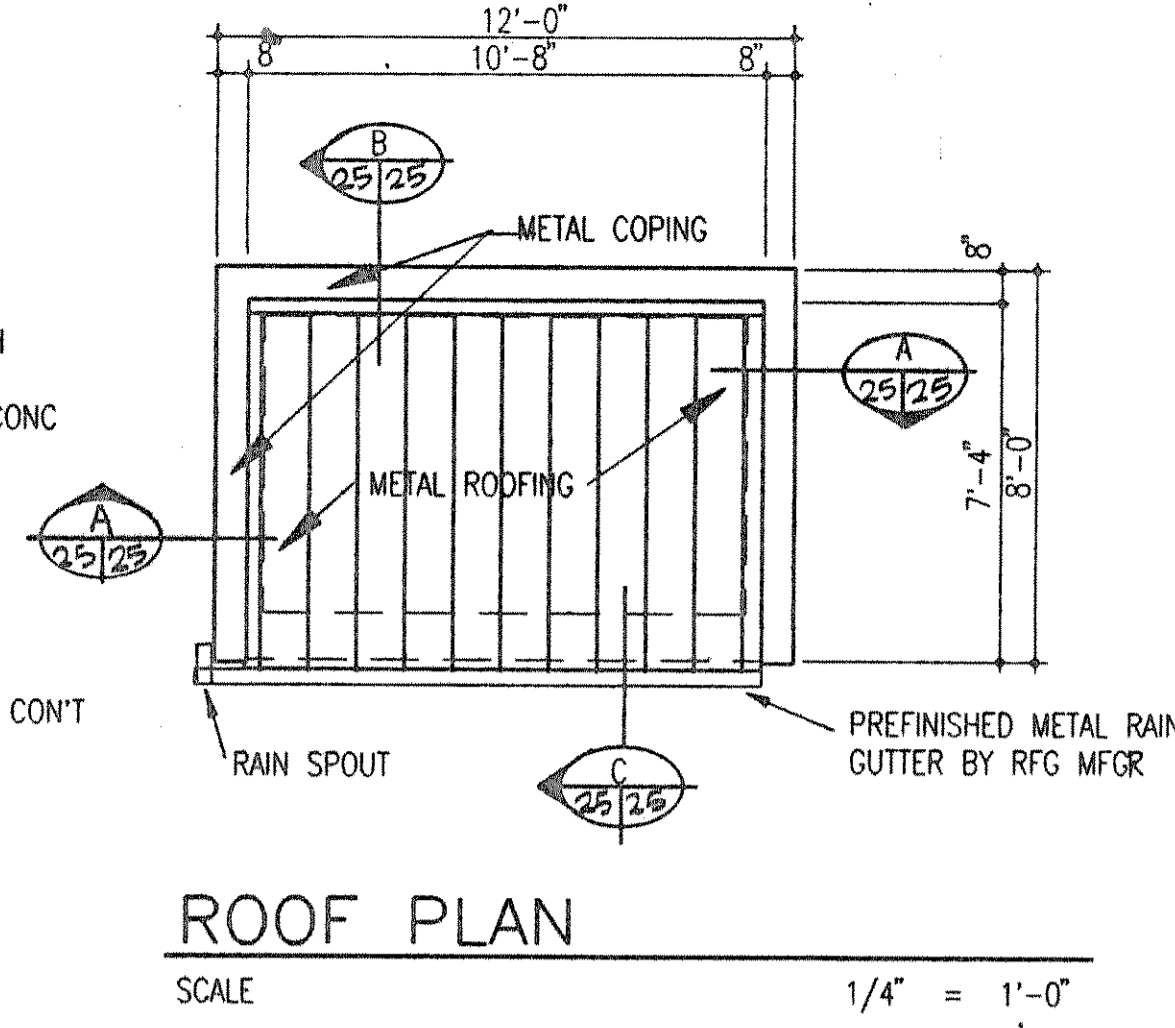


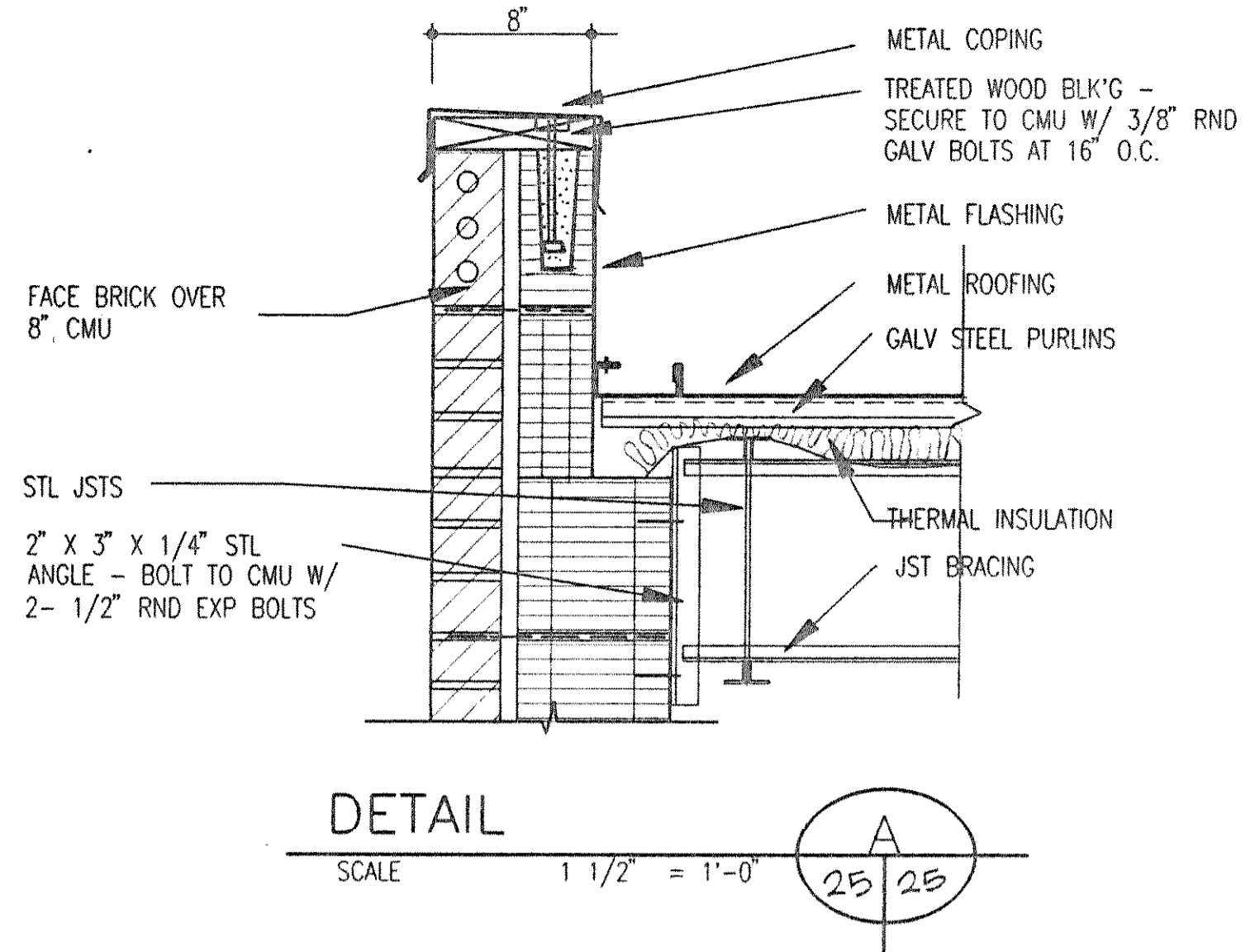
FLOOR PLAN
SCALE 1/4" = 1'-0"



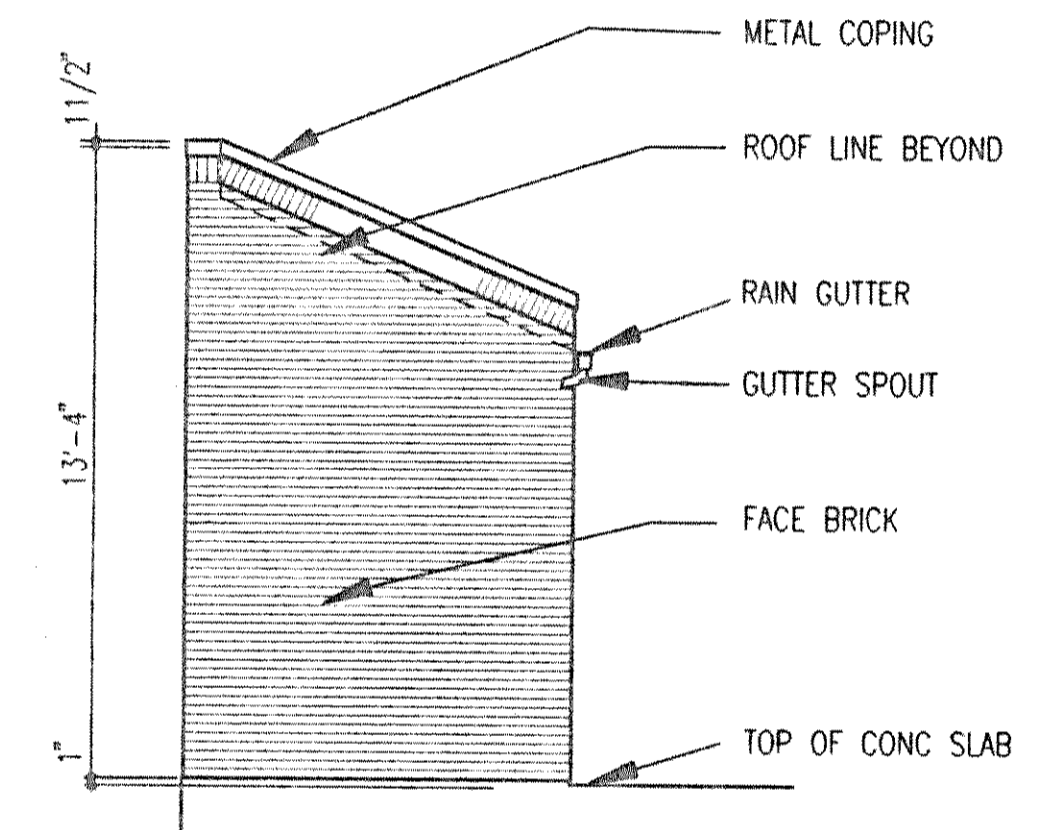
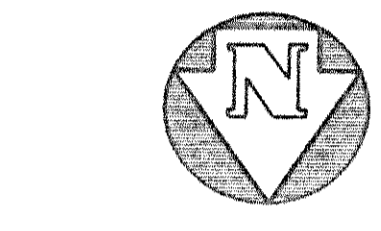
ROOF FRAMING PLAN
SCALE 1/4" = 1'-0"



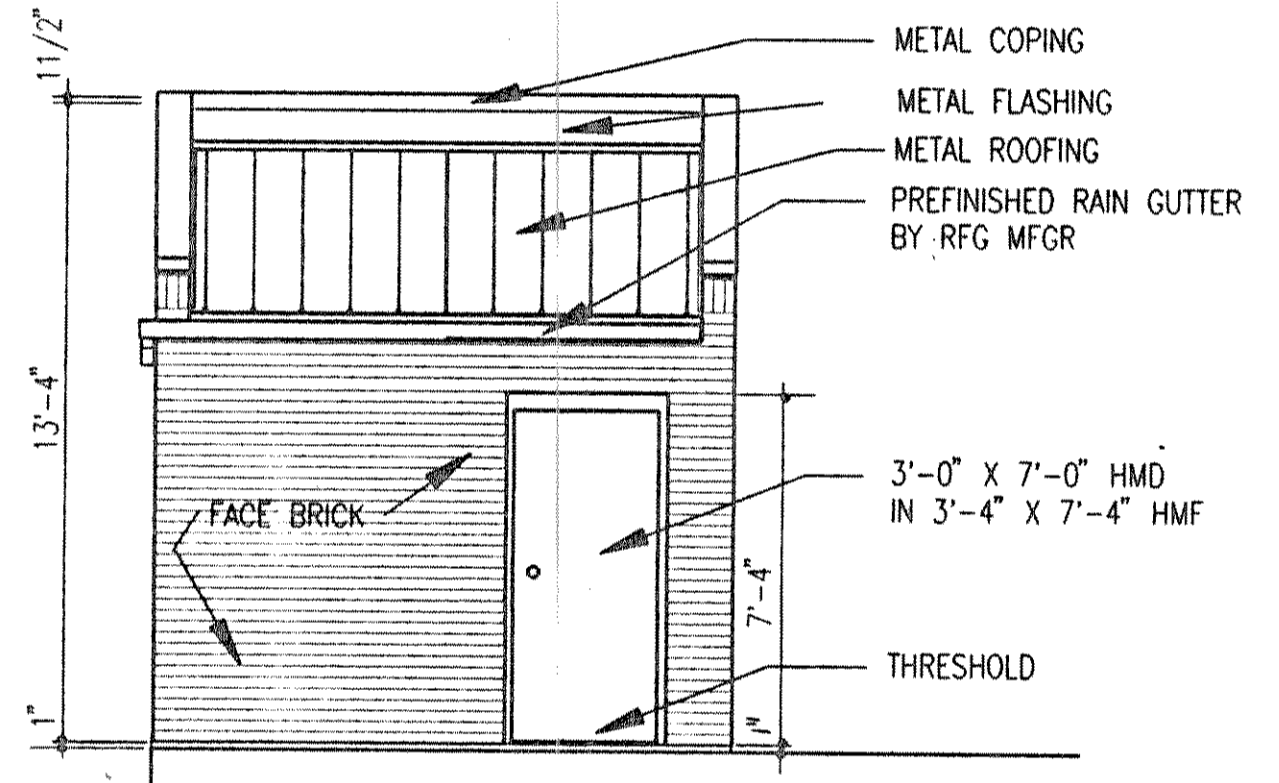
ROOF PLAN
SCALE 1/4" = 1'-0"



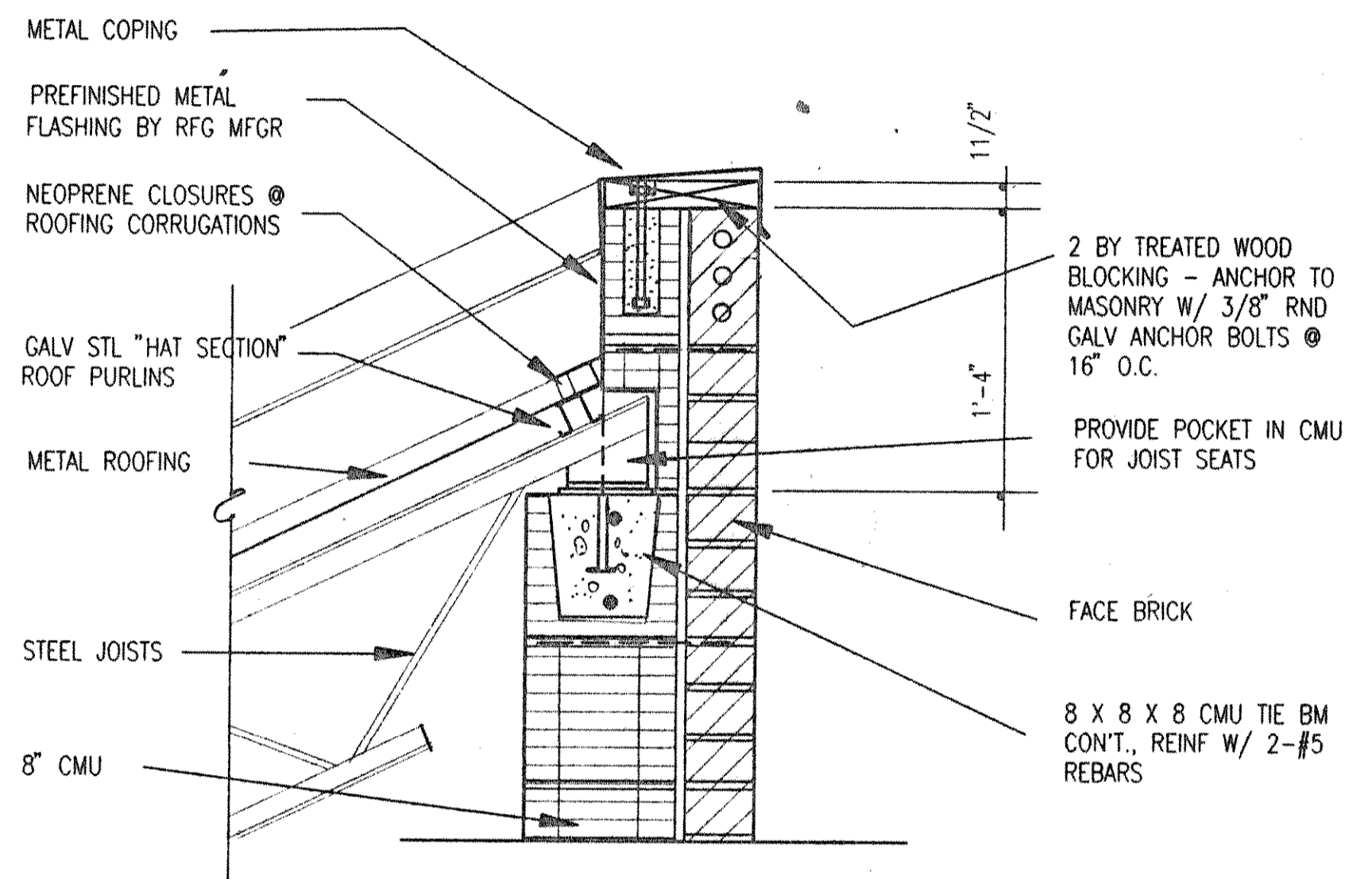
DETAIL
SCALE 1 1/2" = 1'-0"



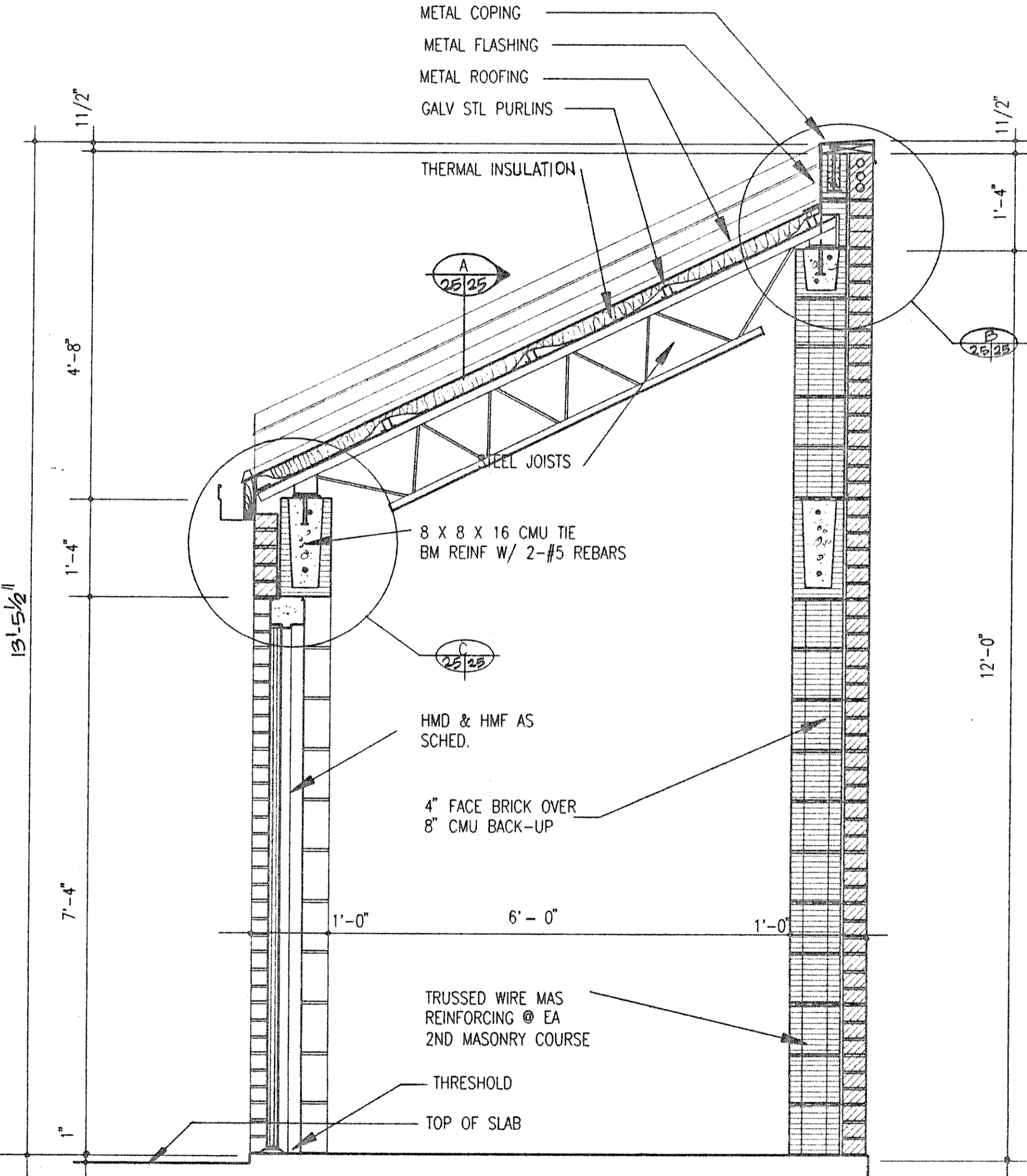
EAST ELEVATION
SCALE 1/4" = 1'-0"



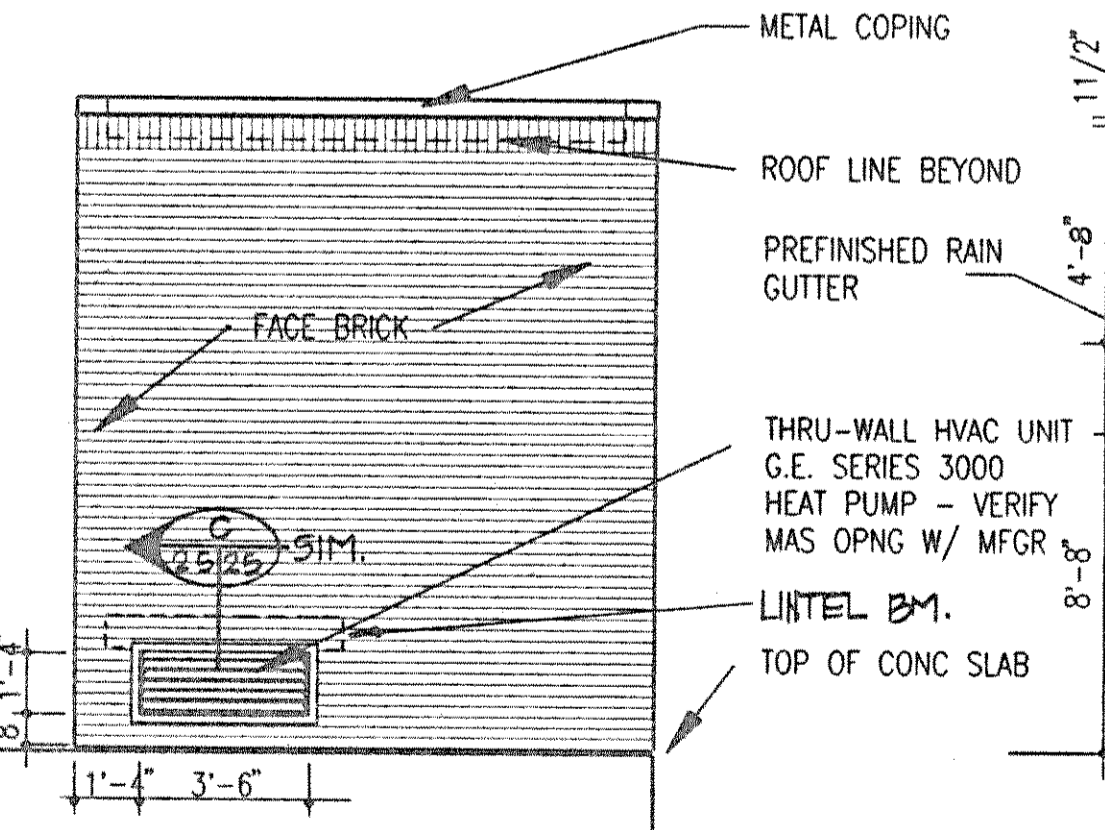
NORTH ELEVATION
SCALE 1/4" = 1'-0"



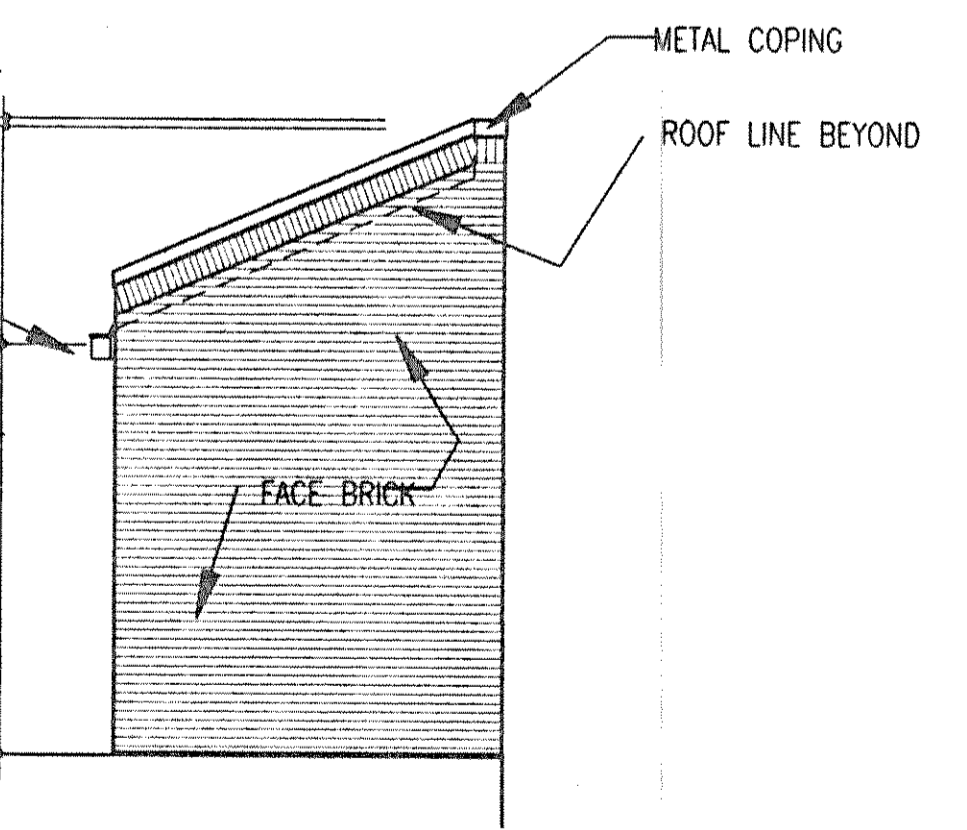
DETAIL
SCALE 1 1/2" = 1'-0"



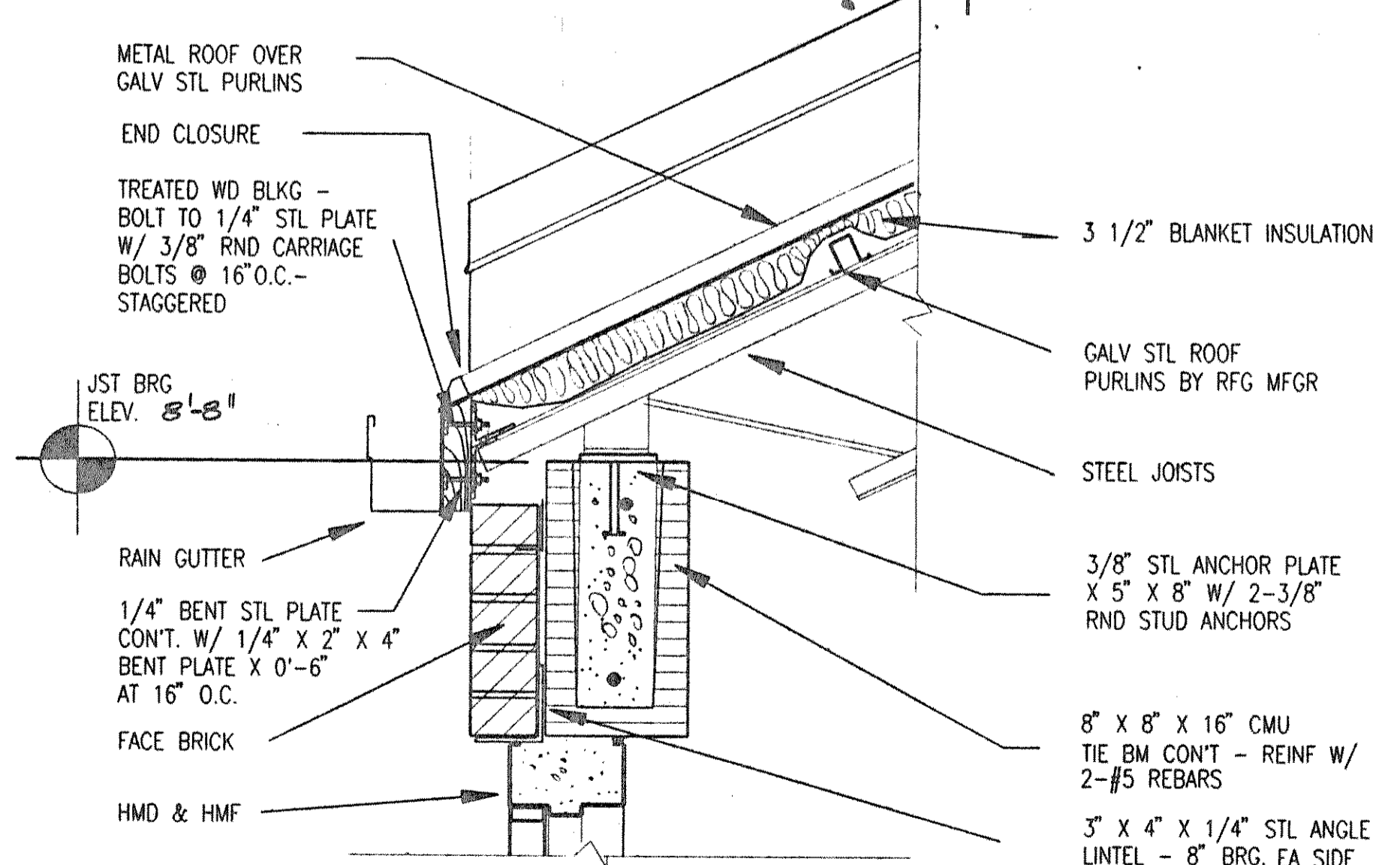
CROSS SECTION
SCALE 3/4" = 1'-0"



SOUTH ELEVATION
SCALE 1/4" = 1'-0"



WEST ELEVATION
SCALE 1/4" = 1'-0"



DETAIL
SCALE 1 1/2" = 1'-0"

RECORD DRAWING
Date filed by JN

DATE	REVISION	DESIGNED RNP	TRACED RNP	CHECKED RNP	JOB NO. NTP 30247	DATE SEPT 1990	SCALE AS NOTED
------	----------	-----------------	---------------	----------------	----------------------	-------------------	-------------------

FREESE AND NICHOLS, INC.
CONSULTING ENGINEERS
FORT WORTH ARLINGTON AUSTIN, TEXAS

NORTH TEXAS MUNICIPAL WATER DISTRICT
WYLIE-ROCKWALL-FARMERSVILLE PIPELINE

CONTROL ROOM - ARCHITECTURAL

