



TRANSMISSION ENGINEERING

DATE	APP.	CH.	DESCRIPTION

DATE	APP.	CH.	DESCRIPTION

DATE	APP.	CH.	DESCRIPTION

DATE	APP.	CH.	DESCRIPTION

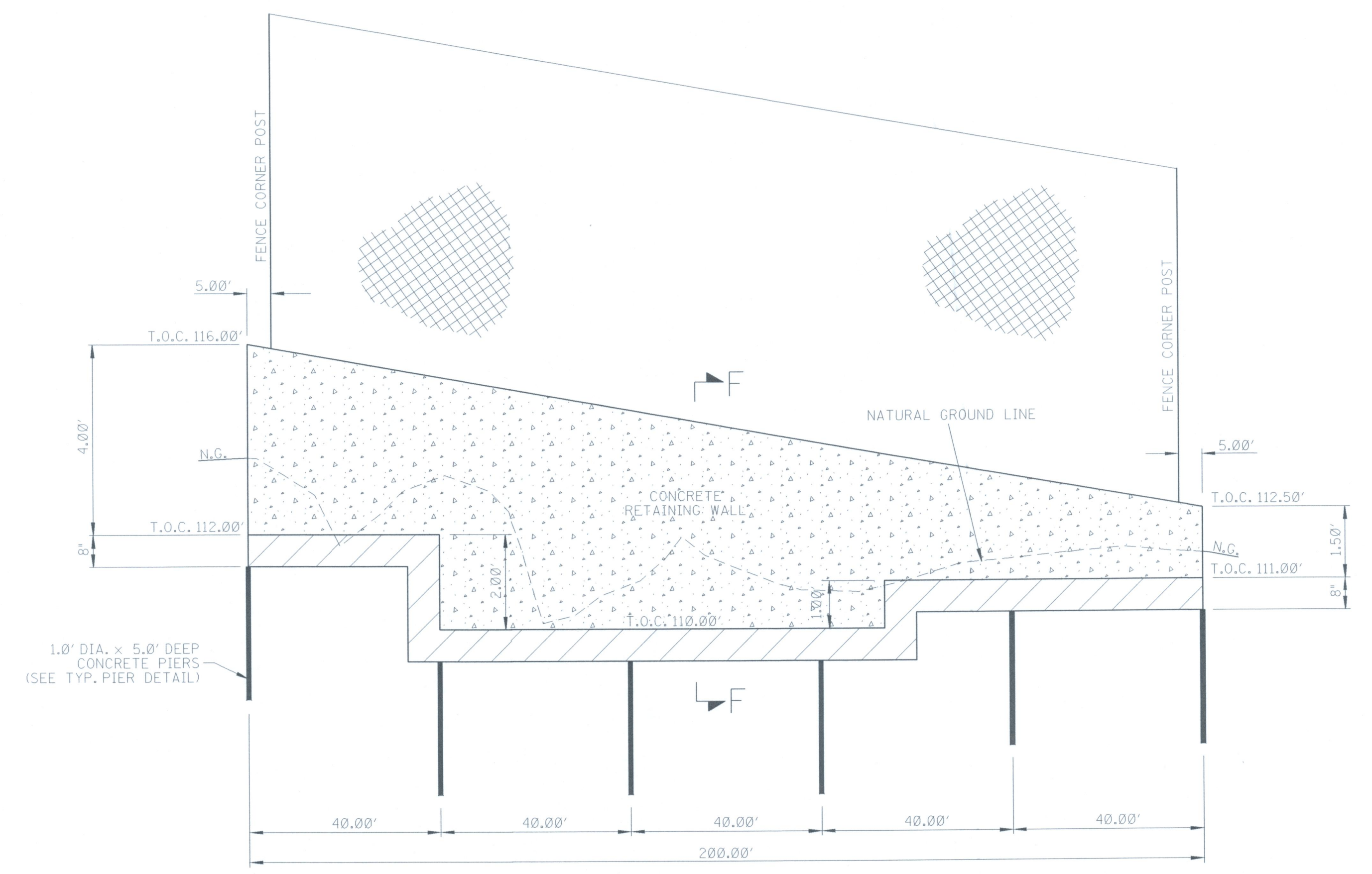
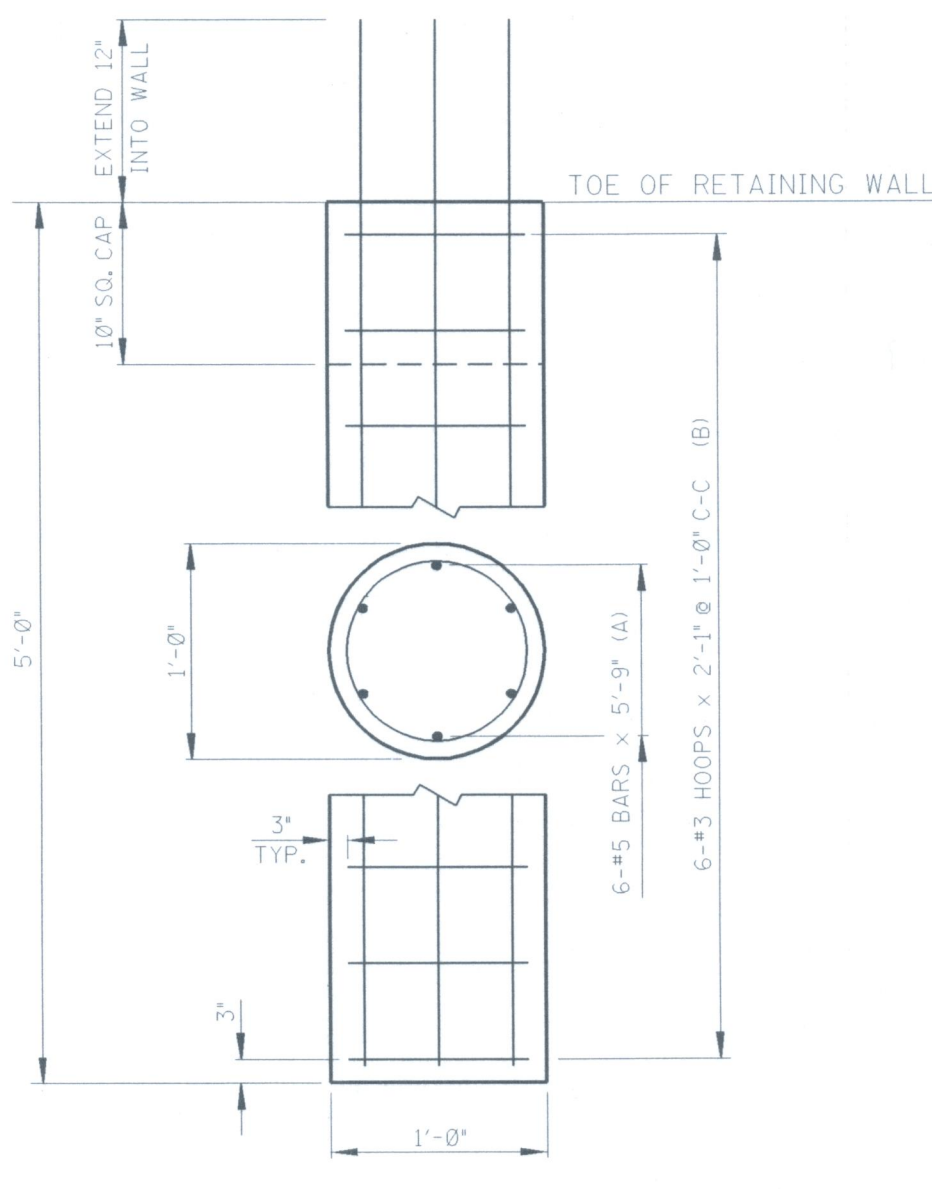
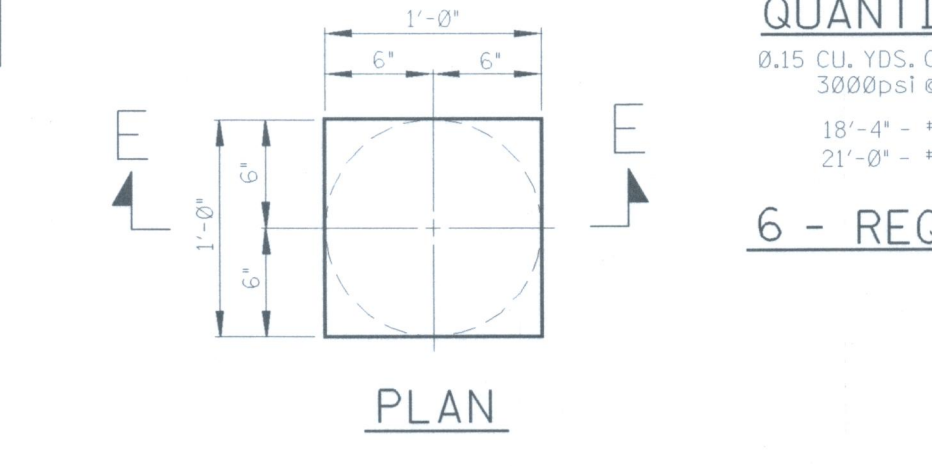
DATE	APP.	CH.	DESCRIPTION

DATE	APP.	CH.	DESCRIPTION

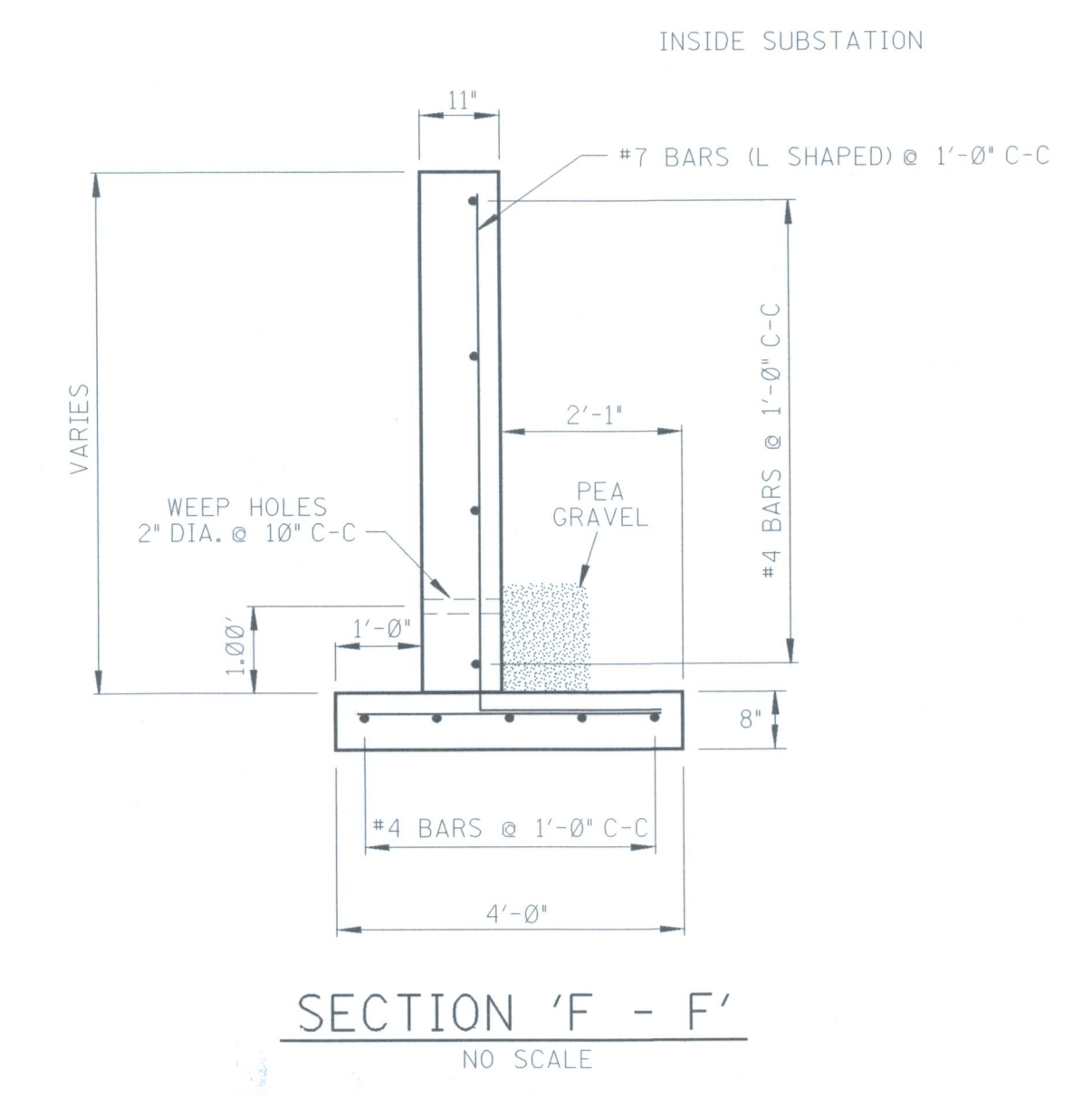
DATE	APP.	CH.	DESCRIPTION

DATE	APP.	CH.	DESCRIPTION

QUANTITIES:
0.15 CU. YDS. CONCRETE
3000psi @ 28 DAYS
18'-4" - #3 BAR
21'-0" - #5 BAR
6 - REQUIRED



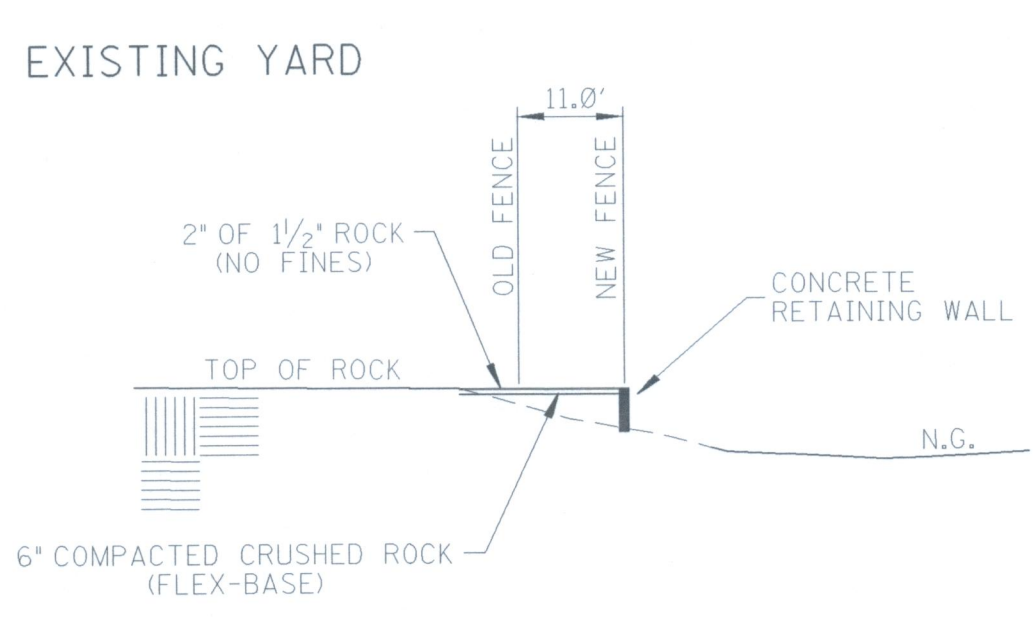
RETAINING WALL
(LOOKING FROM INSIDE)
SCALE: 1" = 20' Horz.
1" = 2' Vert.



SECTION 'F - F'
NO SCALE

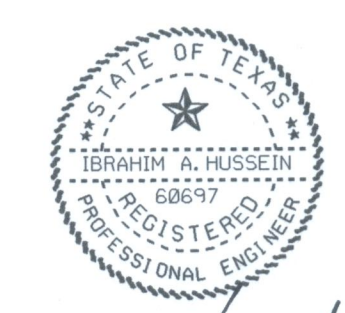


PLAN VIEW
SCALE: 1" = 20'



SECTION 'A - A'
SCALE: 1" = 20'

APPROVED FOR CONSTRUCTION
JAN 17 2006
City of Rockwall Engineering Dept.
City Engineer: *CAI*



"THE SEAL APPEARING ON THIS DOCUMENT WAS AUTHORIZED BY P.E. 68697, ON 11-17-2006"

NOTES:
THE INFORMATION SHOWN ON THESE DRAWINGS IS PROVIDED TO BETTER ENABLE THE CONTRACTOR TO ACCURATELY ESTIMATE THE AMOUNT OF WORK REQUIRED TO BRING THE SITE TO THE ELEVATIONS SHOWN ON THE GRADING PLAN. WE BELIEVE THAT THE CONTOURS SHOWN ACCURATELY REPRESENT THE CONDITION OF THE SITE ON THE DATE IT WAS SURVEYED BUT THE CONTRACTOR IS HEREBY EXPRESSLY PERMITTED TO PERFORM ANY ADDITIONAL FIELD VERIFICATIONS PROCEDURES HE DEEMS NECESSARY TO PREPARE HIS LUMP SUM BID.
ALL CONSTRUCTION SHALL BE PERFORMED IN ACCORDANCE WITH TXU SPECIFICATIONS FOR SUBSTATION & TRANSMISSION LINE CONSTRUCTION SPECIFICALLY SECTION J, SITE PREPARATION, GRADING & GRAVELLING.
ALL ELEVATIONS SHOWN ON THIS DRAWING ARE FINISHED SUBGRADE ELEVATIONS (BELOW CRUSHED ROCK) UNLESS OTHERWISE SPECIFIED.
CUT & FILL DEPTHS SHOWN ON THIS DRAWING ARE FOR INFORMATIONAL PURPOSES ONLY. ALL GRADING SHALL BE COMPLETED TO ELEVATIONS SHOWN ON THIS GRADING PLAN.
C - CUT BELOW NATURAL GROUND
F - FILL ABOVE NATURAL GROUND
NG - NATURAL GROUND