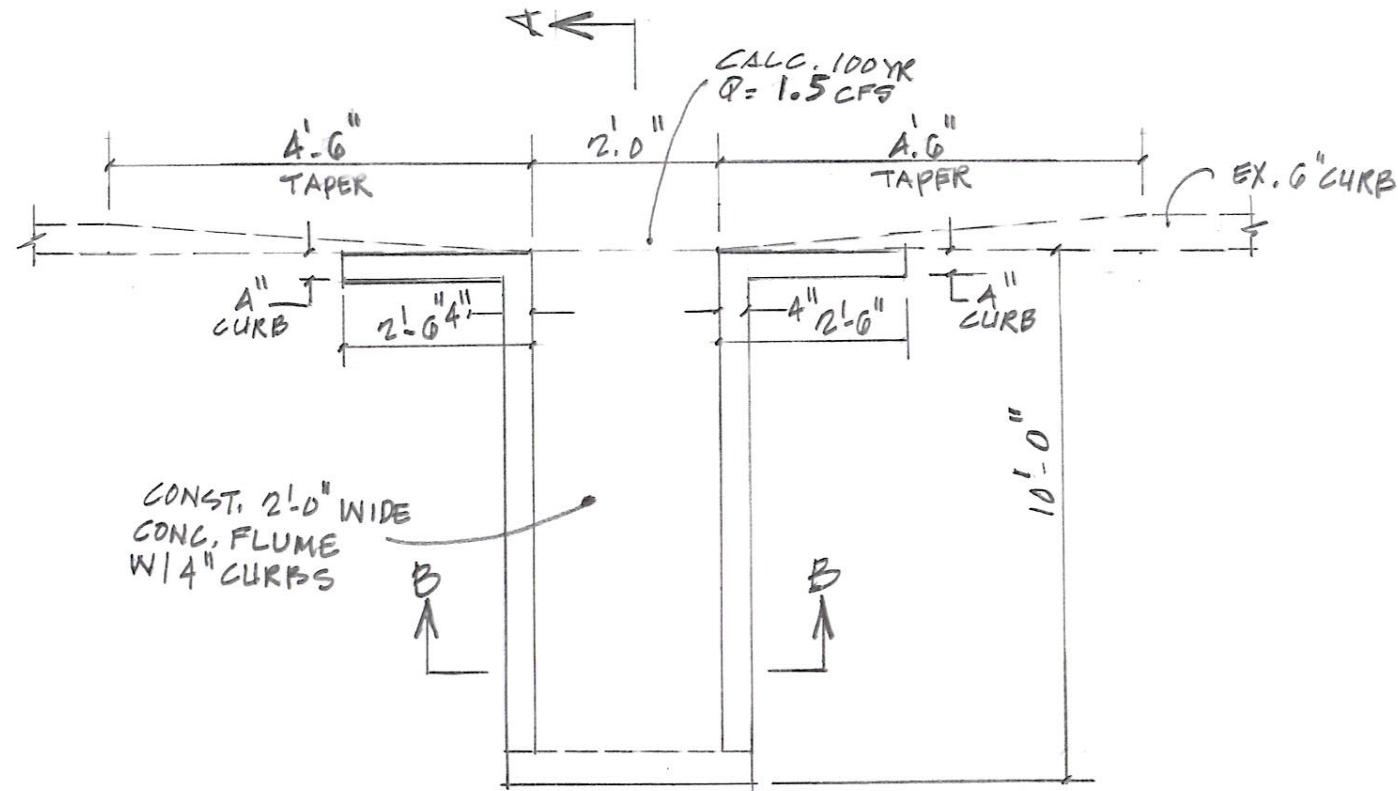


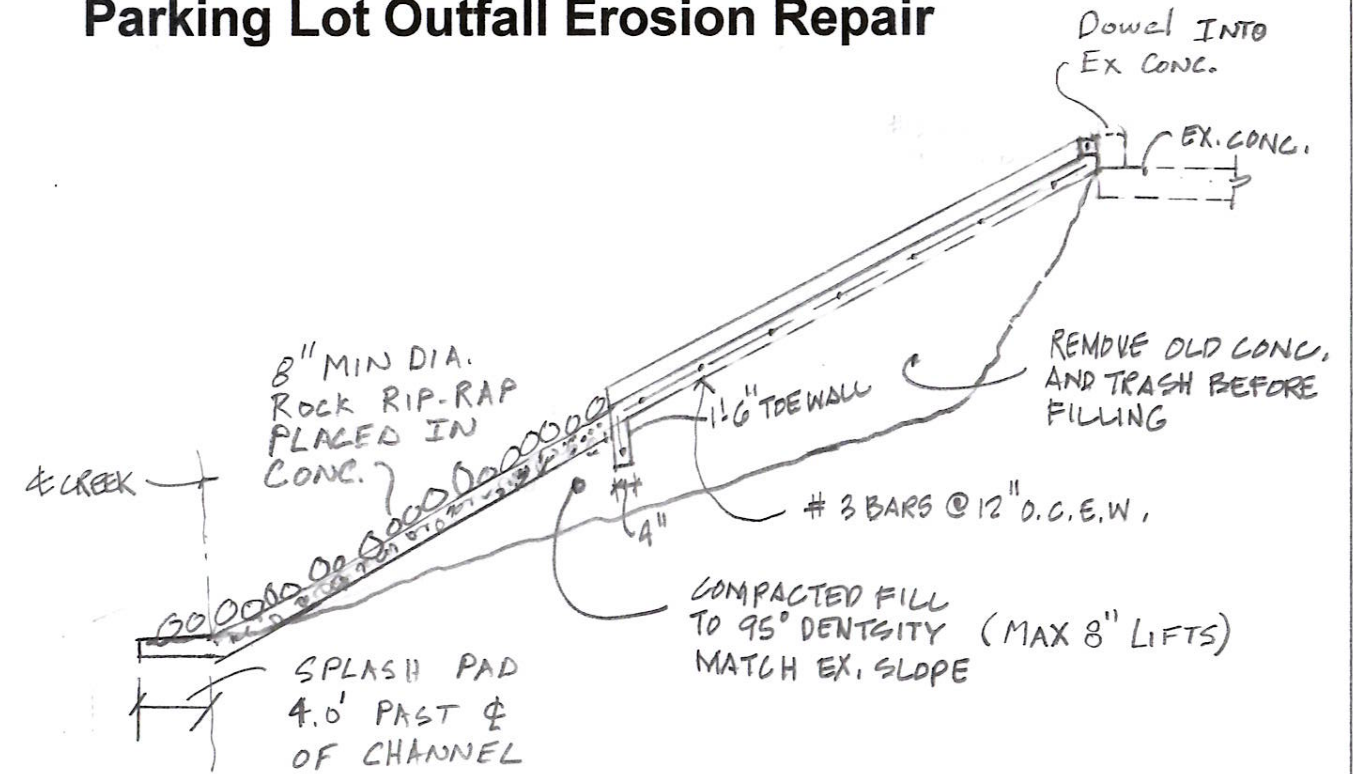
# 1207 Beta Drive Parking Lot Outfall Erosion Repair



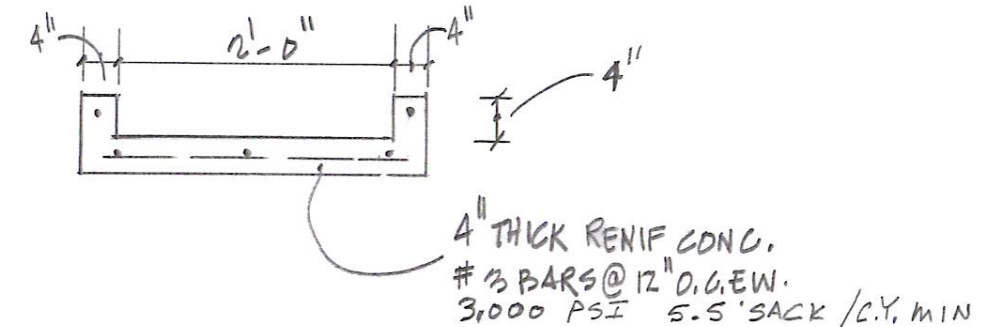
CONG. RIP-RAP TO THE CREEK  
8" MIN DIA  
PLACED IN CONG.

$Q = CIA$   
 $C = 0.9$   
 $I = 9.8$   
 $A = 7,360 \text{ SF} = 0.17 \text{ Acres}$   
 $Q = 0.9 \times 9.8 \times 0.17 = 0.97 \text{ CFS Use } 1.5 \text{ CFS}$   
 $\text{Velocity } V = Q/A$   
 $A \text{ of Flume} = 0.5' \times 2.0' = 1.0 \text{ SF}$   
 $V = 1.5 \text{ CFS} / 1.0 \text{ SF} = 1.5 \text{ feet per second}$


PLAN  
NO SCALE

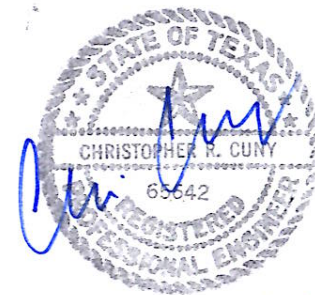


SECTION A-A  
NO SCALE



SECTION B-B  
NO SCALE


**City of Rockwall**  
**Public Works Department**  
**Engineering Division**  
**APPROVED FOR CONSTRUCTION**  
**Private Development Project**  
ALL RESPONSIBILITY FOR ADEQUACY OF DESIGN REMAINS WITH THE DESIGN ENGINEER. THE CITY OF ROCKWALL, IN REVIEWING AND RELEASING PLANS FOR CONSTRUCTION, ASSUMES NO RESPONSIBILITY FOR ADEQUACY OR ACCURACY OF DESIGN  
 City Engineer: *Jimmy M. White, P.E., CFM* Date: 04/24/2020



12-31-2019



Owner: Heath Development Corp. #1  
 1365 S. FM 740  
 Forney, Texas 75126

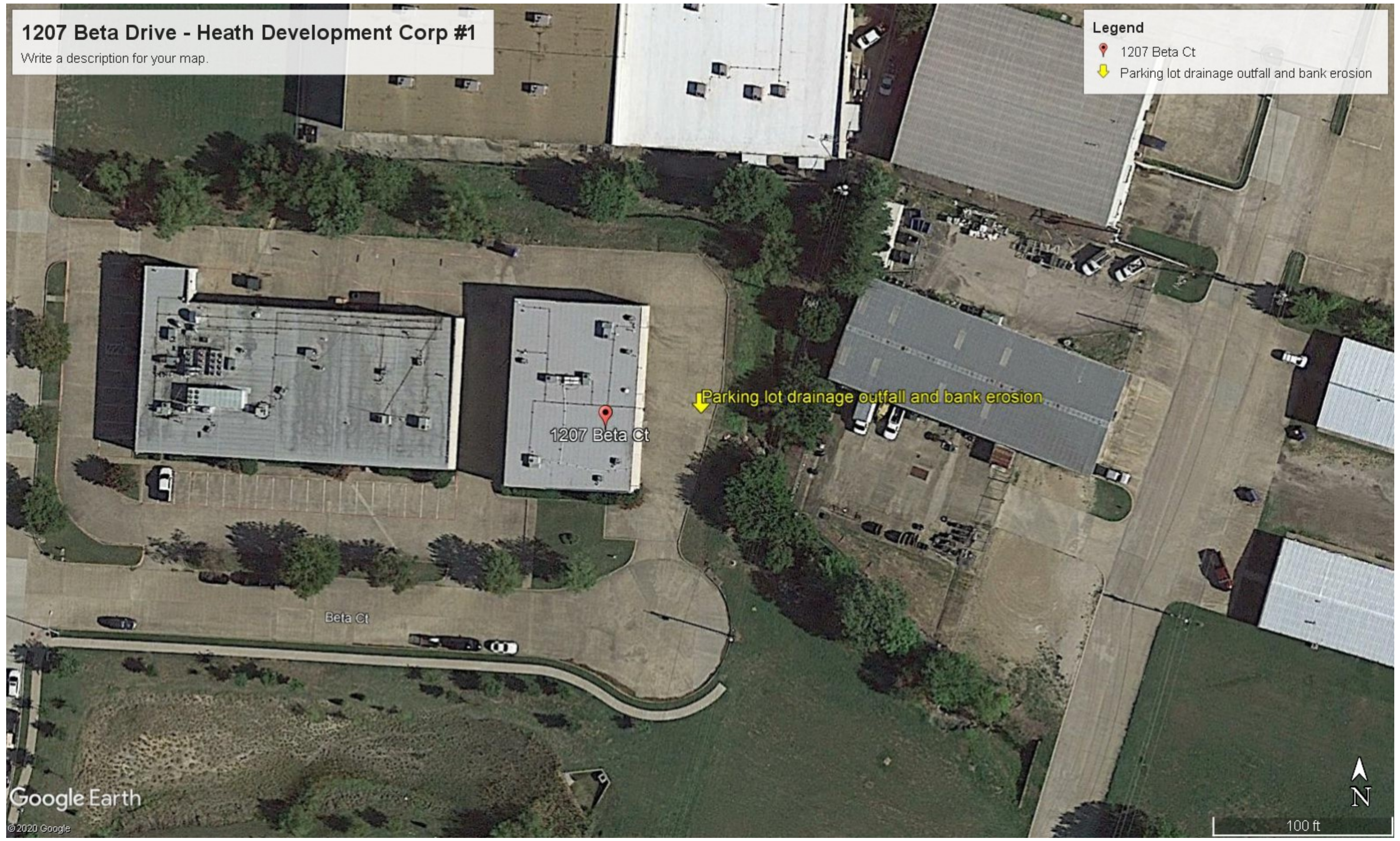
Engineer:  
**F.C. CUNY CORPORATION**  
 #2 Horizon Court • Ste. 500 • Heath, Texas 75032  
 Phone: 469-402-7700  
 Fax: 469-402-0700  
 Texas Registered Engineering Firm F-7449

# 1207 Beta Drive - Heath Development Corp #1

Write a description for your map.

## Legend

-  1207 Beta Ct
-  Parking lot drainage outfall and bank erosion



1207 Beta Ct

Parking lot drainage outfall and bank erosion

Beta Ct

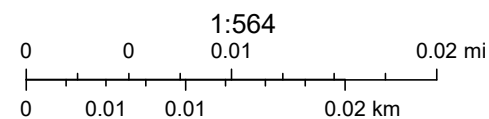


# Drainage Area



April 17, 2020

- Override 1
- Override 1
- 2017
- Green: Band\_2
- Red: Band\_1
- Blue: Band\_3
- Override 1
- Counties



Source: Esri, DigitalGlobe, GeoEye, Earthstar Geographics, CNES/Airbus DS, USDA, USGS, AeroGRID, IGN, and the GIS User Community



