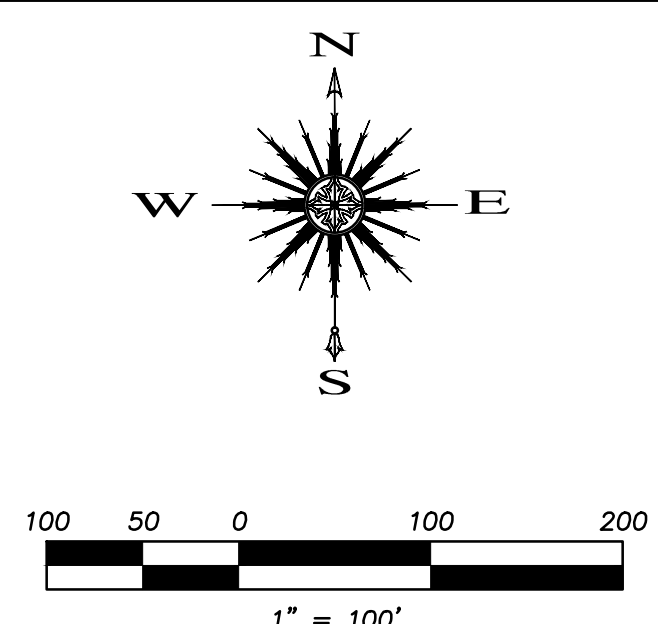


NTMWD MANHOLE CONNECTION GENERAL NOTES

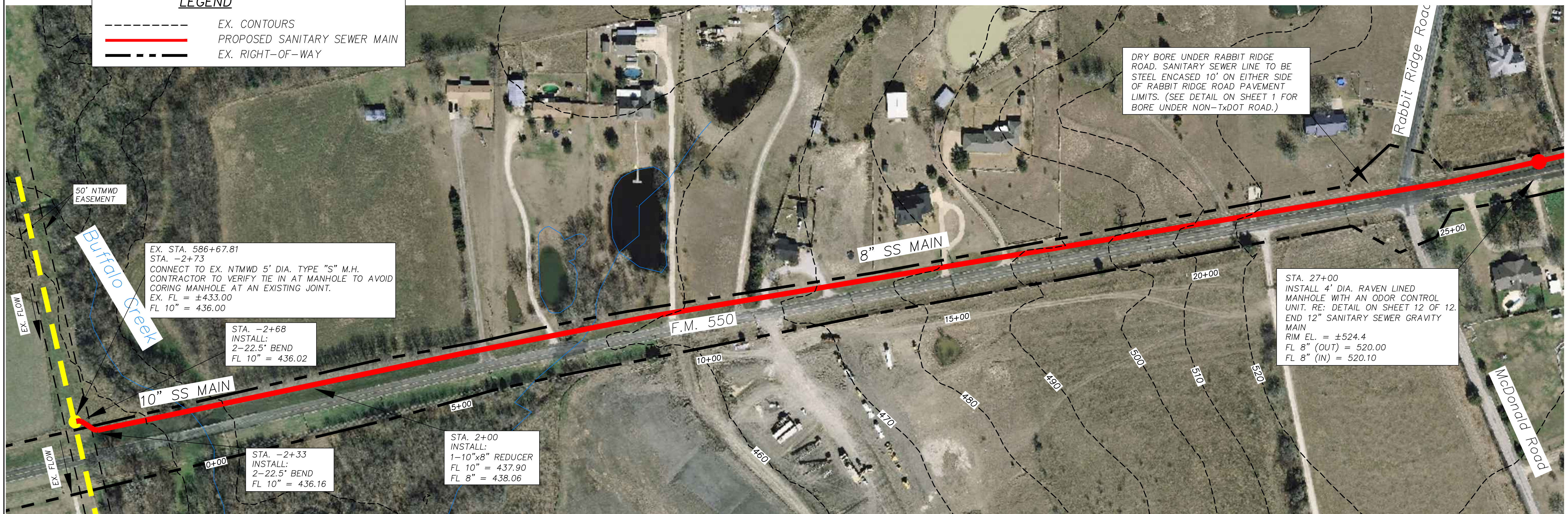
1. The procedure for the proposed connection to NTMWD's 36-inch sanitary sewer is as follows:

- A. The City of Heath shall submit a written request for approval of the location of the proposed sewer connection. The NTMWD will approve the proposed location of the connection by letter.
- B. The sewer lines and manholes shall be constructed and tested in accordance with the City of Heath standards and specifications prior to connection to the NTMWD line.
- C. The City of Heath shall provide a letter indicating that the sewer lines and manholes are complete and tested. NTMWD will authorize, in writing, the connection to the manhole on the NTMWD sanitary sewer line. A City of Heath and NTMWD representative must be present during the connection to the NTMWD line.
- D. The contractor will need to contact the NTMWD a minimum of two weeks in advance of desired tie-in date, in order to complete the required NTMWD "shut-down" form. The "shut-down" form, along with the letter from the City of Heath noted in Item C, will be submitted to the NTMWD Executive Director for approval of the actual tie-in date. Dates for tie-ins are limited to Tuesday, Wednesday, and Thursday of each week.



LEGEND

- EX. CONTOURS
- PROPOSED SANITARY SEWER MAIN
- EX. RIGHT-OF-WAY



EX. STA. 586+67.81
STA. -2+73
CONNECT TO EX. NTMWD 5' DIA. TYPE "S" M.H.
CONTRACTOR TO VERIFY TIE IN AT MANHOLE TO AVOID
CORING MANHOLE AT AN EXISTING JOINT.
EX. FL = ±433.00
FL 10" = 436.00

STA. -2+68
INSTALL:
2-22.5' BEND
FL 10" = 436.02

STA. -2+33
INSTALL:
2-22.5' BEND
FL 10" = 436.16

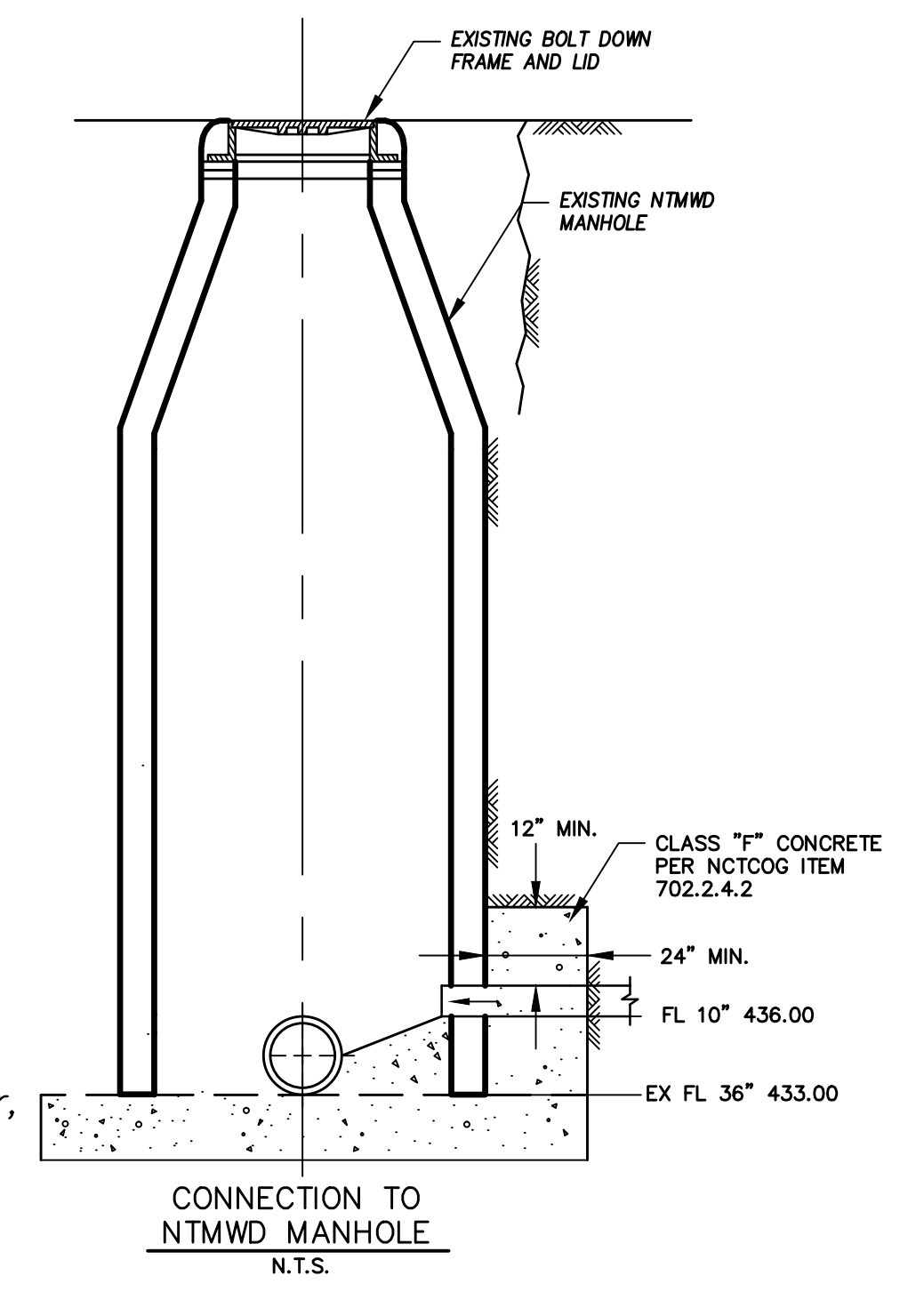
STA. 2+00
INSTALL:
1-10"x8" REDUCER
FL 10" = 437.90
FL 8" = 438.06

DRY BORE UNDER RABBIT RIDGE ROAD. SANITARY SEWER LINE TO BE STEEL ENCASED 10' ON EITHER SIDE OF RABBIT RIDGE ROAD PAVEMENT LIMITS. (SEE DETAIL ON SHEET 1 FOR BORE UNDER NON-TxDOT ROAD.)

STA. 27+00
INSTALL 4' DIA. RAVEN LINED MANHOLE WITH AN ODOR CONTROL UNIT. RE: DETAIL ON SHEET 12 OF 12.
END 12" SANITARY SEWER GRAVITY MAIN
RIM EL. = ±524.4
FL 8" (OUT) = 520.00
FL 8" (IN) = 520.10

NTMWD MANHOLE CONNECTION GENERAL NOTES (CONTINUED)

- 2. The method for penetrating the existing manhole shall be by coring. Care shall be exercised so that debris does not enter the manhole or pipeline. An "A-LOK" manufactured rubber gasket or a "Link Seal" with stainless bolts shall be used in accordance to City of Heath Standards and Details and shall be installed where the pipeline penetrates the wall of the existing manhole. Fill all outside gaps below face of outside manhole wall where 10" pipe penetrates thru the "Link Seal" and wall with non-shrink grout. The cored hole shall be a minimum of two inches larger than the O.D. of the pipe.
- 3. Connection of the proposed lines to NTMWD's existing manholes or pipeline shall be accomplished in the minimum time during periods of low flow.
- 4. Prior to performing any work inside the manhole over the existing NTMWD pipeline, the contractor will be required to execute a "contractor's agreement to modify NTMWD facilities". The standard form will need to be filled in and signed by the contractor and returned to the NTMWD office prior to construction. The NTMWD field inspector will complete execution of the form at time of scheduled work.
- 5. Excavation adjacent to NTMWD pipeline and appurtenances to install the proposed improvements shall be performed so that the pipeline or appurtenances are not displaced or damaged. Any damage to the pipeline or appurtenances shall be repaired to the satisfaction of the NTMWD. Further, any cost of repair of damage to the pipeline or appurtenances resulting in construction by the developer or contractor will be the responsibility of the developer.
- 6. The manhole connection and the installation of the 10" pipeline is to be inspected by the City of Heath.



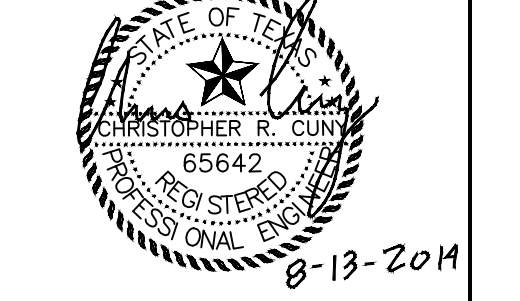
Revision	Date	Description

Owner:
City of McLendon-Chisholm
1248 S. Hwy 205 • McLendon-Chisholm, TX • 75032
Phone: 972-524-2077

City of McLendon-Chisholm
SANITARY SEWER MAIN

F.C. CUNY CORPORATION
#2 Horizon Court • Ste. 500 • Heath, Texas 75032
Phone: 469-402-7700
Fax: 469-402-0700
Texas Registered Engineering Firm F-7449

THE SEAL APPEARING ON THIS DOCUMENT WAS AUTHORIZED BY CHRISTOPHER R. CUNY, P.E. 65642



Drawn By: FC CUNY	Checked By: FC CUNY
Date: 12-12	Project No.: 08-007

Sheet Title:
Offsite Sanitary Sewer
Sta. 0+00 to Sta. 28+00

Scale: 1"=100'	Sheet No.: 2A of 12
-------------------	------------------------

RECORD DRAWING