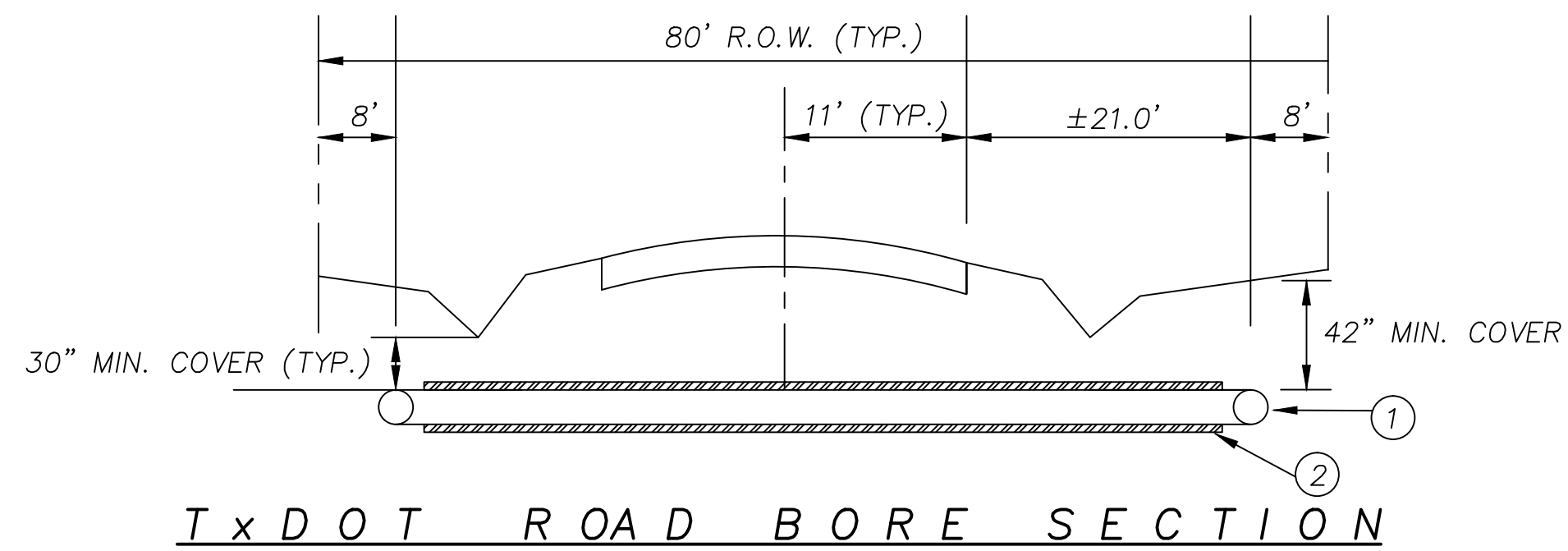
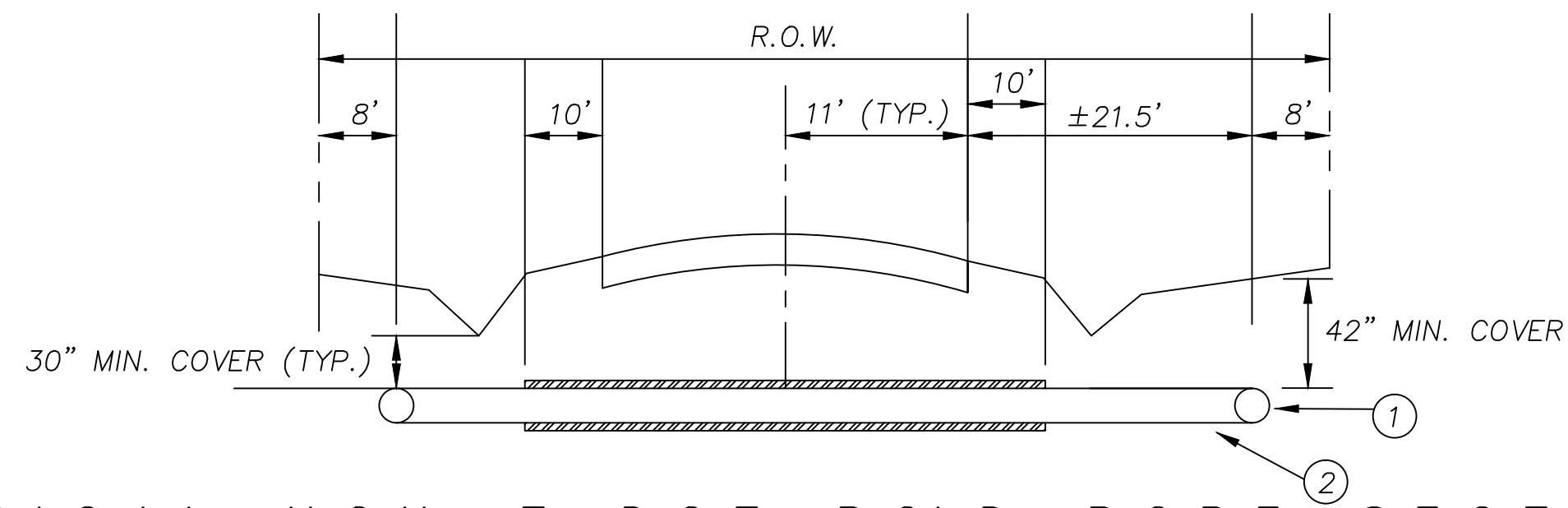


① 8" Sanitary Sewer Force Main (SDR 25 C900 GREEN PIPE). Min. 42 inches of cover from finished grade and minimum 30 inch cover from the bottom of road ditch to top of pipe.



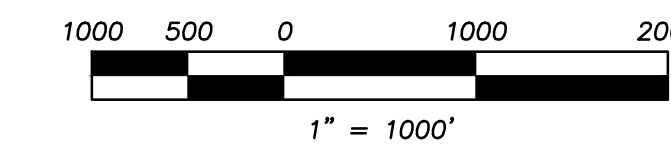
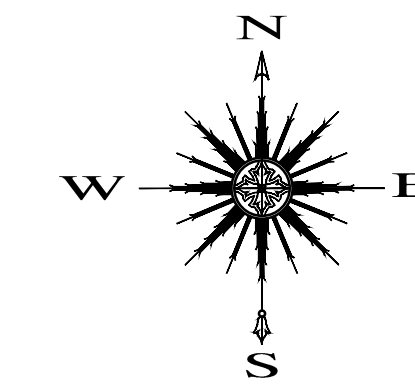
TxDOT ROAD BORE SECTION

① 8" Sanitary Sewer Force Main (SDR 25 C900 GREEN PIPE). Min. 42 inches of cover from finished grade and minimum 30 inch cover from the bottom of road ditch to top of pipe.
 ② 20" Steel encasement to be installed at FM 550 by dry bore.



TYPICAL NON-TxDOT ROAD BORE SECTION

① 8" Sanitary Sewer Force Main (SDR 25 C900 GREEN PIPE).
 ② 20" Steel encasement to be installed at road crossing by wet bore.



NOTE: RIGHT-OF-WAY INFORMATION OBTAINED FROM TxDOT ARCHIVES. ALL EXISTING RIGHT-OF-WAY WIDTHS WILL BE FIELD VERIFIED PRIOR TO CONSTRUCTION.

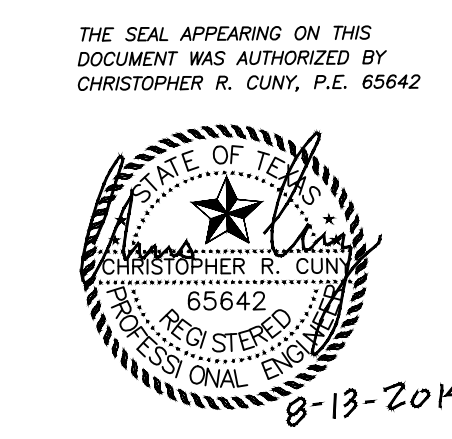


Revision	Date	Description

Owner:
City of McLendon-Chisholm
 1248 S. Hwy. 205 • McLendon-Chisholm, TX • 75032
 Phone: 972-524-2077

City of McLendon-Chisholm
SANITARY SEWER MAIN

F.C. CUNY CORPORATION
 #2 Horizon Court • Ste. 500 • Heath, Texas 75032
 Phone: 469-402-7700
 Fax: 469-402-0700
 Texas Registered Engineering Firm F. 7449



Drawn By: FC CUNY	Checked By: FC CUNY
Date: 12-12	Project No.: 08-007
Sheet Title: Offsite Sanitary Sewer Force Main Overall View	
Scale: 1"=1000'	Sheet No.: 1 of 12