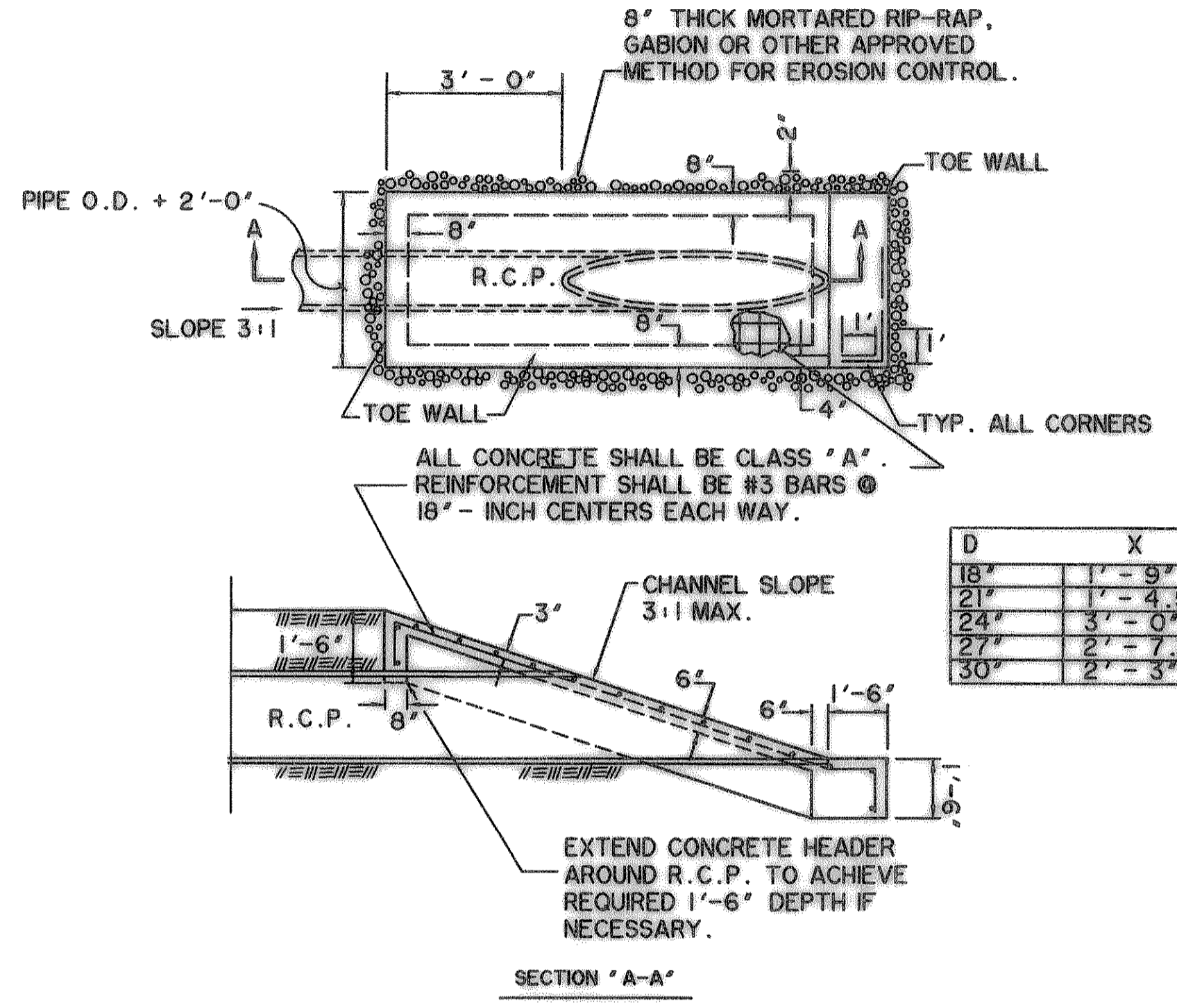
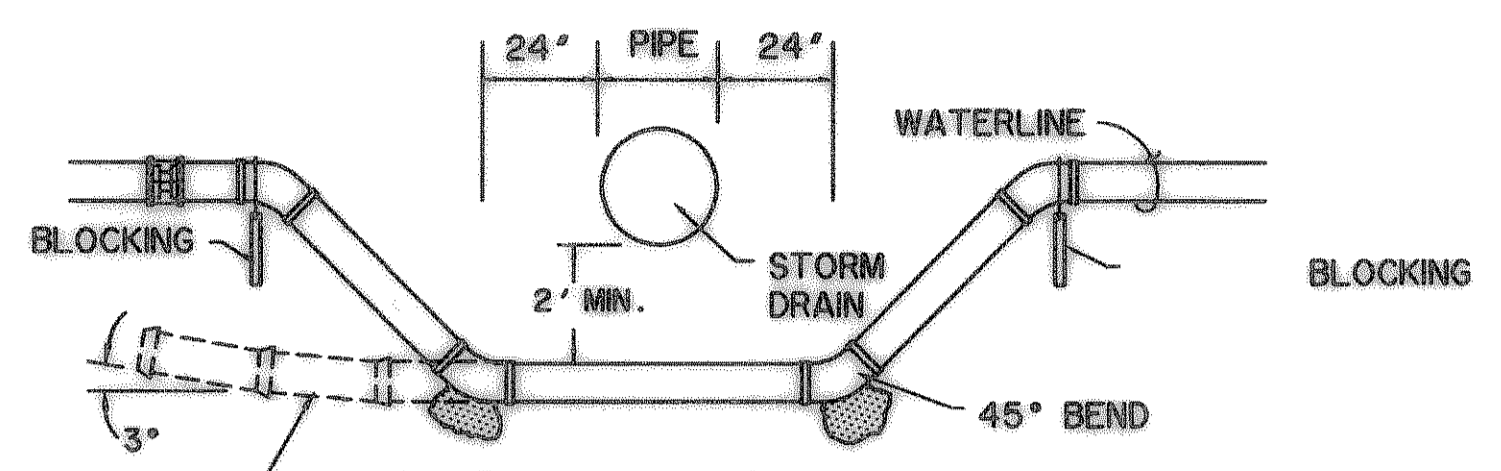


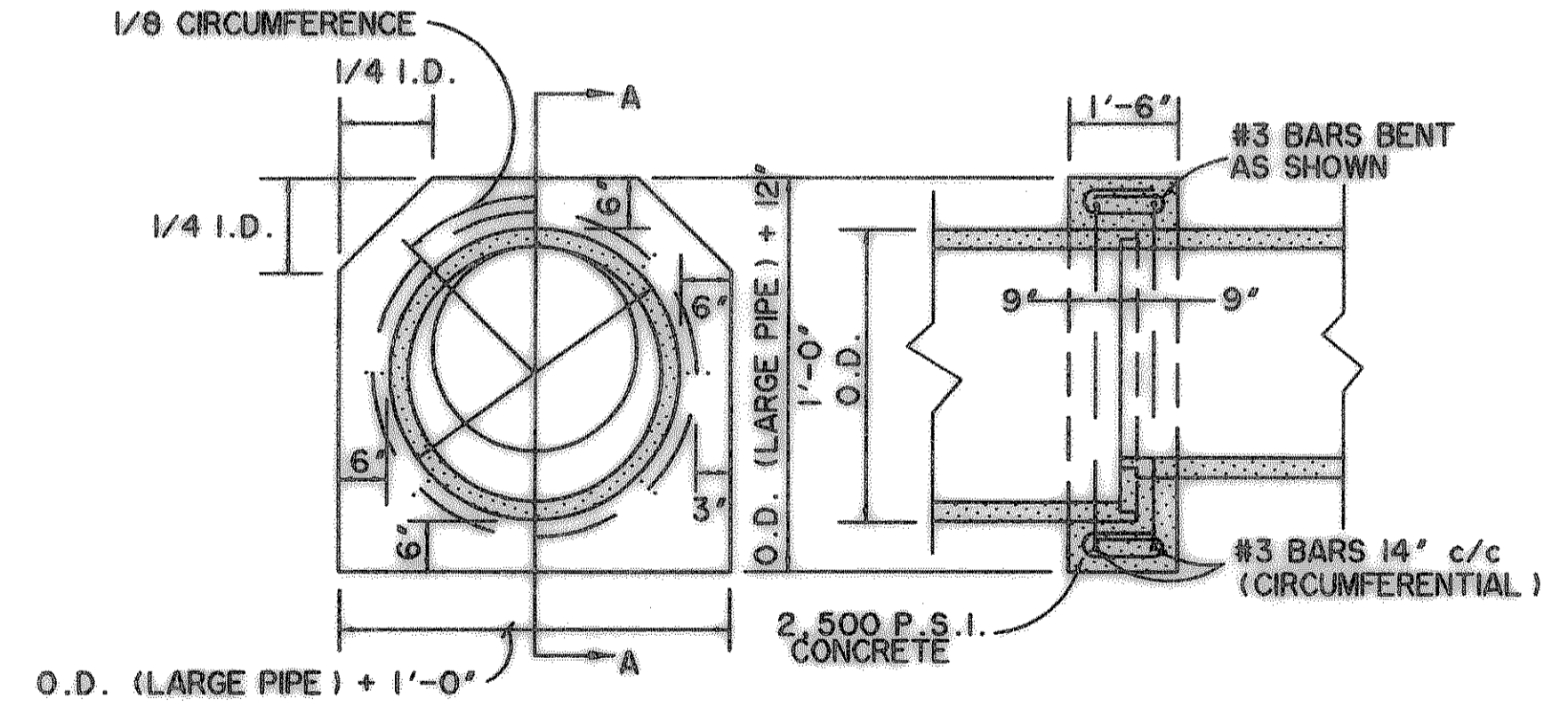
TIME 16:55 FILE: DR-DETAILS-PHI-04124.dwg



**SLOPE HEADWALL FOR DRIVEWAY CULVERT**  
N.T.S.



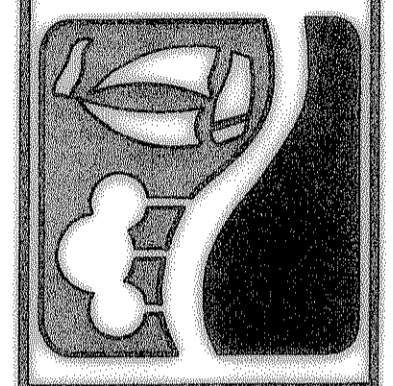
**STORM DRAIN CROSSING DETAIL**  
N.T.S.



**CONCRETE COLLAR**  
N.T.S.

**RECORD DRAWING**  
01/16/09

PREPARED BY:  
**VIA WIER & ASSOCIATES, INC.**  
ENGINEERS SURVEYORS LAND PLANNERS  
701 HIGHLANDER BLVD., SUITE 300 ARLINGTON, TEXAS 76015 METRO (817)467-7700  
6849 ELM STREET FRISCO, TEXAS 75034 METRO (214)387-8000  
www.viawierassociates.com



**CITY OF ROCKWALL**  
**TOWNSEND BLVD**  
(JUSTIN RD TO BOYDSTUN ST)  
& **BOYDSTUN ST**  
(TOWNSEND BLVD TO CLARK ST)

**DRAINAGE DETAILS**



Copyright ©  
WIER & ASSOCIATES, INC.  
LAST SHEET EDIT  
DATE 01-07-2009  
WAR 04124  
**SHEET NO. D301**