

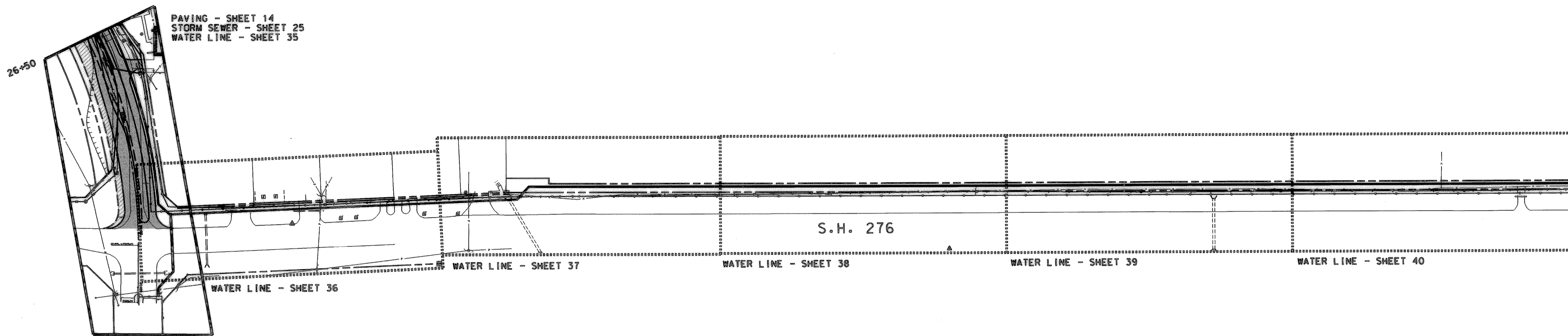
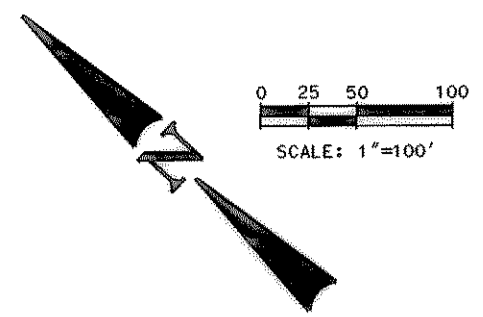
PAVING - SHEET 9  
STORM SEWER - SHEET 20  
WATER LINE - SHEET 31

PAVING - SHEET 10  
STORM SEWER - SHEET 21  
WATER LINE - SHEET 31A  
CULVERT - SHEET 29  
SAN. SEW. LINE "A" - SHEET 43

PAVING - SHEET 11  
STORM SEWER - SHEET 22  
WATER LINE - SHEET 32

PAVING - SHEET 12  
STORM SEWER - SHEET 23  
WATER LINE - SHEET 33

PAVING - SHEET 13  
STORM SEWER - SHEET 24  
WATER LINE - SHEET 34  
CULVERT - SHEET 30  
SAN. SEW. LINE "B" - SHEET 44



PAVING - SHEET 14  
STORM SEWER - SHEET 25  
WATER LINE - SHEET 35

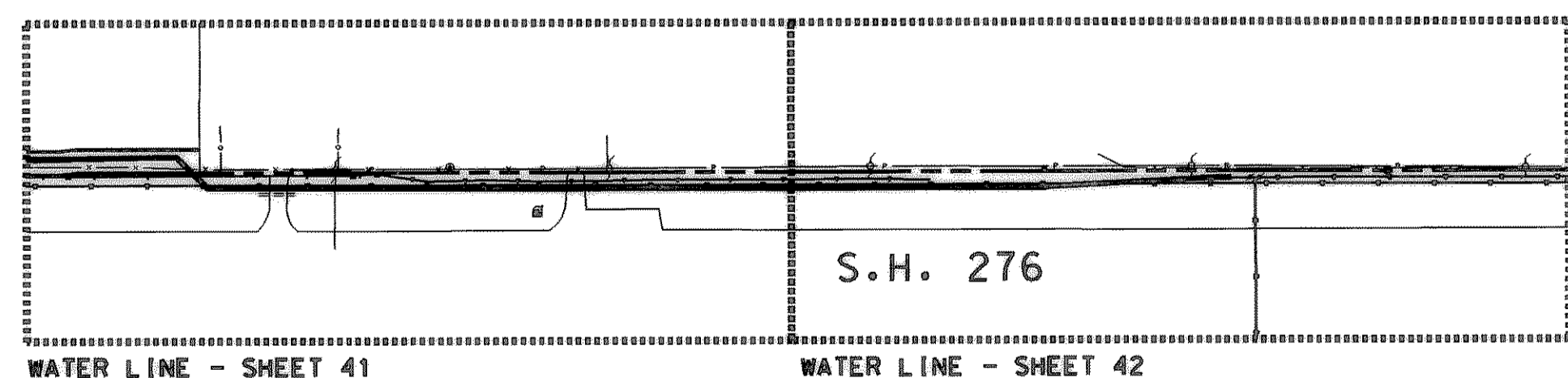
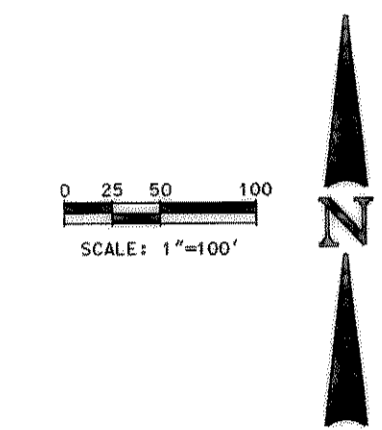
WATER LINE - SHEET 36

WATER LINE - SHEET 37

WATER LINE - SHEET 38

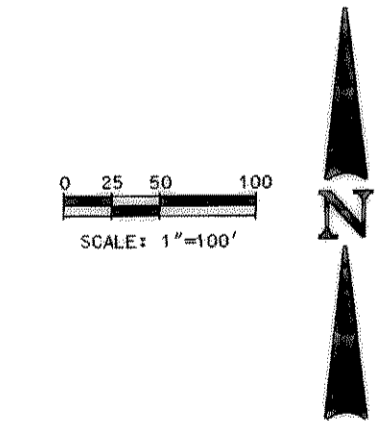
WATER LINE - SHEET 39

WATER LINE - SHEET 40



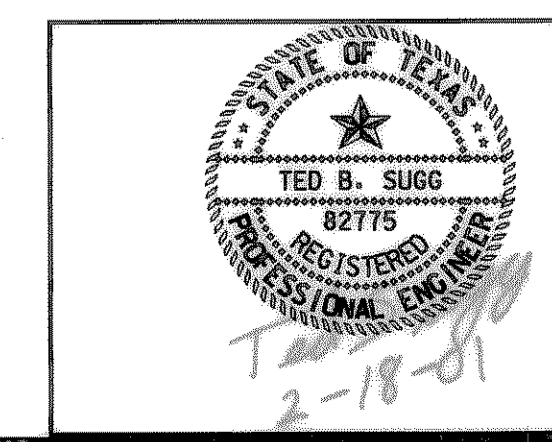
WATER LINE - SHEET 41

WATER LINE - SHEET 42



**RECORD DRAWINGS**  
These record drawings have been prepared using information provided by the Construction Contractor and/or Owner. The seal and signature below only signifies that the plans have been revised in accordance with the information provided and does not guarantee that these plans accurately show every detail of the constructed project.

*Turner Collie & Braden Inc. 4-2002*  
Signature Date



NO.	DATE	REVISION	APPROV.
4			
3			
2			
1			

**CITY OF ROCKWALL**  
"THE NEW HORIZON"

TOWNSEND DRIVE

PROJECT LAYOUT

**Turner Collie & Braden Inc.**  
ENGINEERS • PLANNERS • PROJECT MANAGERS

Unit	A123	Scale	Horz. 1"=100'	Vert.		Date	FEBRUARY, 2001
Designed	VVS	Checked	TBS	Job No.	15-00925-200		
Drawn	GBA	Approved	RCF	Sheet	T of T2		