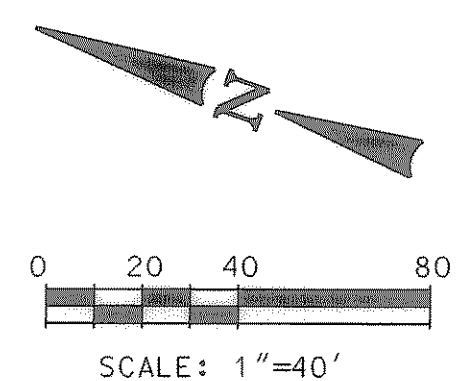


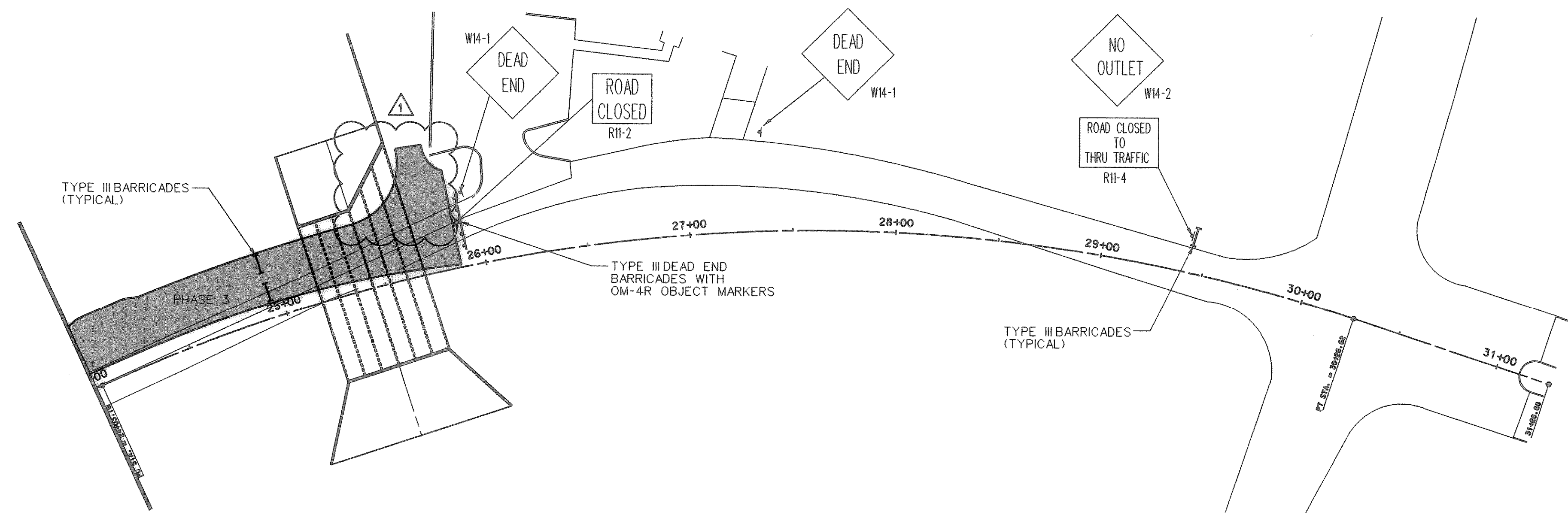
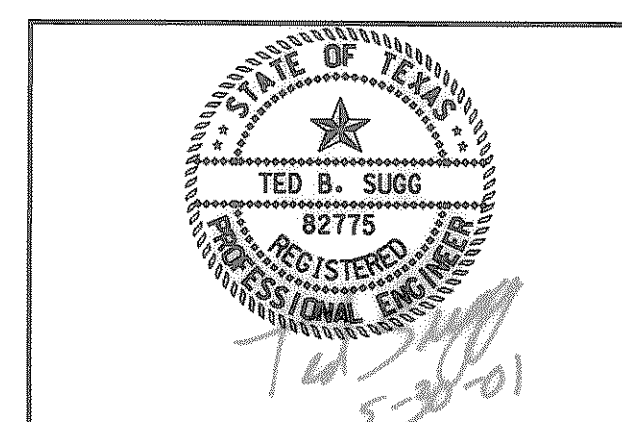
RECORD DRAWINGS
 These record drawings have been prepared using information provided by the Construction Contractor and/or Owner. The seal and signature below only signifies that the plans have been revised in accordance with the information provided and does not guarantee that these plans accurately show every detail of the constructed project.

Signature 4-2-02
 Date



PHASE III

- LEGEND
- CONSTRUCTION THIS PHASE
 - CONSTRUCTION PREVIOUS PHASE



4			
3			
2			
1	5/24	ADDED DRIVEWAY	
NO.	DATE	REVISION	APPROV.
CITY OF ROCKWALL "THE NEW HORIZON"			
TOWNSEND DRIVE CONSTRUCTION PHASING - PHASE 3			
Turner Collie & Braden Inc. ENGINEERS • PLANNERS • PROJECT MANAGERS			
Unit	A123	Scale: Horiz. 1"=40'	Date: FEBRUARY, 2001
Designed	VYS	Checked: TBS	Job No. 15-00925-200
Drawn	GBA	Approved: RCR	Sheet 48 of 72

P:\Rockwall\Townsend Drive\Drawings\Phase1\Townsend_Phase3.dgn