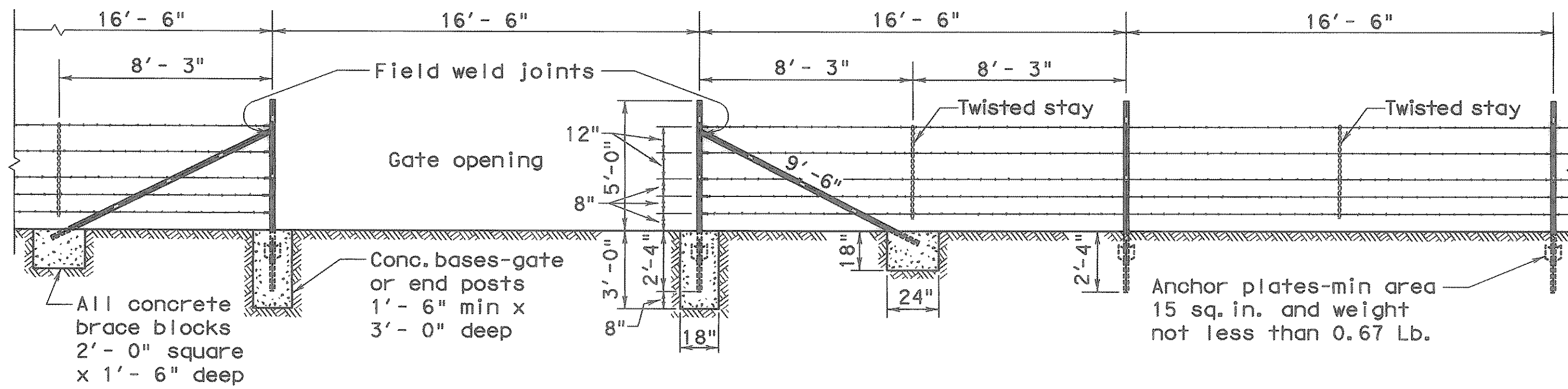
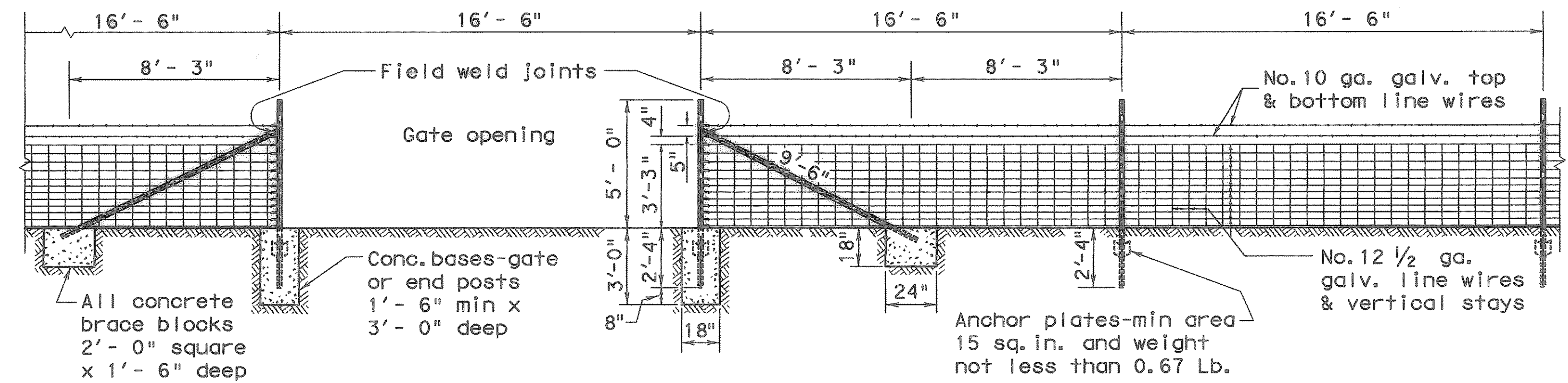


DISCLAIMER: The use of this standard is governed by the "Texas Engineering Practice Act". No warranty of any kind is made by TxDOT for any purpose whatsoever. TxDOT assumes no responsibility for the conversion of this standard to other formats or for incorrect results or damages resulting from its use.

LEVELS DISPLAYED

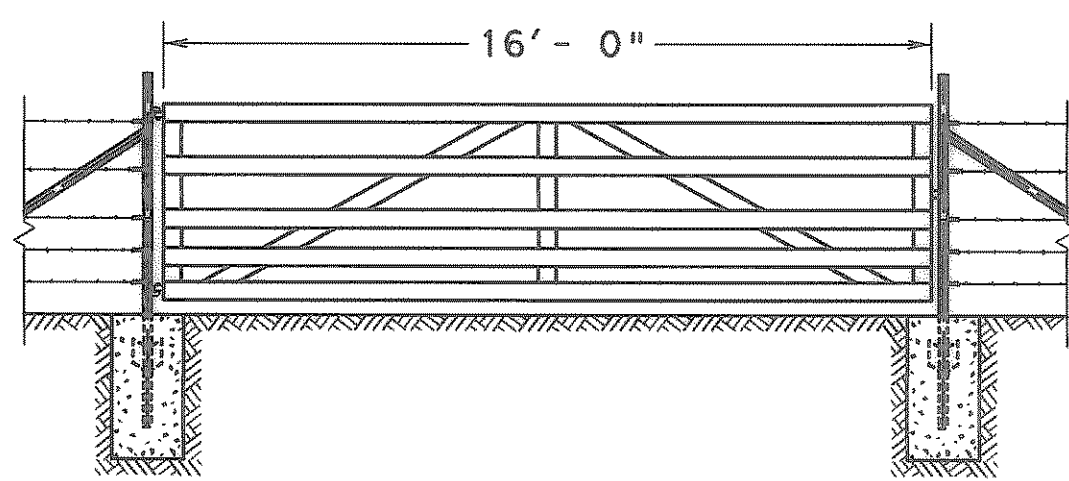


SECTION GALVANIZED BARBED WIRE FENCE WITH METAL POSTS  
BRACING DETAIL USED AT ENDS AND GATES  
TYPE "C" FENCE

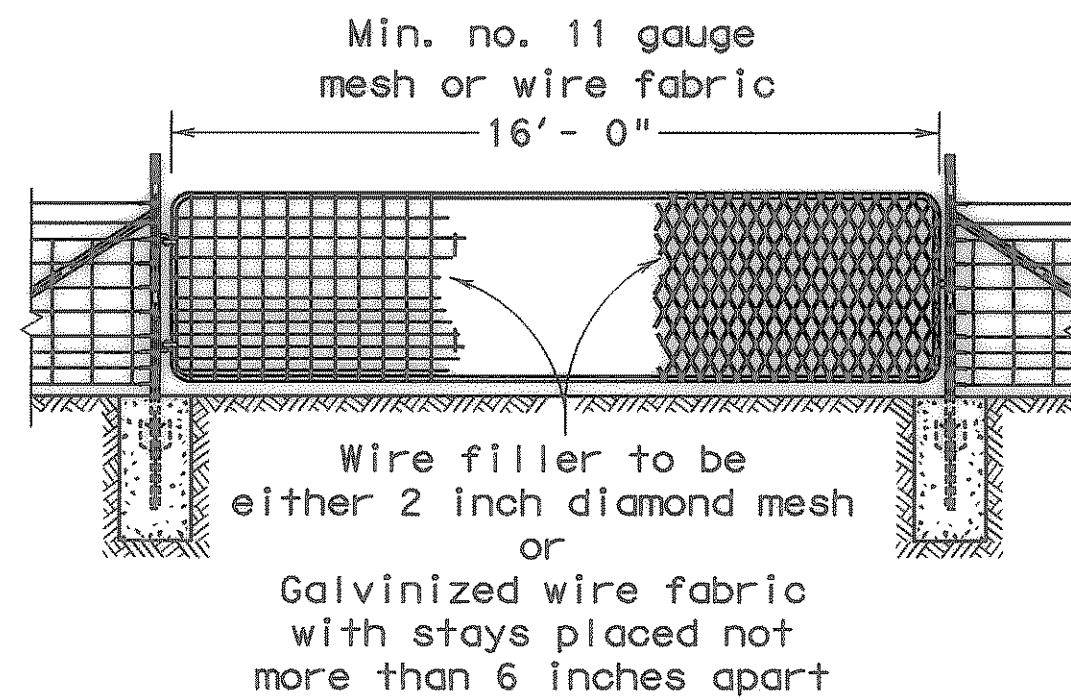


SECTION GALVANIZED WOVEN WIRE FENCE WITH METAL POSTS  
BRACING DETAIL USED AT ENDS AND GATES  
TYPE "D" FENCE

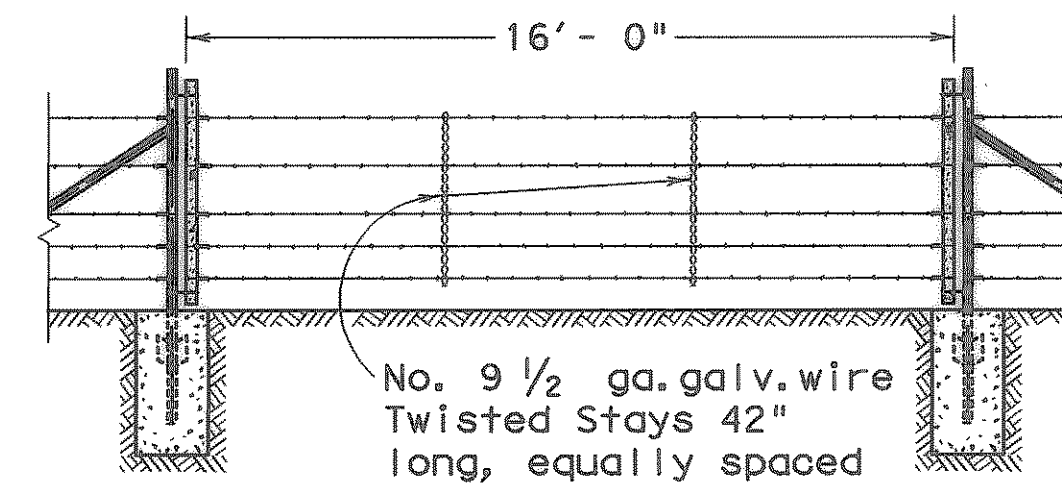
Metal gate shall consist of 5 panels not less than 4'-4" high and shall be aluminum or galvanized metal and of good quality. Gate and hardware shall meet the approval of the engineer.



DETAIL TYPE 1 GATE



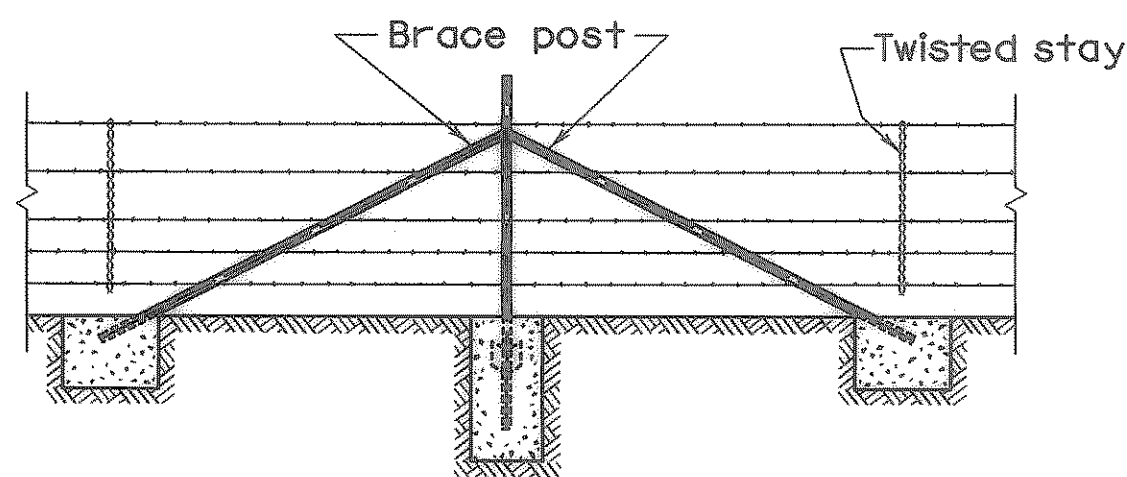
DETAIL TYPE 2 GATE



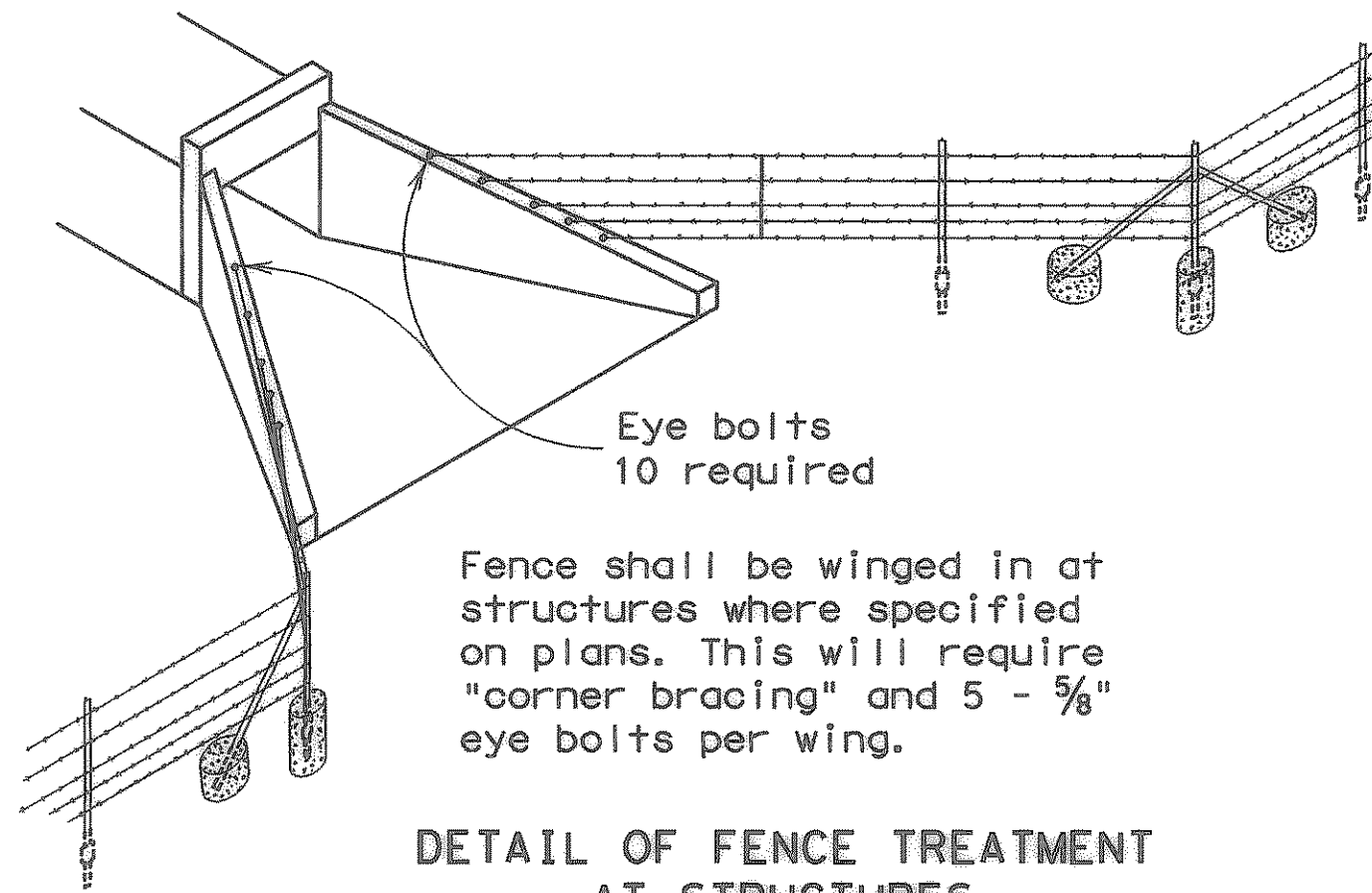
DETAIL TYPE 3 GATE

GENERAL NOTES

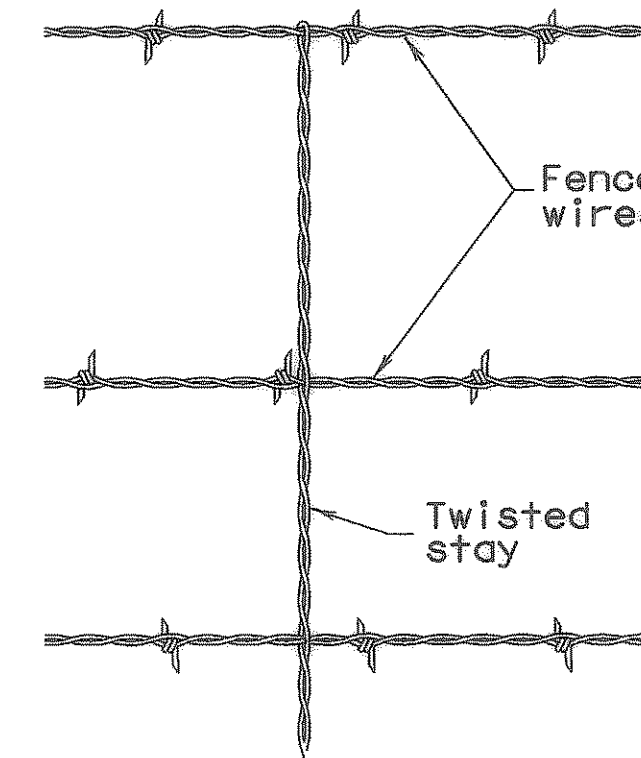
- Any high point which interferes with the placing of wire mesh shall be excavated to provide a 2 inch clearance.
- Latches for Type 1 and Type 2 gates shall be good commercial quality and design latch of the spring, fork or chain type. All latches shall be suitable to the gate and shall be approved by the Engineer.
- Concrete shall be of the design and consistency approved by the Engineer and shall contain not less than 4 sacks of cement per cubic yard.
- Hinges for Type 2 gates shall be a commercial design approved by the Engineer suitable for post and gate.
- Anchor plates shall be of a design and thickness sufficient to prevent turning of the post in firm soil. Metal end, corner and pull post shall be a minimum of 2 inch inside diameter pipe minimum (3.65 lbs./lin.ft.) with minimum 1 1/4 inch inside diameter pipe brace minimum (2.27 lbs./lin.ft.), minimum 2 1/2" x 2 1/2" x 1/4" angle (4.1 lbs./lin.ft.) with minimum 2" x 2" x 1/4" angle brace (3.19 lbs./lin.ft.) or other section approved by the Engineer. Fasteners for securing barbed wire or wire mesh to metal posts shall be a minimum of 11 gauge galvanized steel wire. Tubular posts shall be fitted with water tight malleable iron caps.
- Metal line posts shall be not less than 6'-6" in length and shall weigh not less than (1.33 lbs./lin.ft.).
- The location of gates and corner posts will be as indicated elsewhere in these plans.



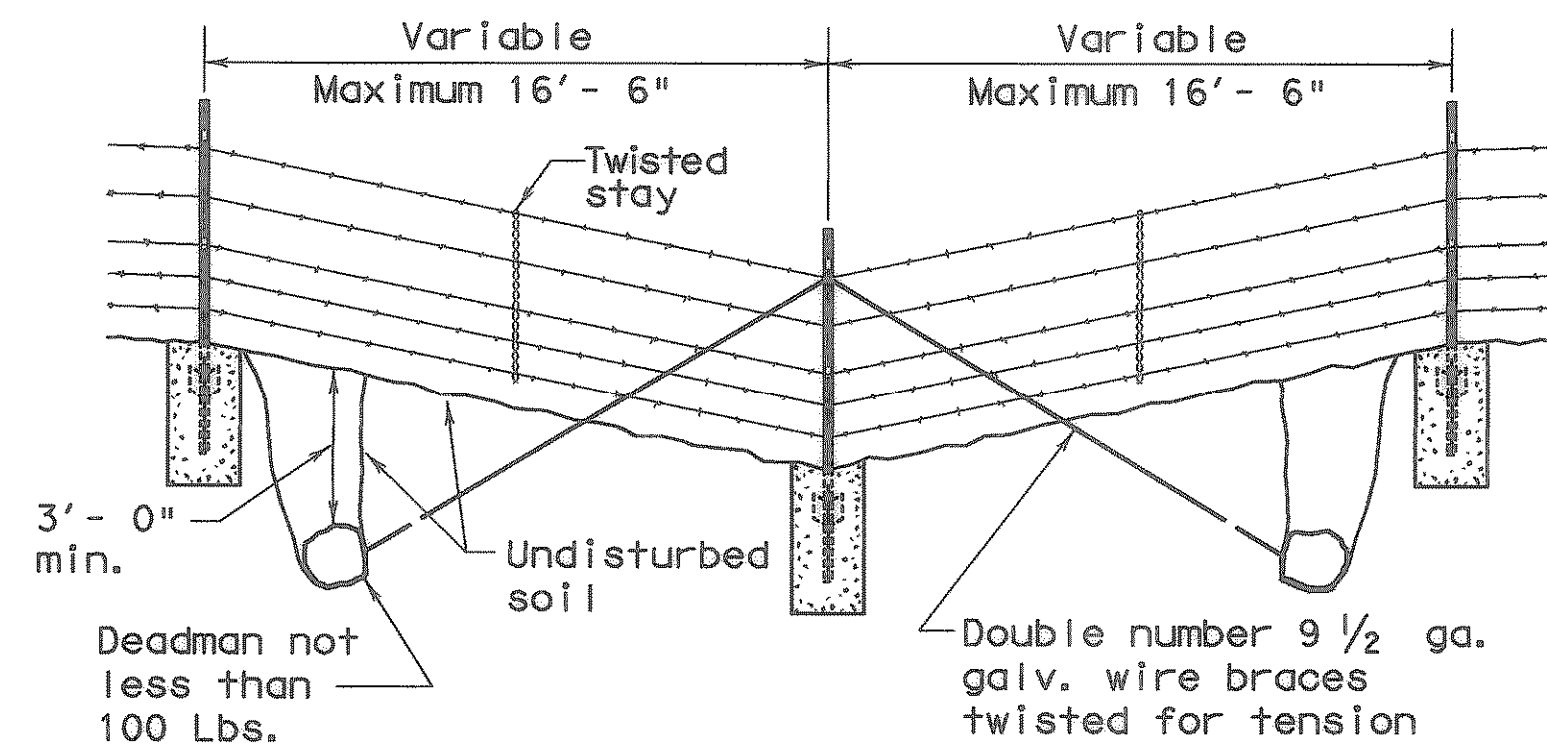
CORNER OR PULL POST ASSEMBLY



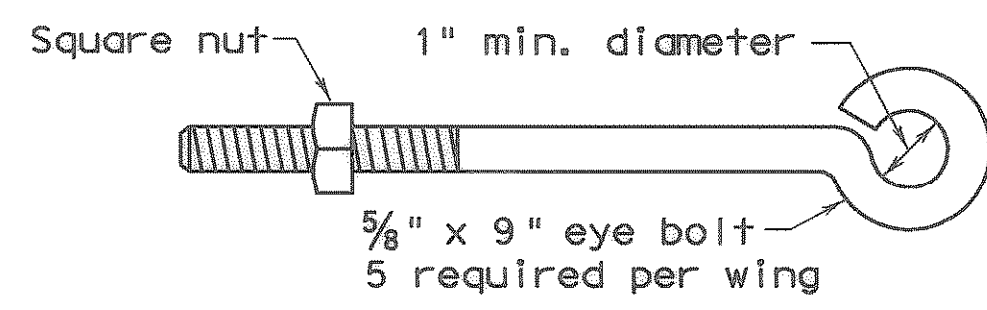
DETAIL OF FENCE TREATMENT AT STRUCTURES



DETAIL OF STAY



DETAIL OF FENCE SAG



DETAIL OF EYE BOLT

RECORD DRAWINGS

These record drawings have been prepared using information provided by the Construction Contractor and/or Owner. The seal and signature below only signifies that the plans have been revised in accordance with the information provided and does not guarantee that these plans accurately show every detail of the constructed project.

*Design Line* 4-2002  
Signature Date

Texas Department of Transportation  
Design Division (Roadway)

**BARBED WIRE FENCE AND WOVEN WIRE FENCE STEEL POSTS WF (2) - 96**

FILE: WF296.DGN	DN: MAM	CK: MAM	DW: BGD	CK:	NEG:
© TxDOT 1996		DIST	FED REC	FEDERAL AID PROJECT	
REVISIONS		6			
		COUNTY	CONTROL	SECT	JOB
					HIGHWAY