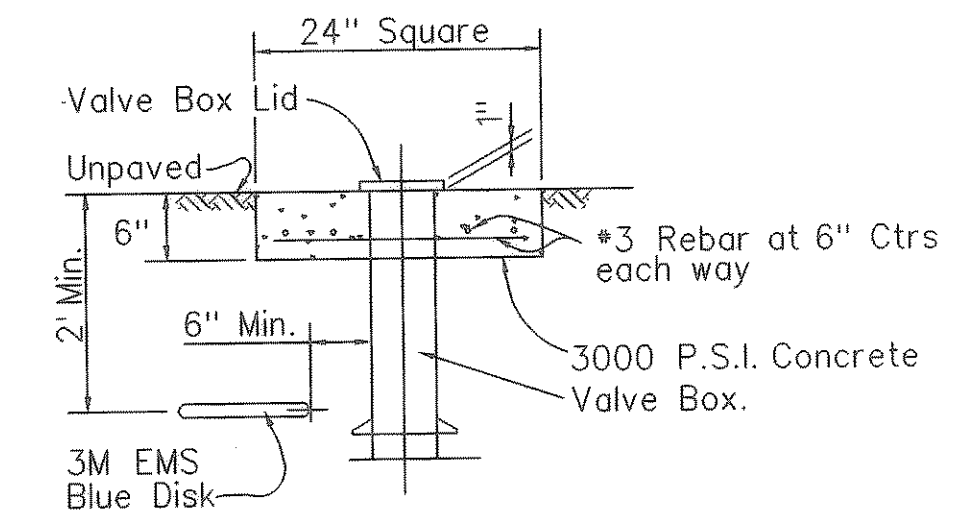
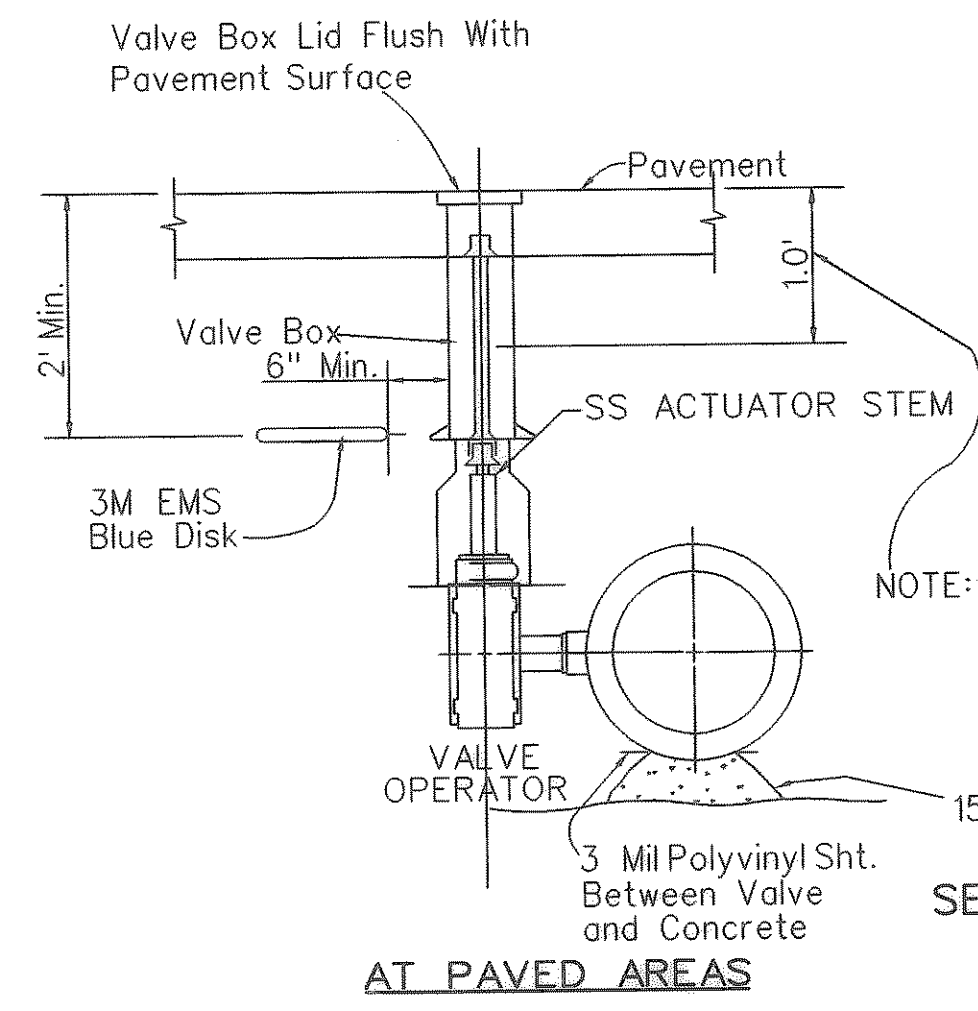


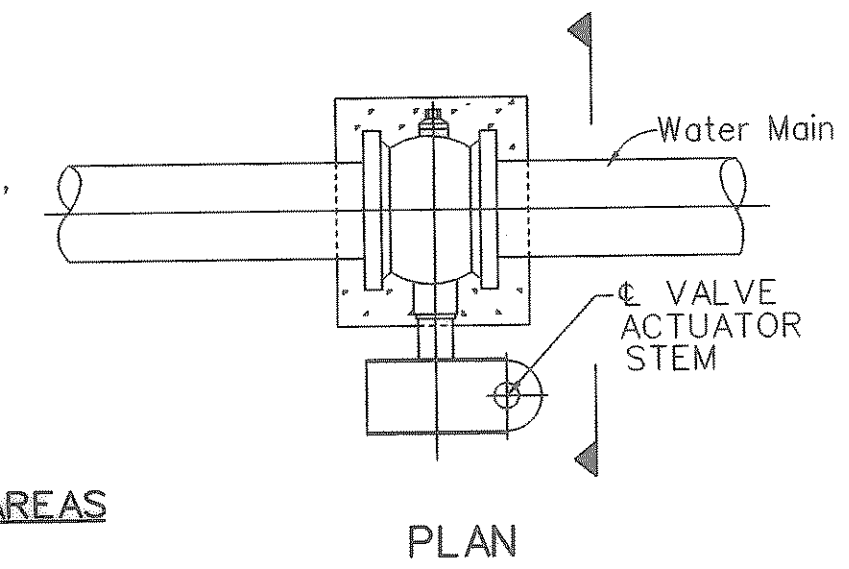
NOTE: If Valve Operating Nut Is More Than 3' Below Pavement Surface, Provide Extension Stem to 1' Below Pavement Surface.

TYPICAL GATE VALVE AND BOX EXTENSION STEM DETAIL
Not To Scale



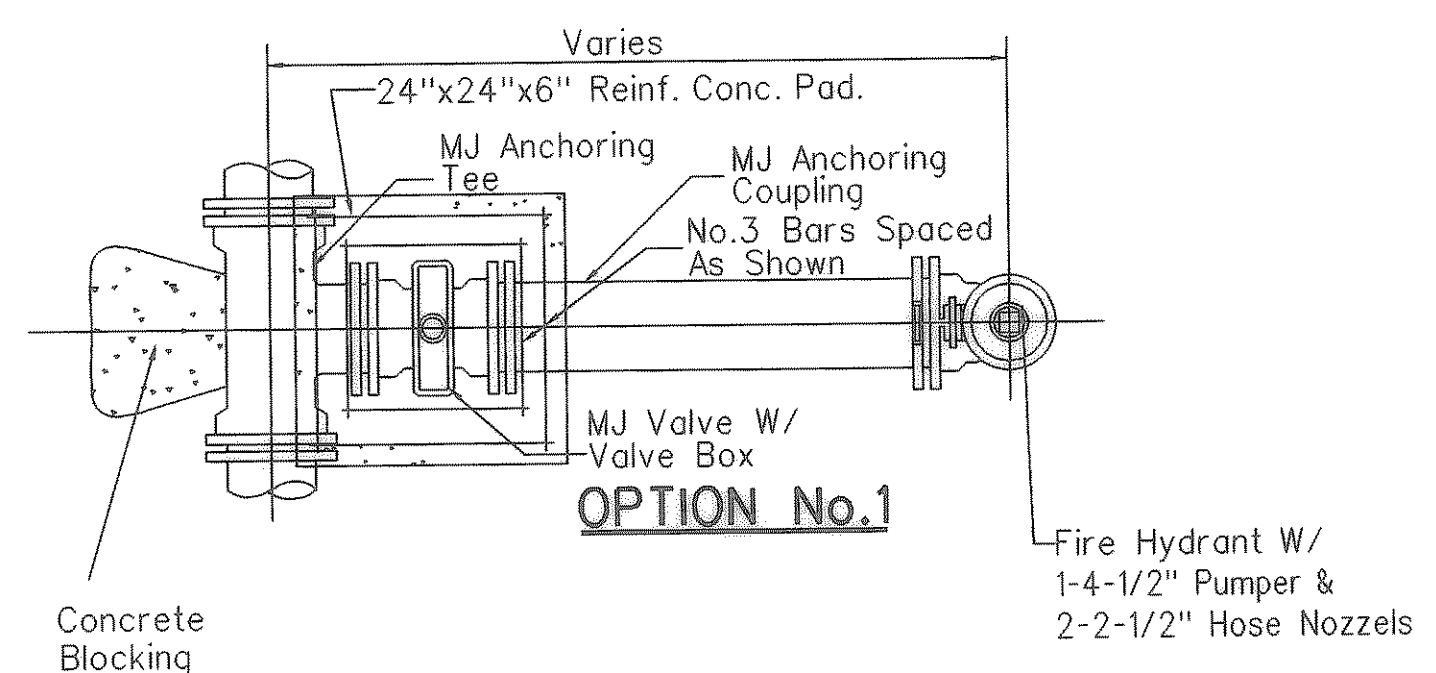
NOTE: If Valve Operating Nut Is More Than 3' Below Pavement Surface, Provide Extension Stem to 1' Below Pavement Surface.

SECTION



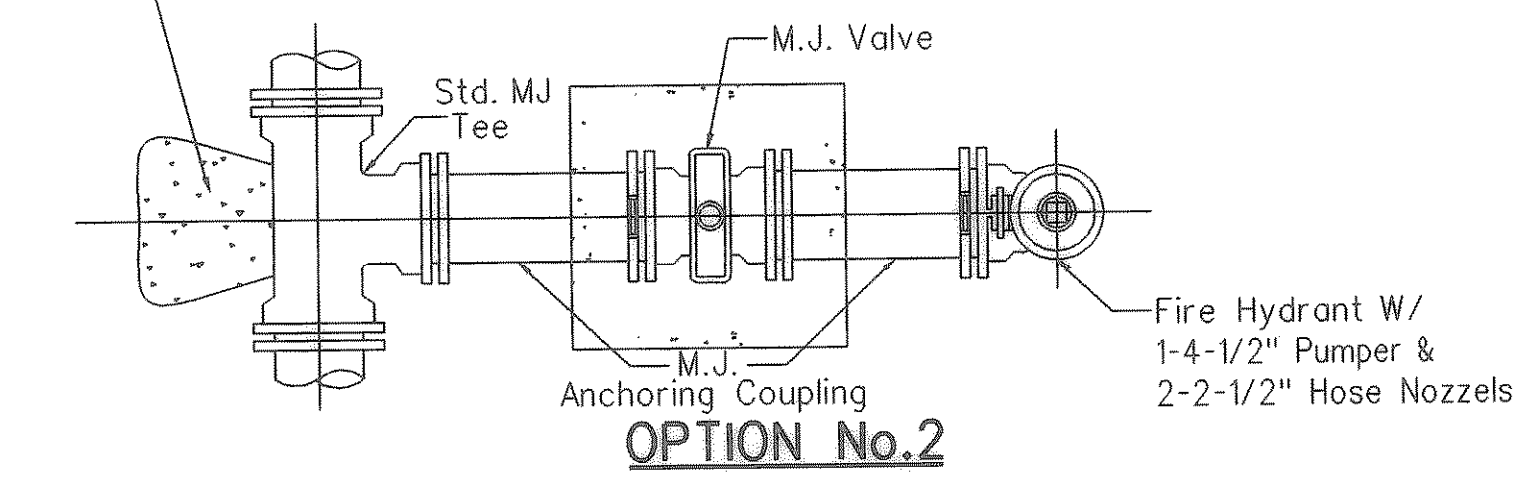
PLAN

BUTTERFLY VALVE INSTALLATION AND EXTENSION STEM DETAIL
Not To Scale



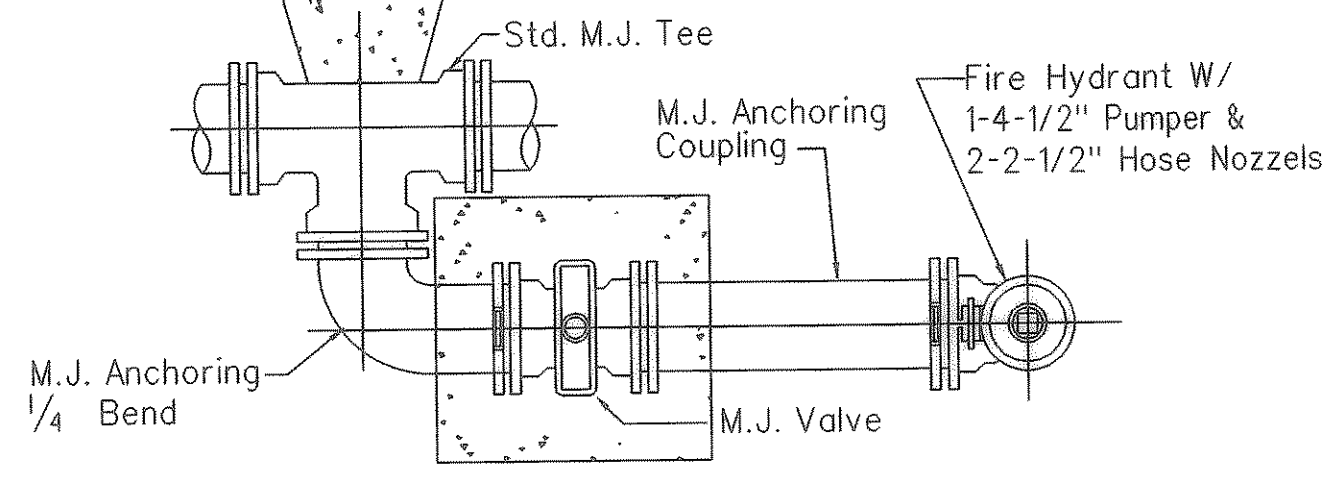
Concrete Blocking

Fire Hydrant W/
1-4-1/2" Pumper &
2-2-1/2" Hose Nozzels



Concrete Blocking

Fire Hydrant W/
1-4-1/2" Pumper &
2-2-1/2" Hose Nozzels



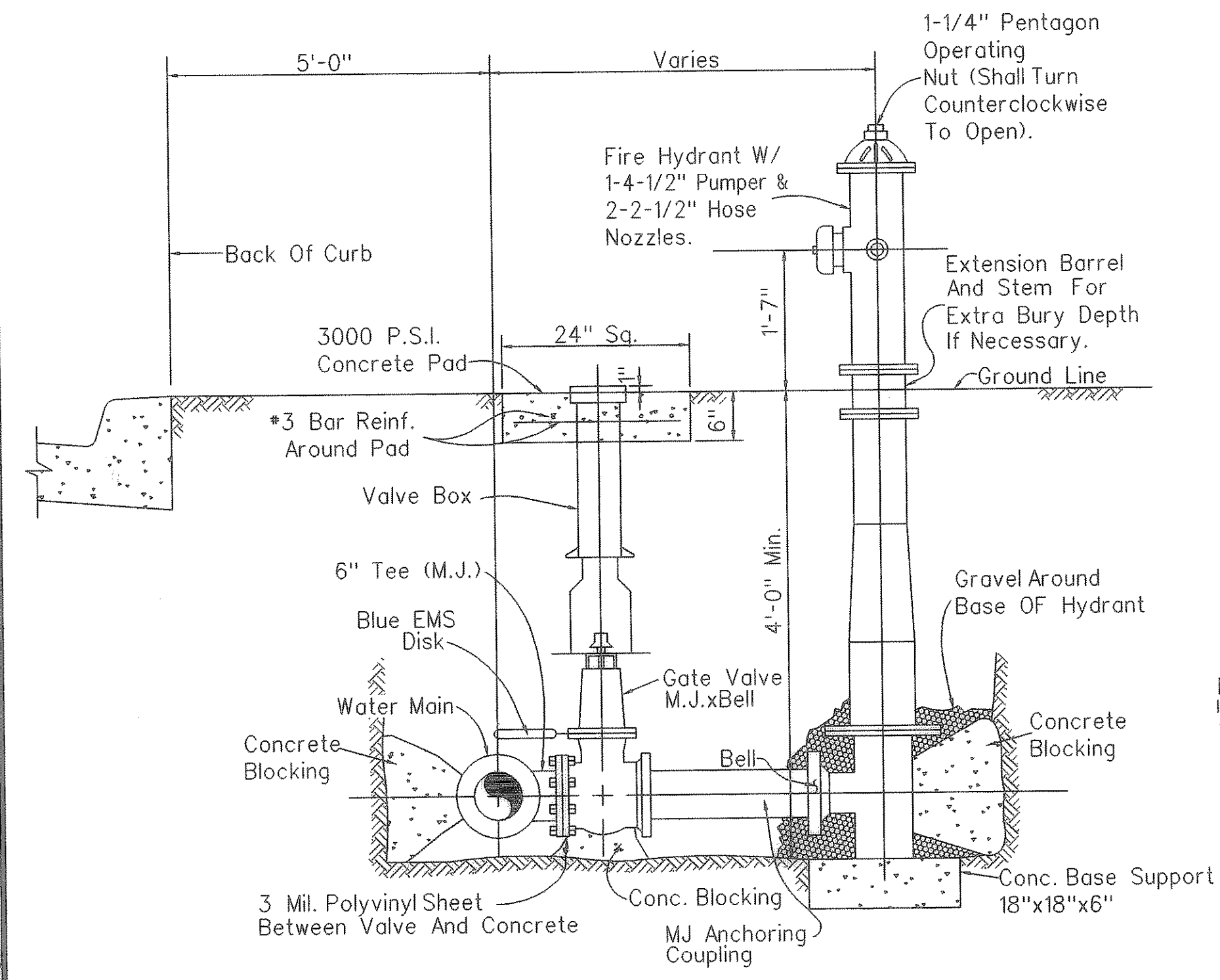
Concrete Blocking

Fire Hydrant W/
1-4-1/2" Pumper &
2-2-1/2" Hose Nozzels

PLAN VIEW
Not To Scale

NOTE: REFER TO NORTH CENTRAL TEXAS STANDARD SPECIFICATIONS FOR PUBLIC WORKS CONSTRUCTION THIRD EDITION STANDARD DRAWING 4-100A, AIR RELEASE VALVE TYPE "2".

COMBINATION AIR RELEASE VALVE AND VALVE BOX DETAIL



TYPICAL FIRE HYDRANT INSTALLATION
Not To Scale

NOTE: FIRE HYDRANT IS TO BE INSTALLED AT EXISTING GROUND LINE. VALVE BOX EXTENSIONS, OPERATING NUT EXTENSIONS, FIRE HYDRANT BARREL EXTENSIONS AND ANY OTHER APPURTENANCES REQUIRED TO INSTALL FIRE HYDRANT AT EXISTING GROUND LINE WILL BE AT NO EXTRA PAY ITEM.

RECORD DRAWINGS
These record drawings have been prepared using information provided by the Construction Contractor and/or Owner. The seal and signature below only signifies that the plans have been revised in accordance with the information provided and does not guarantee that these plans accurately show every detail of the constructed project.

Signature 4-2-02
Date

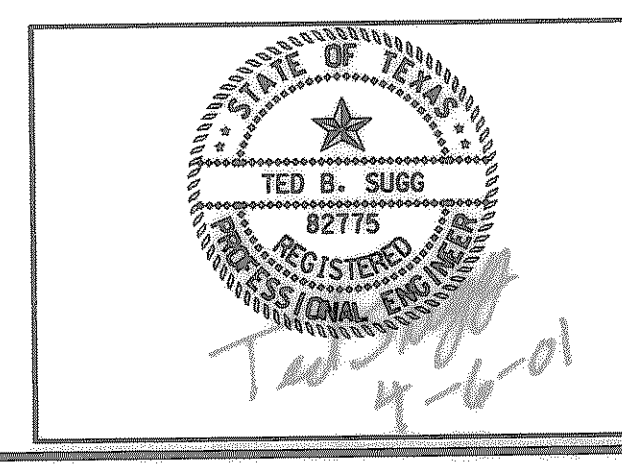
4			
3			
2			
1	2/27	ADDENDUM - DETAIL REPLACED	APPROV.

CITY OF ROCKWALL
"THE NEW HORIZON"

TOWNSEND DRIVE

STANDARD WATER DETAILS

TurnerCollie & Braden Inc.
ENGINEERS • PLANNERS • PROJECT MANAGERS



Unit	A123	Scale	Horz. 1"=20'	Vert. 1"=4'	Date	FEBRUARY, 2001
Designed	VVS	Checked	TBS	Job No.	15-00925-200	
Drawn	GBA	Approved	RCR	Sheet	54 of 72	

P:\Rockwall\Townsend Drive\Drawings\Phase1\Townsend-Detail-1.dwg