



THE CITY OF ROCKWALL, TEXAS
"THE NEW HORIZON"

FILE COPY

SUMMER LEE DRIVE EXTENSION - EAST
FROM OAK DRIVE TO RIDGE ROAD (FM 740)

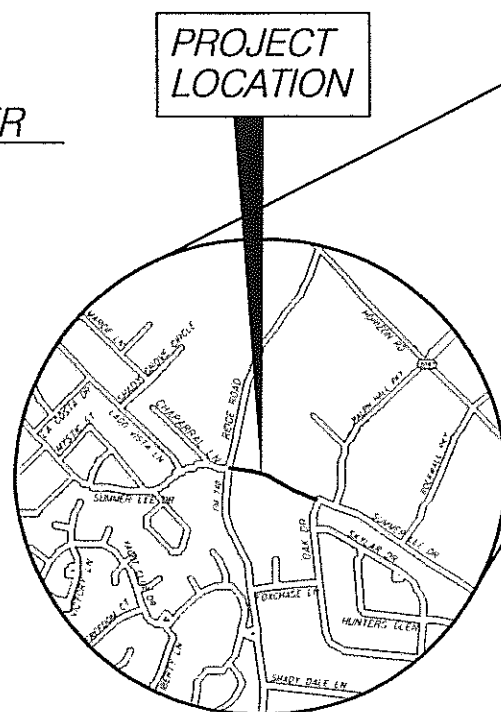
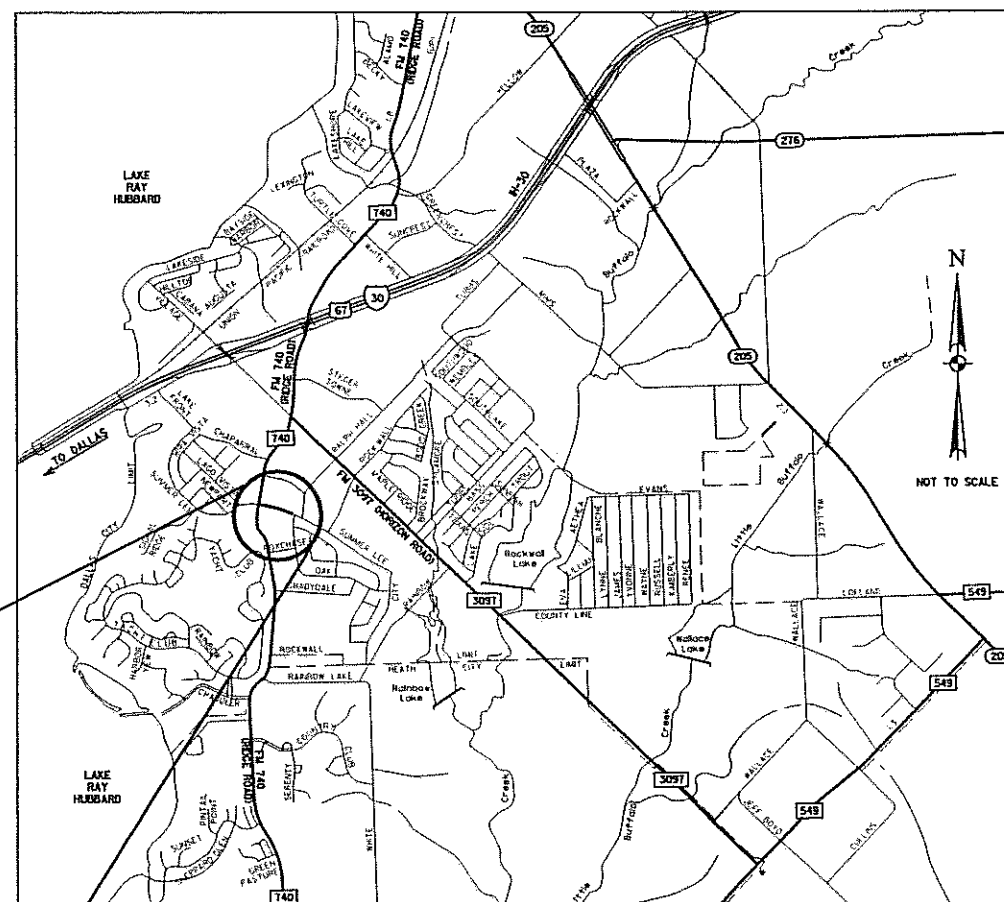
TOTAL LENGTH: 811.50 LF

MAYOR
Bill Cecil

MAYOR PRO-TEM
Bob Cotti

CITY COUNCIL
Tim McCallum
Stephen Straughan
John King
Matt Scott
Margo Nielson

CITY MANAGER
Julie Couch



INDEX OF DRAWINGS

| SHEET NO. | TITLE |
|-----------|--|
| 1 | COVER SHEET |
| 2 | TYPICAL SECTION AND DETAILS |
| 3 | PROJECT AND RIGHT OF WAY LAYOUT |
| 4 | GENERAL NOTES |
| 5 | PAVEMENT PLAN AND PROFILE STA 0+00 TO STA 4+00 |
| 6 | PAVEMENT PLAN AND PROFILE STA 4+00 TO STA 8+00 |
| 7 | PAVEMENT PLAN AND PROFILE STA 8+00 TO END |
| 8 | STANDARD WATER DETAILS |
| 9 | DRAINAGE AREA MAP |
| 10 | DRAINAGE PLAN AND PROFILE |
| 11 | SUMMER LEE DRIVE AND FM 740 INTERSECTION MODIFICATIONS |
| 12 | STORM WATER POLLUTION PREVENTION PLAN |
| 13-14 | STANDARD TxDOT DETAILS |

THE TxDOT STANDARD SHEETS SPECIFICALLY IDENTIFIED ABOVE HAVE BEEN SELECTED BY ME OR UNDER MY RESPONSIBLE SUPERVISION AS BEING APPLICABLE TO THIS PROJECT.

R. BRENTON DUNN, P.E. DATE 1-4-06

TCB | AECOM

TURNER COLLIE & BRADEN
17300 DALLAS PARKWAY, SUITE 1010
DALLAS, TEXAS 75248-1157
WWW.TCB.AECOM.COM

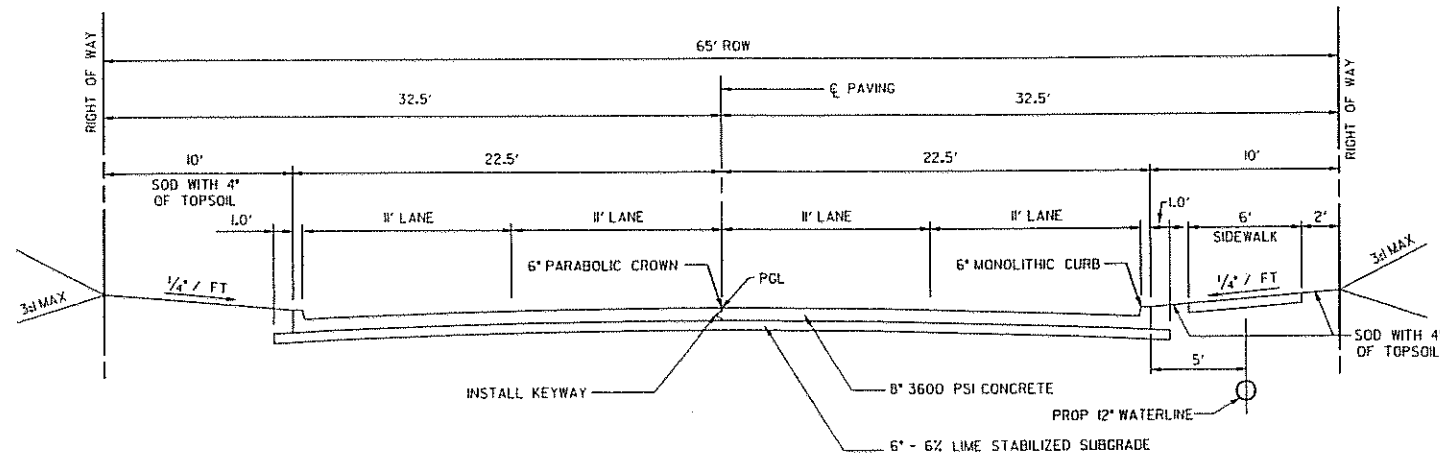
JANUARY 2006
TCB PROJECT No. 60002699.02000



APPROVED FOR
CONSTRUCTION

NOV 30 2006

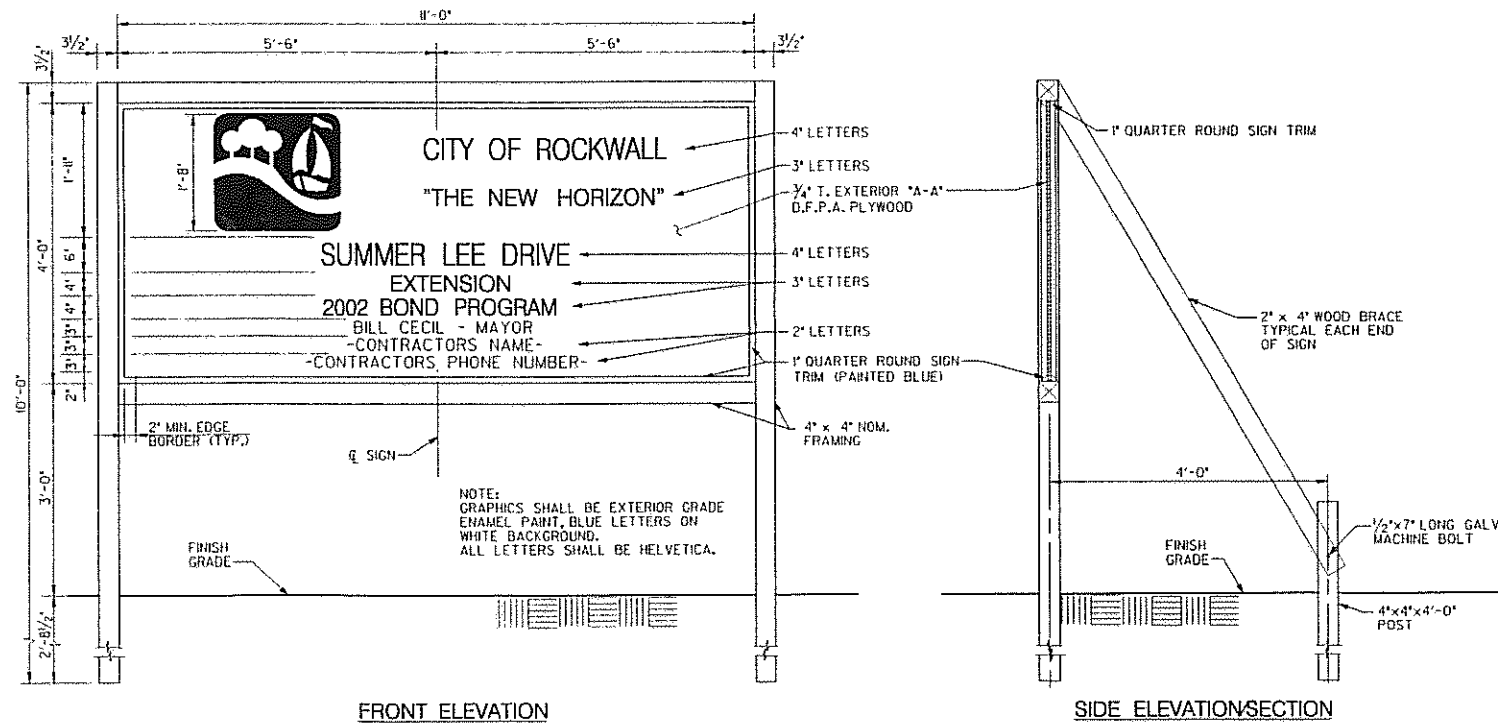
R. Brenton Dunn
1-4-06 City of Rockwall Engineering Dept.
City Engineer: CT



**SUMMER LEE DRIVE
TYPICAL ROADWAY SECTION**
1"=5'

PAVING GENERAL NOTES:

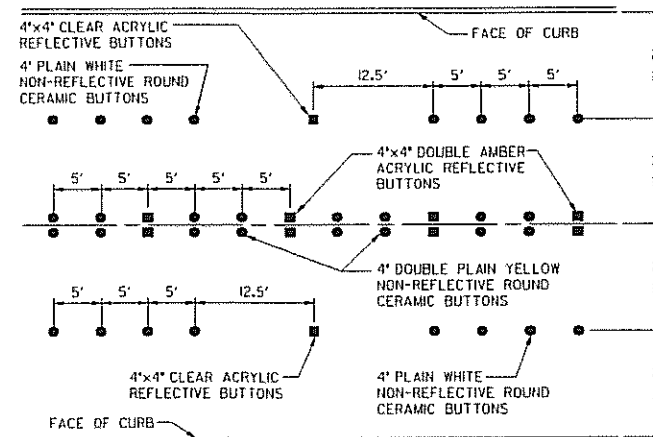
1. ALL WORK AND MATERIALS, UNLESS OTHERWISE NOTED, SHALL CONFORM TO THE STANDARD SPECIFICATIONS AND DRAWINGS FOR THE CITY OF ROCKWALL.
2. ALL PAVEMENT SHALL BE A MINIMUM OF 28 DAY, 3600 PSI 8" THICK REINFORCED CONCRETE PAVEMENT ON 6" THICK 6% LIME STABILIZED SUBGRADE AND SHALL CONFORM TO THE CITY OF ROCKWALL STANDARDS. IF HAND POURED, CONTRACTOR SHALL INCREASE CEMENT CONTENT BY 1/2 SACK (MIR) PER CUBIC YARD.
3. THE CONTRACTOR SHALL FURNISH A MAINTENANCE BOND TO THE CITY TO RUN TWO (2) YEARS FROM THE DATE OF ACCEPTANCE OF THE PAVING IMPROVEMENTS.
4. CONTRACTOR SHALL BE RESPONSIBLE FOR PROVIDING 'RECORD DRAWINGS' PLANS TO THE ENGINEER.
5. THE HORIZONTAL AND VERTICAL LOCATIONS OF EXISTING SUBSURFACE UTILITIES HAVE BEEN DETERMINED FROM RECORD DRAWINGS. THE CONTRACTOR SHALL VERIFY THE LOCATION OF ALL EXISTING UTILITIES PRIOR TO THE START OF CONSTRUCTION AND NOTIFY THE ENGINEER AT ONCE OF ANY POTENTIAL DISCREPANCY.
6. PAVEMENT SHALL BE REINFORCED WITH No. 3 BARS @ 24" CENTERS IN BOTH DIRECTIONS, ACCORDING TO THE CITY OF ROCKWALL STANDARD DRAWINGS.
7. PLACE MINIMUM 4" TOPSOIL FROM ON SITE SOURCE IN PARK WAYS, SLOPES, AND DISTURBED AREAS. HYDROMULCH SEED WITH BERMUDA GRASS PER SPECIFICATIONS WHERE SPECIFIED.
 - A. THE PROJECT WILL NOT BE ACCEPTED UNTIL A STAND OF GRASS HAS BEEN ESTABLISHED.
 - B. WATER AND FERTILIZER IS REQUIRED AND SHALL BE ADMINISTERED BY THE CONTRACTOR AT NO ADDITIONAL COST.
8. ALL FILLS SHALL BE COMPACTED TO 95% MINIMUM PROCTOR DENSITY. FILLS SHALL BE PLACED IN 8" LIFTS, AND COMPACTION SHALL BE ACCOMPLISHED BY THE USE OF A SHEEPS-FOOT ROLLER.
9. SIDEWALK SHALL CONFORM TO THE CITY OF ROCKWALL STANDARD DRAWINGS.



FRONT ELEVATION

SIDE ELEVATION SECTION

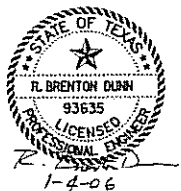
CONSTRUCTION SIGN
N.T.S.



**APPROVED FOR
CONSTRUCTION**

NOV 30 2006

City of Rockwall Engineering Dept.
City Engineer:



| NO. | DATE | REVISION | APPROV. |
|-----|------|----------|---------|
| 4 | | | |
| 3 | | | |
| 2 | | | |
| 1 | | | |

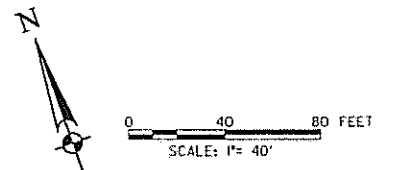
THE CITY OF ROCKWALL, TEXAS
"THE NEW HORIZON"

SUMMER LEE DRIVE EXTENSION

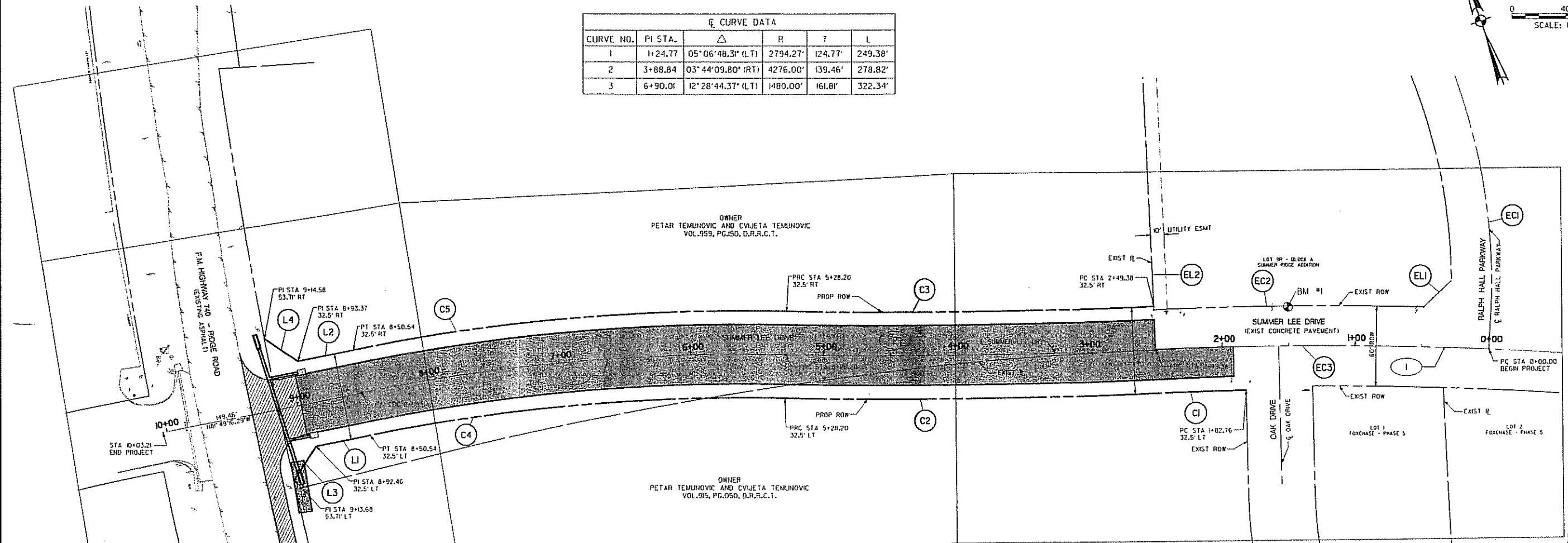
TYPICAL SECTION AND DETAILS

TCB | AECOM TURNER COLLIE & BRADEN
17300 DALLAS PARKWAY, SUITE 1010
DALLAS, TEXAS 75248-1157
WWW.TCB.AECOM.COM

| Unit | AS3 | Scale | AS NOTED | Date | JAN-04-2006 |
|----------|-----|----------|----------|-------------|----------------|
| Designed | RBD | Checked | BI | Project No. | 60002639.02000 |
| Drawn | JDJ | Approved | RCR | Sheet | .2 of 14 |



| C CURVE DATA | | | | | |
|--------------|---------|---------------------|----------|---------|---------|
| CURVE NO. | PI STA. | Δ | R | T | L |
| 1 | 1+24.77 | 05° 06' 48.31" (L1) | 2794.27' | 124.77' | 249.38' |
| 2 | 3+88.84 | 03° 44' 09.80" (RT) | 4276.00' | 139.46' | 278.82' |
| 3 | 6+90.01 | 12° 28' 44.37" (LT) | 1480.00' | 161.81' | 322.34' |



P&P SHEET 7
DRAINAGE P&P SHEET 10

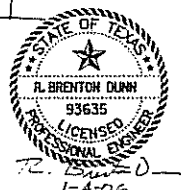
P&P SHEET 6

P&P SHEET 5

**APPROVED FOR
CONSTRUCTION**

NOV 30 2006

City of Rockwall Engineering Dept.
City Engineer: _____



| LINE TABLE | | |
|------------|-----------------|----------|
| LINE | BEARING | DISTANCE |
| EL1 | S 66° 06' 13" W | 28.15' |
| EL2 | N 16° 55' 18" E | 280.00' |
| L1 | N 81° 49' 13" W | 41.92' |
| L2 | N 81° 49' 13" W | 42.82' |
| L3 | S 53° 10' 44" W | 30.00' |
| L4 | N 36° 49' 16" W | 30.00' |

BENCHMARK #1
RAILROAD SPIKE SET IN POWERPOLE ON NORTHERLY SIDE OF
SUMMER LEE DRIVE, 100 FEET +/- WEST OF THE INTERSECTION
OF SUMMER LEE DRIVE AND RALPH HALL PARKWAY.
ELEV. 564.89

BENCHMARK #2
RAILROAD SPIKE SET IN POWERPOLE ON EASTERLY SIDE OF
RIDGE ROAD (FM 740) 300 FEET +/- SOUTH OF THE INTERSECTION
OF RIDGE ROAD AND SUMMER LEE DRIVE.
ELEV. 571.07

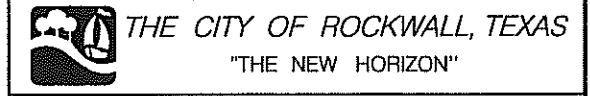
| CURVE TABLE | | | | | |
|-------------|-------------|----------|---------|-----------------|---------|
| CURVE | DELTA | RADIUS | LENGTH | CHORD BEARING | CHORD |
| EC1 | 29° 46' 32" | 450.00' | 233.86' | S 07° 18' 35" W | 231.24' |
| EC2 | 04° 06' 03" | 2824.18' | 202.14' | N 70° 53' 03" W | 202.10' |
| EC3 | 16° 24' 41" | 2794.18' | 805.52' | N 64° 40' 34" W | 802.73' |
| C1 | 01° 22' 09" | 2761.77' | 65.99' | N 72° 23' 34" W | 65.99' |
| C2 | 03° 44' 10" | 4308.50' | 280.95' | N 71° 12' 33" W | 280.90' |
| C3 | 03° 44' 10" | 4243.50' | 276.70' | N 71° 12' 33" W | 276.65' |
| C4 | 12° 28' 45" | 1447.50' | 315.27' | N 75° 34' 50" W | 314.65' |
| C5 | 12° 28' 45" | 1512.50' | 329.43' | N 75° 34' 50" W | 328.78' |

LEGEND

- FIRE HYDRANT
- WATER VALVE
- GUY WIRE
- POWER POLE
- TRAFFIC SIGNAL PULL BOX
- SIGN
- TELEPHONE MANHOLE
- TELEPHONE PEDIestal
- MONUMENT
- IRON ROD
- IRON PIPE
- SURVEY CONTROL POINT
- WATER METER MANHOLE
- ASPHALT
- (12") WATER LINE
- (6") NATURAL GAS LINE
- UNDERGROUND TELEPHONE
- OVERHEAD ELECTRIC
- EXIST CONCRETE
- PROPOSED ASPHALT
- PROPOSED CONCRETE

INTERSECTION MODIFICATIONS SHEET 12

| NO. | DATE | REVISION | APPROV. |
|-----|------|----------|---------|
| 4 | | | |
| 3 | | | |
| 2 | | | |
| 1 | | | |



SUMMER LEE DRIVE EXTENSION

PROJECT AND RIGHT OF WAY
LAYOUT

TCB | AECOM TURNER COLLIE & BRADEN
17300 DALLAS PARKWAY, SUITE 1010
DALLAS, TEXAS 75248-1157
WWW.TCB.AECOM.COM

| Unit: | Scale: | Date: |
|---------------|---------------|----------------------------|
| AS | 1"=40' | JAN-04-2006 |
| Designed: RBD | Checked: BH | Project No. 60002699.02000 |
| Drawn: JJJ | Approved: RCR | Sheet 3 of 14 |

1/4/2006 10:08:45 AM D:\COURT\11\SUMMER LEE DRIVE\PROJECT\DWG\11-03-06-01.DWG

GENERAL

- ALL WORK SHALL BE DONE IN ACCORDANCE WITH THE STANDARD SPECIFICATIONS OF THE CITY OF ROCKWALL WHICH ADOPTED THE STANDARD SPECIFICATIONS OF PUBLIC WORKS CONSTRUCTION, NORTH CENTRAL, TEXAS. (COG). COPIES MAY BE OBTAINED FROM THE "NORTH CENTRAL COUNCIL OF GOVERNMENTS", 616 SIX FLAGS DR., P.O. BOX 5888, ARLINGTON, TEXAS 76005-5888. PH (817) 640-3300.
- THESE PLANS, PREPARED BY TURNER COLLIE & BRADEN INC., DO NOT EXTEND TO OR INCLUDE DESIGNS OR SYSTEMS PERTAINING TO THE SAFETY OF THE CONSTRUCTION CONTRACTOR OR ITS EMPLOYEES, AGENTS, OR REPRESENTATIVES IN THE PERFORMANCE OF THE WORK. THE SEAL OF TURNER COLLIE & BRADEN INC.'S REGISTERED PROFESSIONAL ENGINEER(S) HEREON DOES NOT EXTEND TO ANY SUCH SAFETY SYSTEMS THAT MAY NOW OR HEREAFTER BE INCORPORATED IN THE WORK. THE CONSTRUCTION CONTRACTOR IS TO PREPARE OR OBTAIN THE APPROPRIATE SAFETY SYSTEMS, INCLUDING THE PLANS AND SPECIFICATIONS.
- THE CONTRACTOR SHALL ABIDE BY ALL APPLICABLE LOCAL, STATE, AND FEDERAL LAWS GOVERNING EXCAVATION. TRENCH SIDE SLOPES SHALL MEET OCCUPATIONAL SAFETY AND HEALTH ADMINISTRATION (OSHA) STANDARDS THAT ARE IN EFFECT AT THE TIME OF CONSTRUCTION. SHEETING, SHORING, AND BRACING WILL BE REQUIRED WHEN SIDE SLOPE STANDARDS ARE NOT MET. A TRENCH PULL BOX, MEETING OSHA STANDARDS, WILL BE ACCEPTABLE. THE APPARENT LOW BIDDER WILL SUBMIT DETAILED PLANS AND SPECIFICATIONS FOR TRENCH SAFETY SYSTEMS WHEN TRENCH EXCAVATION WILL EXCEED A DEPTH OF FIVE (5) FEET THAT MEET OSHA STANDARDS THAT ARE IN EFFECT AT THE TIME OF CONSTRUCTION.
- ALL CONSTRUCTION OPERATIONS ARE TO BE ACCOMPLISHED IN ACCORDANCE WITH APPLICABLE REGULATIONS OF THE OSHA. COPIES OF OSHA STANDARDS MAY BE PURCHASED FROM THE U.S. GOVERNMENT PRINTING OFFICE; INFORMATION AND RELATED REFERENCE MATERIALS MAY BE OBTAINED FROM OSHA, 903 SAN JACINTO, AUSTIN, TEXAS.
- THE CONTRACTOR SHALL OBTAIN ALL CONSTRUCTION PERMITS REQUIRED FROM THE CITY OF ROCKWALL PRIOR TO COMMENCEMENT OF WORK. NO EXTRA PAY ITEM.
- THE CITY OF ROCKWALL IS TO BE NOTIFIED BY TELEPHONE (972-771-7746) AT LEAST 48 HOURS IN ADVANCE OF ALL CONSTRUCTION, FOLLOWED BY A LETTER OF CONFIRMATION.
- THE CONTRACTOR SHALL GIVE NOTICE TO ALL AUTHORIZED INSPECTORS, SUPERINTENDENTS, OR PERSONS IN CHARGE OF PRIVATE AND PUBLIC UTILITIES AFFECTED BY THESE OPERATIONS PRIOR TO COMMENCEMENT OF WORK. NO EXTRA PAY ITEM.
- THE CONTRACTOR SHALL VERIFY ALL CONDITIONS AND DIMENSIONS AT THE JOB SITE AND NOTIFY THE OWNER'S REPRESENTATIVE OF ANY OMISSIONS, DISCREPANCIES, OR DIMENSIONAL ERRORS PRIOR TO BEGINNING OR FABRICATING ANY WORK OR MATERIALS. OTHERWISE THE CORRECTIONS (AND ASSOCIATED COST) WILL BE THE RESPONSIBILITY OF THE CONTRACTOR. NO EXTRA PAY ITEM.
- THE CONTRACTOR IS TO TAKE ALL DUE PRECAUTIONS TO PROTECT EXISTING FACILITIES FROM DAMAGE. ANY DAMAGE TO EXISTING FACILITIES INCURRED AS A RESULT OF THESE CONSTRUCTION OPERATIONS ARE TO BE REPAIRED IMMEDIATELY BY THE CONTRACTOR TO AT LEAST THE PRE-EXISTING CONDITION AT THE CONTRACTOR'S EXPENSE.
- THE CONTRACTOR SHALL BE RESPONSIBLE FOR REPAIRING ANY DAMAGE CAUSED BY THESE CONSTRUCTION OPERATIONS OUTSIDE THE DESIGNATED WORK AREA WITH EQUAL OR BETTER QUALITY MATERIAL AT THE CONTRACTOR'S EXPENSE.
- ALL EXISTING MONUMENTS, PROPERTY PINS, OR IRON RODS SHALL BE PRESERVED BY THE CONTRACTOR. IF ANY OF THESE ITEMS NEEDS TO BE REMOVED OR DISRUPTED TO ACCOMMODATE CONSTRUCTION, THE CONTRACTOR SHALL BE FULLY RESPONSIBLE FOR REPLACING IT BACK TO ITS ORIGINAL LOCATION AND/OR ELEVATION AT THE CONTRACTOR'S EXPENSE.

- NO TREES SHALL BE CUT OR REMOVED EXCEPT ON SPECIFIC APPROVAL BY THE CITY OF ROCKWALL. ANY TREES THAT ARE APPROVED FOR REMOVAL MUST BE REMOVED IN A MANNER WHICH DOES NOT IMPACT TREES THAT ARE TO BE PRESERVED. NO EXTRA PAY ITEM.
- THE CONTRACTOR IS RESPONSIBLE FOR THE REMOVAL AND DISPOSAL OF STUMPS, ROOTS, AND VEGETATION FROM THE PROJECT SITE. NO EXTRA PAY ITEM.
- ALL TREES, BUSHES, AND BRUSH THAT MUST BE REMOVED IN ORDER TO PROCEED WITH CONSTRUCTION SHALL BE CONSIDERED INCIDENTAL TO CONSTRUCTION AND NOT MEASURED SEPARATELY FOR PAYMENT.
- VEGETATION MUST BE PRUNED TO PROVIDE CLEARANCE FOR STRUCTURES, VEHICULAR TRAFFIC, AND EQUIPMENT BEFORE DAMAGE OCCURS (RIPPING OF BRANCHES, ETC.). ALL FINISHED PRUNING IS TO BE DONE ACCORDING TO RECOGNIZED, APPROVED STANDARDS OF THE INDUSTRY (REFER TO THE "NATIONAL ARBORIST ASSOCIATION PRUNING STANDARDS FOR SHADE TREES"). NO EXTRA PAY ITEM.
- THE CONTRACTOR IS TO COMPLY WITH ALL APPLICABLE LOCAL, STATE, AND FEDERAL REQUIREMENTS REGARDING EXCESS AND WASTE MATERIAL, INCLUDING METHODS OF HANDLING AND DISPOSAL.
- THE LOCATION FOR THE DISPOSAL OF CONSTRUCTION MATERIAL SHALL BE APPROVED BY THE CITY OF ROCKWALL DEPARTMENT OF ENGINEERING AND PUBLIC WORKS PRIOR TO THE START OF CONSTRUCTION.
- MATERIAL MAY NOT BE STOCKPILED WITHIN THE 100-YEAR FLOODPLAIN.
- INTENTIONAL RELEASE OF VEHICLE OR EQUIPMENT FLUIDS ONTO THE GROUND IS NOT ALLOWED. CONTAMINATED SOIL RESULTING FROM AN ACCIDENTAL SPILL IS TO BE REMOVED AND DISPOSED OF PROPERLY AT THE CONTRACTOR'S EXPENSE.

CONSTRUCTION

- THE CONTRACTOR SHALL NOTIFY THE CITY OF ROCKWALL DEPARTMENT OF ENGINEERING AND PUBLIC WORKS BY TELEPHONE (972-771-7746) AT LEAST 48 HOURS IN ADVANCE FOR ALL WATER OR WASTEWATER MODIFICATIONS, LOCATES, OR TUNOFFS.
- ONLY THE CITY OF ROCKWALL WATER DEPARTMENT SHALL OPERATE EXISTING WATER VALVES. CONTACT THE WATER DEPARTMENT AT 972-771-7746 FOR ASSISTANCE AT LEAST 24 HOURS IN ADVANCE (EXCEPT IN THE CASE OF AN EMERGENCY).
- FIELD ADJUSTMENTS MAY BE NECESSARY AND SHALL BE CARRIED OUT AS DIRECTED BY THE ENGINEER AT NO EXTRA PAY.
- A MINIMUM OF 48 INCHES OF COVER IS REQUIRED OVER ALL UTILITY LINES. NO EXTRA PAY ITEM. THE CONTRACTOR SHALL USE CITY STANDARD DRAWING 3030 FOR CLASS B-3 PIPE EMBEDMENT.
- COMPACTION OF BACKFILL MATERIAL BY FLOODING OR JETTING WILL NOT BE PERMITTED.
- THE CONTRACTOR MUST OBTAIN A CONSTRUCTION METER THROUGH THE CITY OF ROCKWALL AND PAY FOR THE WATER USED. NO EXTRA PAY ITEM.
- THROUGHOUT THE CONSTRUCTION, AND AT THE COMPLETION OF CONSTRUCTION, THE CONTRACTOR IS TO ASSURE THAT DRAINAGE OF STORMWATER RUNOFF IS NOT BLOCKED. THE CONTRACTOR IS TO LEVEL WASHES, RUTS, DEPRESSIONS, AND MOUNDS TO GIVE THE AREA A SMOOTH FINISH. NO EXTRA PAY ITEM.
- THE CONTRACTOR IS TO MAINTAIN ACCESS TO PUBLIC AND PRIVATE FACILITIES DURING CONSTRUCTION. CONSTRUCTION ACTIVITIES ARE TO BE COORDINATED WITH THE OWNER, OWNER'S REPRESENTATIVE, AND THE CITY OF ROCKWALL. NO EXTRA PAY ITEM.

GENERAL NOTES

- THE CONTRACTOR SHALL REPAIR ANY DAMAGE TO EXISTING IRRIGATION SYSTEMS WITH NEW MATERIALS. IRRIGATION HEADS, VALVES, AND METERS MAY BE TEMPORARILY REMOVED TO ALLOW FOR CONSTRUCTION OF THE PROJECT. IRRIGATION HEADS, VALVES, AND METERS SHALL BE REPLACED IN THE SAME LOCATION AND IN WORKING ORDER. NO EXTRA PAY ITEM.
- THE CONTRACTOR MUST NOTIFY EACH PROPERTY OWNER 24 HOURS PRIOR TO SHUTTING OFF WATER FOR CONNECTION TO NEW MAIN.
- THE CONTRACTOR SHALL MAINTAIN THE EXISTING WATER MAINS IN SERVICE DURING ALL PHASES OF CONSTRUCTION AT NO EXTRA PAY. LEAKS CAUSED BY THE CONTRACTOR SHALL BE REPAIRED IMMEDIATELY AT THE CONTRACTOR'S EXPENSE.
- ALL SALVAGEABLE MATERIALS (VALVES, FIRE HYDRANTS, VALVE BOXES, ETC.) SHALL BE DELIVERED TO THE CITY OF ROCKWALL PUBLIC WORKS YARD. ALL NON-SALVAGEABLE MATERIALS TO BECOME PROPERTY OF THE CONTRACTOR AND TO BE DISPOSED OF OFFSITE.
- THE MAXIMUM DEFLECTION OF PIPE JOINTS SHALL NOT EXCEED THAT RECOMMENDED BY THE PIPE MANUFACTURER. IF IT IS NECESSARY TO DEFLECT THE PIPE GREATER THAN THE RECOMMENDED AMOUNT, THE CONTRACTOR SHALL PROVIDE FITTINGS. THERE SHALL BE NO ADDITIONAL COMPENSATION ALLOWED.
- THE CONTRACTOR SHALL INSTALL BLUE ELECTRONIC MARKER SYSTEM (EMS) LOCATOR PADS ALONG THE WATER LINE EVERY 250' AT VALVES, AT CHANGES IN DIRECTION, AND AT SERVICES. NO EXTRA PAY ITEM.
- ALL PIPE FITTINGS SHALL BE DUCTILE IRON AND SHALL BE MECHANICAL JOINT FITTINGS UNLESS OTHERWISE NOTED IN THE PLANS. ALL FITTINGS SHALL BE WRAPPED WITH MINIMUM 8 MIL POLYWRAP PER AWWA C 105. NO COMPACT FITTINGS WILL BE ALLOWED. FITTINGS MUST BE AMERICAN MADE. MAXIMUM ALLOWABLE WEIGHT TO BE PAID PER FITTING IS LISTED IN THE TABLE ON THE QUANTITY SHEET.
- THE WATER LINE MATERIAL SHALL BE BLUE PVC AWWA C900, DRIA, CLASS 200 MINIMUM WATER PIPE.
- ALL AREAS DISTURBED BY CONTRACTOR SHALL BE RESTORED TO THE SAME OR BETTER CONDITION THAN BEFORE START OF CONSTRUCTION.

UTILITY

- THE LOCATION AND DEPTH OF ALL EXISTING UTILITIES SHOWN ON THE PLANS ARE APPROXIMATE AND THERE MAY BE OTHER UNKNOWN UTILITIES EXISTING NOT SHOWN ON THE PLANS THAT SHALL BE VERIFIED AND PROTECTED BY THE CONTRACTOR PRIOR TO COMMENCEMENT OF CONSTRUCTION. NO EXTRA PAY ITEM.
- THE CONTRACTOR SHALL BE RESPONSIBLE FOR PROTECTING ALL UTILITIES ENCOUNTERED DURING CONSTRUCTION OPERATIONS. ANY DAMAGE TO UTILITIES DONE BY THE CONTRACTOR DURING CONSTRUCTION SHALL BE REPAIRED TO THE SATISFACTION OF THE UTILITY OWNER AND THE CITY OF ROCKWALL AT THE ENTIRE EXPENSE OF THE CONTRACTOR.
- THE CONTRACTOR SHALL COORDINATE INTERRUPTIONS OF ALL UTILITIES AND SERVICES WITH THE APPLICABLE UTILITY COMPANIES AND/OR AGENCIES. ALL WORK IS TO BE DONE IN ACCORDANCE WITH THE REQUIREMENTS OF THE APPLICABLE UTILITY COMPANY OR AGENCY INVOLVED. THE CONTRACTOR SHALL CONTACT THE TEXAS ONE-CALL SYSTEM FOR UTILITY LOCATIONS PRIOR TO ANY WORK IN PUBLIC EASEMENTS OR RIGHT-OF-WAY AT 1-800-545-6005.
 TXU GAS 800-344-8377
 ONCOR 972-888-1302
 COMCAST 214-320-7546
 VERIZON COMMUNICATIONS 972-434-0622
 SOUTHWESTERN BELL 214-745-8200
- WHEN AN UNLOCATED OR INCORRECTLY LOCATED UNDERGROUND UTILITY OR A BREAK IN A UTILITY IS ENCOUNTERED DURING SITE WORK OPERATIONS, THE CONTRACTOR IS TO NOTIFY THE APPLICABLE UTILITY COMPANY IMMEDIATELY TO OBTAIN PROCEDURE DIRECTIONS. NO EXTRA PAY ITEM.
- THE CONTRACTOR SHALL BE REQUIRED TO ARRANGE TEMPORARY/ PERMANENT RELOCATION, SUPPORT AND/OR PROTECT ALL POWER, ELECTRIC, TELEPHONE, OR LIGHT POLES THAT MAY INTERFERE WITH CONSTRUCTION. COORDINATION WITH THE VARIOUS UTILITY COMPANIES SHALL BE THE CONTRACTOR'S RESPONSIBILITY. NO EXTRA PAY ITEM.
- CONTRACTOR IS RESPONSIBLE FOR PERSONNEL SAFETY IN PROXIMITY OF OVERHEAD POWER UTILITIES. CONTRACTOR SHALL ARRANGE FOR POLE RELOCATIONS OR DEENERGIZING LINES AS NEEDED. NO EXTRA PAY ITEM.

TRAFFIC CONTROL

- THE CONTRACTOR IS RESPONSIBLE FOR PLACEMENT AND MAINTENANCE OF ALL NECESSARY BARRICADES AS REQUIRED BY THE CITY OF ROCKWALL. CONTRACTOR SHALL PROVIDE, INSTALL, AND MAINTAIN TRAFFIC CONTROL DEVICES IN CONFORMANCE WITH THE 2003 TEXAS MANUAL OF UNIFORM TRAFFIC CONTROL DEVICES (TMUTCD) REVISION NO. 4 TEXAS DEPARTMENT OF TRANSPORTATION.
- NO STOP OR YIELD SIGN IS TO BE RELOCATED OR REMOVED WITHOUT PRIOR APPROVAL BY THE CITY. THE CONTRACTOR MUST CALL THE CITY DEPARTMENT OF PUBLIC WORKS, AND OBTAIN PERMISSION FOR ANY CHANGES IN THESE SIGNS.
- TWO-WAY TRAFFIC MUST BE MAINTAINED AT ALL TIMES ON EXISTING ROADS OF THIS PROJECT UNLESS SPECIFIED OTHERWISE IN THE PLANS AND SPECIFICATIONS. THE TRAVELWAY WIDTH SHALL NOT BE LESS THAN 10 FEET.
- ACCESS TO ABUTTING PROPERTY DURING THE CONSTRUCTION OF THIS PROJECT MUST BE MAINTAINED FOR EMERGENCY AND LOCAL TRAFFIC AT ALL TIMES.
- ALL WORK IN TXDOT ROW SHALL MEET TXDOT TRAFFIC STANDARDS.

STORM WATER POLLUTION PREVENTION

- UNLESS OTHERWISE NOTED, ALL STORM WATER POLLUTION PREVENTION MEASURES SHALL CONFORM TO THE CITY OF ROCKWALL STANDARDS OR TO APPLICABLE GUIDELINES OF THE NORTH CENTRAL TEXAS COUNCIL OF GOVERNMENTS, STORM WATER QUALITY BEST MANAGEMENT PRACTICES FOR CONSTRUCTION ACTIVITIES, LATEST EDITION OR AMENDMENTS, FOR COMPLIANCE WITH NATIONAL POLLUTION DISCHARGE ELIMINATION SYSTEM REQUIREMENTS.
- CONTRACTOR IS RESPONSIBLE FOR MAINTAINING SURFACE DRAINAGE AND EROSION CONTROL FACILITIES ON SITE DURING CONSTRUCTION.
- THE CONTRACTOR IS RESPONSIBLE FOR KEEPING STREETS AND SIDEWALKS ADJACENT TO THE PROJECT FREE OF MUD AND DEBRIS FROM THE CONSTRUCTION AT ALL TIMES.
- CONTRACTOR IS RESPONSIBLE FOR OBTAINING AND COMPLETING ANY APPLICABLE LOCAL, STATE, OR FEDERAL PERMITTING REQUIREMENTS WHICH MAY APPLY, INCLUDING THE SWPPP. NO EXTRA PAY ITEM.

THRUST BLOCKING & JOINT RESTRAINTS

- ALL PIPE FITTINGS MUST BE RESTRAINED WITH MEGA-LUG RESTRAINTS OR EQUAL AND THRUST BLOCKED AT ALL HORIZONTAL AND VERTICAL CHANGES IN PIPE DIRECTION. ALL VALVES ARE TO BE THRUST BLOCKED. NO EXTRA PAY ITEM FOR RESTRAINED JOINTS. MEGA-LUG OR APPROVED EQUAL RESTRAINED JOINTS, OR FOR THRUST BLOCKING.

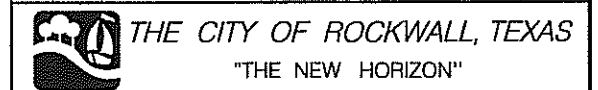
APPROVED FOR CONSTRUCTION

NOV 3 0 2006

City of Rockwall Engineering Dept.
City Engineer: _____



| 4 | | | |
|-----|------|----------|---------|
| 3 | | | |
| 2 | | | |
| 1 | | | |
| NO. | DATE | REVISION | APPROV. |



SUMMER LEE DRIVE EXTENSION

GENERAL NOTES

TCB | AECOM TURNER COLLIE & BRADEN
17300 DALLAS PARKWAY, SUITE 1010
DALLAS, TEXAS 75248-1157
WWW.TCB.AECOM.COM

| | | |
|---------------|---------------|----------------------------|
| Units: A/E | Scale: N/A | Date: JAN-04-2006 |
| Designed: RBD | Checked: BH | Project No. 60002699.02000 |
| Drawn: DJJ | Approved: RCR | Sheet 4 of 14 |

11/2/2006 10:08:55 AM ET: C:\rockwall\11-03-06\11-03-06.dwg

OWNER
PETAR TEMUNOVIC AND CVIJETA TEMUNOVIC
VOL.959, PG.150, D.R.R.C.T.

INSTALL 12" WATERLINE

STA 2+49.4, 25.3' RT
REMOVE EXIST
12" PLUG AND
CONNECT PROP
12" WATERLINE

DEFLECT WATER MAIN
JOINTS TO ALIGN WITH
EXISTING WATER MAIN.
(JOINTS NOT TO EXCEED
MAXIMUM ALLOWABLE
DEFLECTION.)

STA 2+40
EXIST:
12"x6" TEE
6" GATE VALVE
FH ASSEMBLY

STA 2+30
EXIST:
12"x8" TEE
8" GATE VALVE
8" PLUG

STA 2+27.5
EXIST:
12" GATE VALVE

LOT 9B - BLOCK A
SUMMER RIDGE ADDITION

SUMMER LEE DRIVE
(EXIST CONCRETE PAVEMENT)

2+00

1+00

RALPH HALL PARKWAY
E RALPH HALL PARKWAY

0+00

PC STA 0+00.00
BEGIN PROJECT

STA 1+91.8
MATCH EXIST
AND CURB
BEGIN NEW PAVEMENT

OAK DRIVE

REPLACE RIGHT TURN
ONLY SIGN WITH STOP
SIGN (R-1)

PROP 6' SIDEWALK
PROP ROW

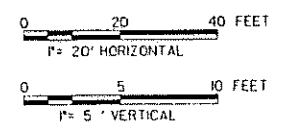
PROP ROW

REMOVE AND
DISPOSE OF MBGF
AND BOLLARDS

PRC STA 2+49.38

TIE INTO EXISTING CONCRETE
PAVEMENT WITH *3x18" LONG
DOWELS @ 12" O.C.

OWNER
PETAR TEMUNOVIC AND CVIJETA TEMUNOVIC
VOL.915, PG.050, D.R.R.C.T.

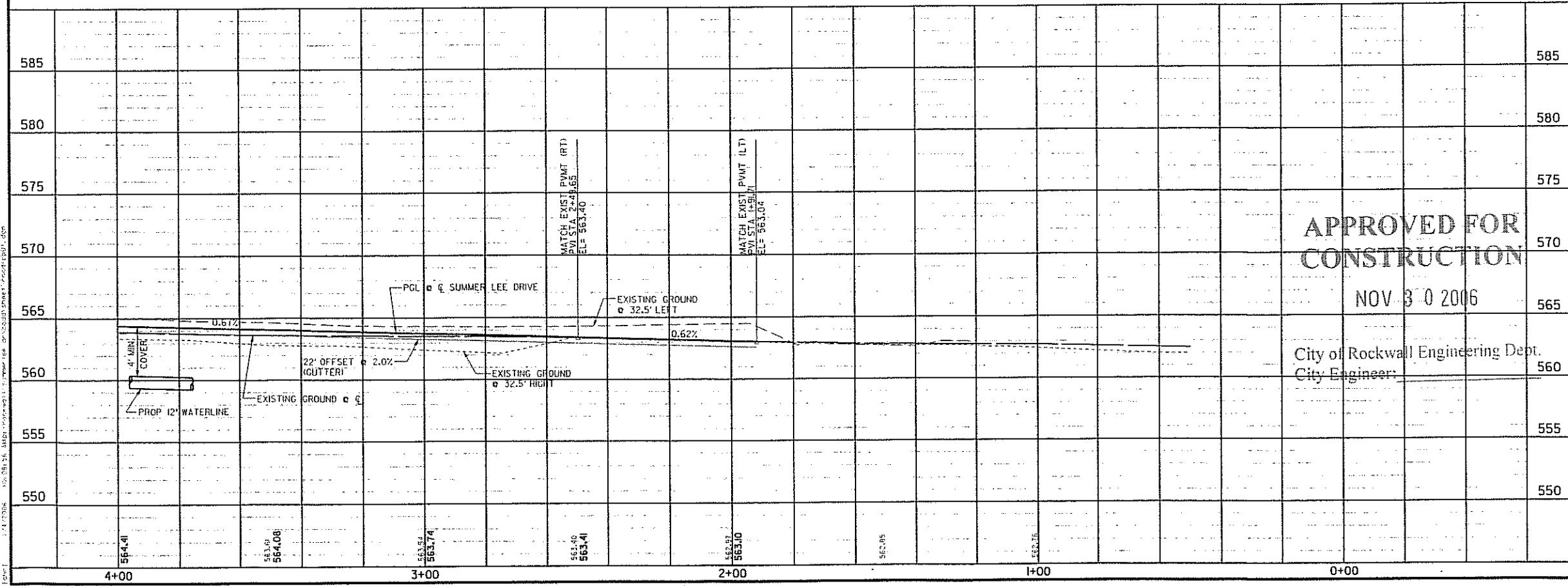
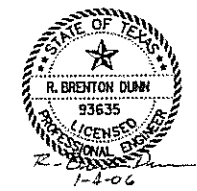


LEGEND

- FIRE HYDRANT
- WATER VALVE
- GUY WIRE
- POWER POLE
- TRAFFIC SIGNAL PULL BOX
- SIGN
- TELEPHONE MANHOLE
- TELEPHONE PEDISTAL
- MONUMENT
- IRON ROD
- IRON PIPE
- SURVEY CONTROL POINT
- WATER METER MANHOLE
- ASPHALT
- (SIZE) WATER LINE
- (SIZE) NATURAL GAS LINE
- UNDERGROUND TELEPHONE
- OVERHEAD ELECTRIC
- EXIST CONCRETE
- PROPOSED ASPHALT
- PROPOSED CONCRETE

| CURVE DATA | | | | | |
|------------|---------|---------------------|----------|---------|---------|
| CURVE NO. | PI STA. | Δ | R | T | L |
| 1 | 1+24.77 | 05° 06' 48.31" (LT) | 2794.27' | 124.77' | 249.38' |
| 2 | 3+88.84 | 03° 44' 09.80" (RT) | 4276.00' | 139.46' | 278.82' |

UNDERGROUND UTILITIES
THE LOCATIONS OF EXISTING UTILITIES SHOWN ON THESE PLANS ARE APPROXIMATE AND BASED ON DATA FURNISHED BY UTILITY COMPANIES. IT IS THE RESPONSIBILITY OF THE CONTRACTOR TO LOCATE AND VERIFY ON-SITE THE UTILITIES THAT MAY CONFLICT WITH THE CONSTRUCTION.



APPROVED FOR
CONSTRUCTION

NOV 30 2006

City of Rockwall Engineering Dept.
City Engineer:

| NO. | DATE | REVISION | APPROV. |
|-----|------|----------|---------|
| 4 | | | |
| 3 | | | |
| 2 | | | |
| 1 | | | |

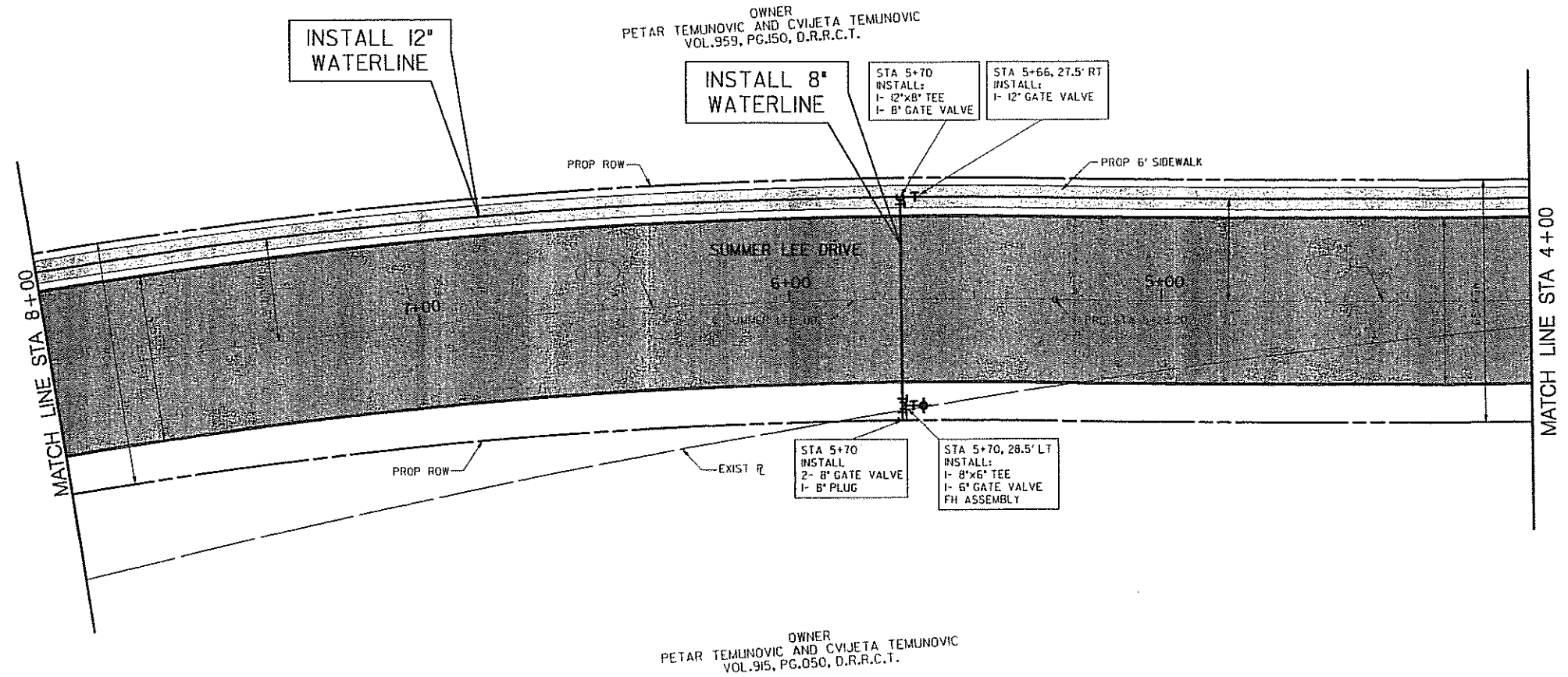
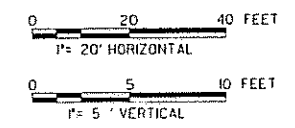
THE CITY OF ROCKWALL, TEXAS
"THE NEW HORIZON"

SUMMER LEE DRIVE EXTENSION

PAVING PLAN AND PROFILE
STA 0+00 TO STA 4+00

TCB AECOM TURNER COLLIE & BRADEN
17308 DALLAS PARKWAY, SUITE 1010
DALLAS, TEXAS 75248-1157
WWW.TCB.AECOM.COM

| | | |
|---------------|-----------------|----------------------------|
| Units: A/E | Scale: AS SHOWN | Date: JAN-04-2006 |
| Designed: RBD | Checked: BH | Project No. 60002699.02000 |
| Drawn: JDU | Approved: RCR | Sheet 5 of 14 |



LEGEND

- FIRE HYDRANT
- WATER VALVE
- GUY WIRE
- POWER POLE
- TRAFFIC SIGNAL PULL BOX
- SIGN
- TELEPHONE MANHOLE
- TELEPHONE PEDISTAL
- MONUMENT
- IRON ROD
- IRON PIPE
- SURVEY CONTROL POINT
- WATER METER MANHOLE
- ASPHALT
- (5.5) WATER LINE
- (5.5) NATURAL GAS LINE
- UNDERGROUND TELEPHONE
- OVERHEAD ELECTRIC
- EXIST CONCRETE
- PROPOSED ASPHALT
- PROPOSED CONCRETE

OWNER
PETAR TEMUNOVIC AND CVIJETA TEMUNOVIC
VOL.915, PG.050, D.R.R.C.T.

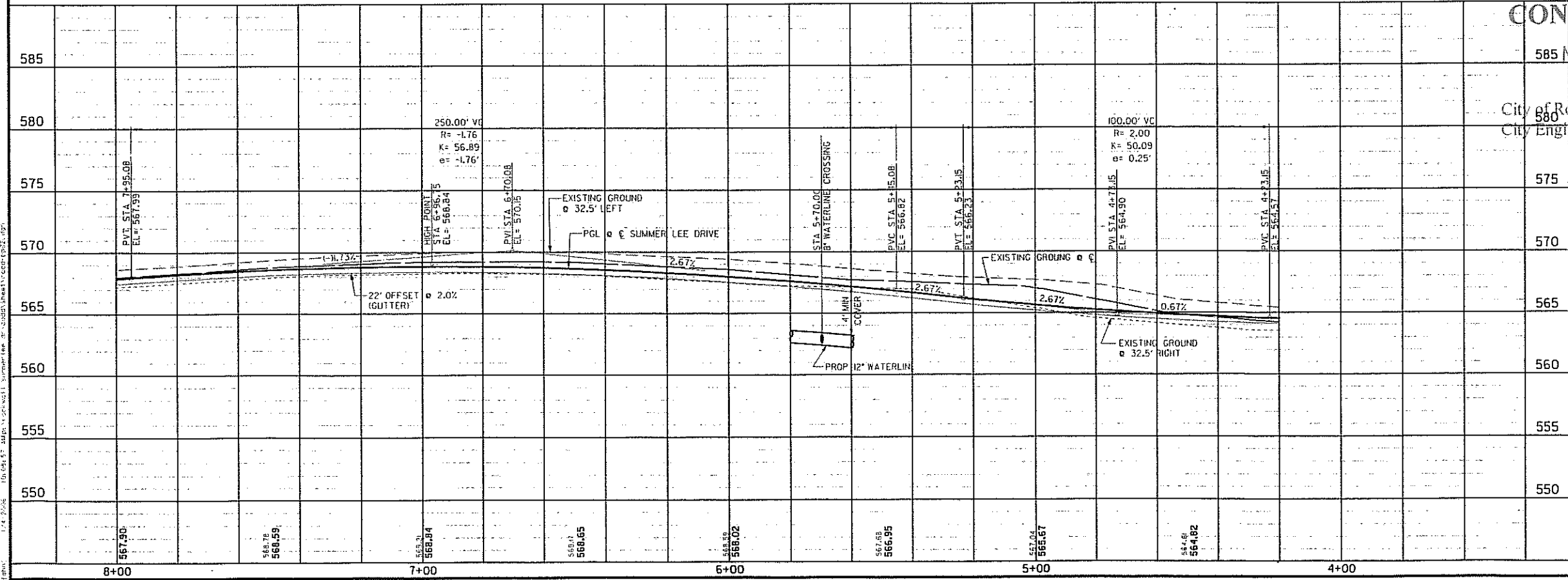
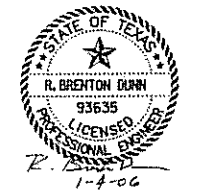
Q CURVE DATA

| CURVE NO. | PI STA. | Δ | R | T | L |
|-----------|---------|-------------------|----------|---------|---------|
| 2 | 3+88.84 | 03°44'09.80" (RT) | 4276.00' | 139.46' | 278.82' |
| 3 | 6+90.01 | 12°28'44.37" (LT) | 1480.00' | 161.81' | 322.34' |

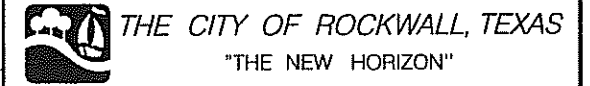
APPROVED FOR
CONSTRUCTION

NOV 30 2006

City of Rockwall Engineering Dept.
City Engineer: _____



| NO. | DATE | REVISION | APPROV. |
|-----|------|----------|---------|
| 4 | | | |
| 3 | | | |
| 2 | | | |
| 1 | | | |



SUMMER LEE DRIVE EXTENSION

PAVING PLAN AND PROFILE
STA 4+00 TO STA 8+00

TCB | AECOM TURNER COLLIE & BRADEN
17300 DALLAS PARKWAY, SUITE 1010
DALLAS, TEXAS 75248-1157
WWW.TCB.AECOM.COM

| | | |
|---------------|-----------------|----------------------------|
| Unit: AS3 | Scale: AS SHOWN | Date: JAN-04-2006 |
| Designed: RSD | Checked: BH | Project No. 60002699.02000 |
| Drawn: DJJ | Approved: RCR | Sheet 6 of 14 |

1-4-2006 10:04:57 AM D:\04\57\BDD\1\020\0411\Summer Lee Dr. Utility\Sheet\CDR\0201.dwg

STA 10+03.5±, 39' RT
CONNECT TO EXISTING 16" RCCP
WITH 16"x12" PRESSURE TAP, AND
12" TAPPING VALVE. ALL WORK
SHALL BE COMPLETED BY HANSON
CONCRETE PIPE OR APPROVED
CONTRACTOR.

STA 9+99.0, 39' RT
INSTALL:
2- 12" 45° BENDS
FOR VERTICAL OFFSET
TO EL= 558.35

77 LF OF 20" STEEL ENCASEMENT
FOR 12" WATER LINE TO BE
BORED UNDER RIDGE ROAD
SEE SHEET B FOR
ENCASEMENT DETAIL

STA 9+10.00, 38.5' RT
INSTALL:
1- 12" GATE VALVE

STA 9+06.28, 38.5' RT
INSTALL:
1- 12" 45° BEND

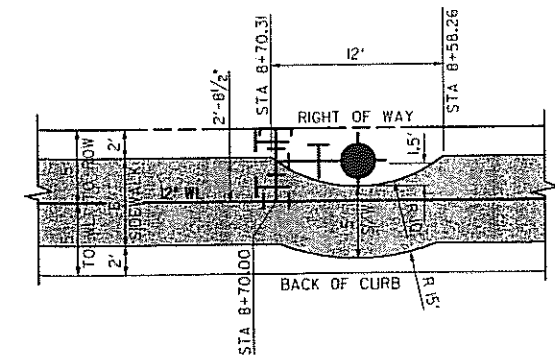
STA 8+92.94, 27.5' RT
INSTALL:
1- 12" 45° BEND

STA 8+87.60, 27.5' RT
INSTALL:
2- 12" 45° BENDS
FOR VERTICAL OFFSET
TO EL= 558.35

OWNER
PETAR TEMUNOVIC AND CMIJETA TEMUNOVIC
VOL.959, PG.150, D.R.R.C.T.

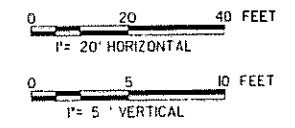
STA 8+70.00, 27.5' RT
INSTALL:
1- 12"x8" TEE
2- 8" GATE VALVE
1- 8"x6" TEE
1- 6" GATE VALVE
FH ASSEMBLY
SEE DETAIL THIS SHEET

INSTALL 12"
WATERLINE



SIDEWALK AND FIRE HYDRANT
ASSEMBLY INSTALLATION DETAIL

NOTE:
SEE PLAN 'B' ON SHEET 8
FOR ASSEMBLY OF FITTINGS



LEGEND

- FIRE HYDRANT
- WATER VALVE
- GUY WIRE
- POWER POLE
- TRAFFIC SIGNAL PULL BOX
- SIGN
- TELEPHONE MANHOLE
- TELEPHONE PEDISTAL
- MONUMENT
- IRON ROD
- IRON PIPE
- SURVEY CONTROL POINT
- WATER METER MANHOLE
- ASPHALT
- (S) SIZE WATER LINE
- (S) SIZE NATURAL GAS LINE
- UG S 12"
- OH 48"
- OVERHEAD ELECTRIC
- EXIST CONCRETE
- PROPOSED ASPHALT
- PROPOSED CONCRETE

SUMMER LEE DRIVE
(CONCRETE PAVEMENT)

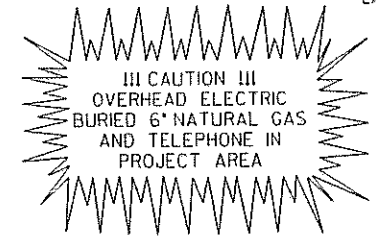
STA 10+03.21
END PROJECT

FM 740 - RIDGE ROAD
(EXISTING ASPHALT)

PC STA 8+97.25
22.00' LT

STA 8+97.25
END TYPICAL PAVEMENT
SECTION BEGIN ASPHALT
TRANSITION.

MATCH LINE STA 8+00



OWNER
PETAR TEMUNOVIC AND CMIJETA TEMUNOVIC
VOL.915, PG.050, D.R.R.C.T.

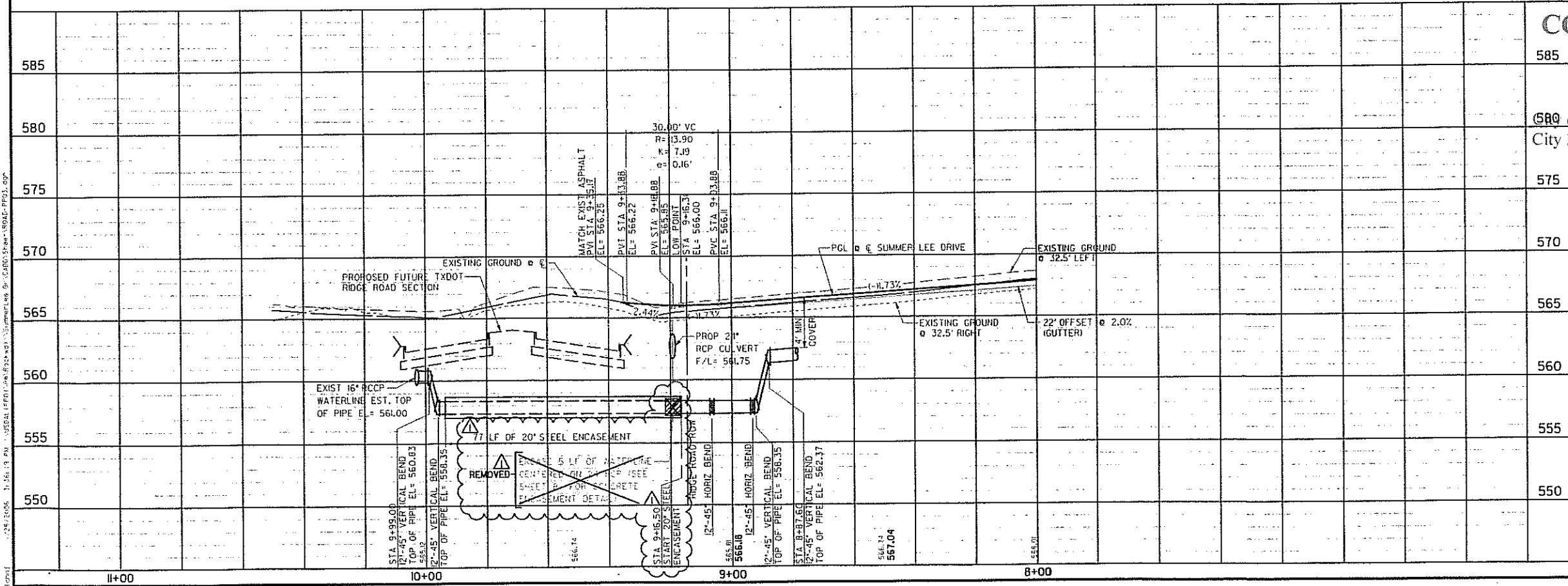
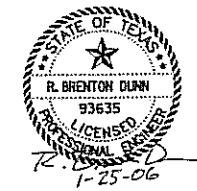
| C CURVE DATA | | | | | |
|--------------|---------|---------------------|----------|---------|---------|
| CURVE NO. | PI STA. | Δ | R | T | L |
| 3 | 6+90.01 | 12° 28' 44.37" (LT) | 1480.00' | 161.81' | 322.34' |

UNDERGROUND UTILITIES
THE LOCATIONS OF EXISTING UTILITIES
SHOWN ON THESE PLANS ARE APPROXI-
MATE AND BASED ON DATA FURNISHED
BY UTILITY COMPANIES. IT IS THE
RESPONSIBILITY OF THE CONTRACTOR
TO LOCATE AND VERIFY ON-SITE THE
UTILITIES THAT MAY CONFLICT WITH
THE CONSTRUCTION.

APPROVED FOR
CONSTRUCTION

NOV 3 0 2006

City Engineer: _____



| | | | | | |
|-----|--|--|--|--|--|
| 585 | | | | | |
| 580 | | | | | |
| 575 | | | | | |
| 570 | | | | | |
| 565 | | | | | |
| 560 | | | | | |
| 555 | | | | | |
| 550 | | | | | |

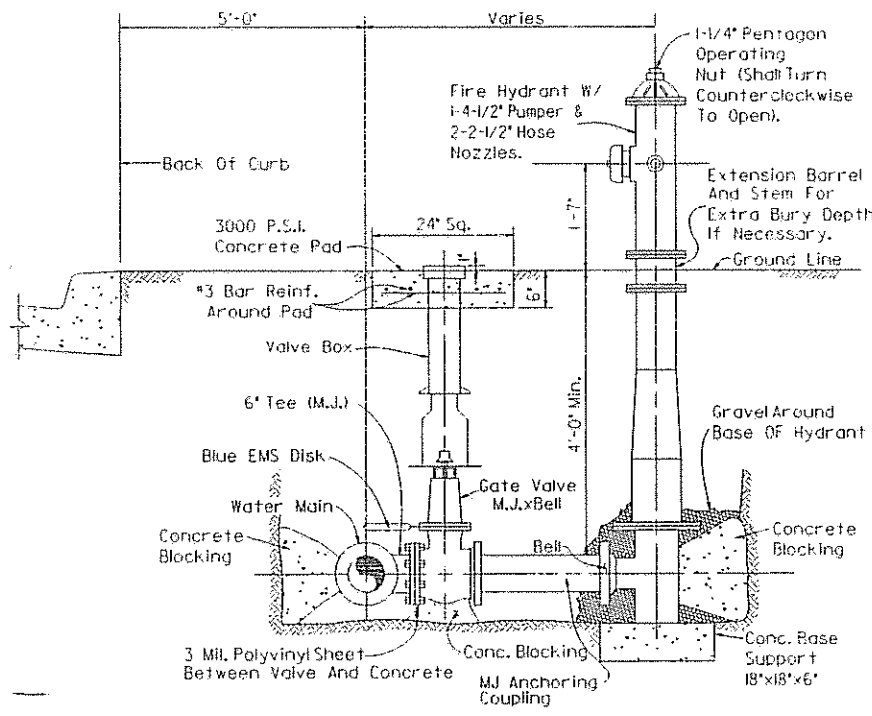
THE CITY OF ROCKWALL, TEXAS
"THE NEW HORIZON"

SUMMER LEE DRIVE EXTENSION

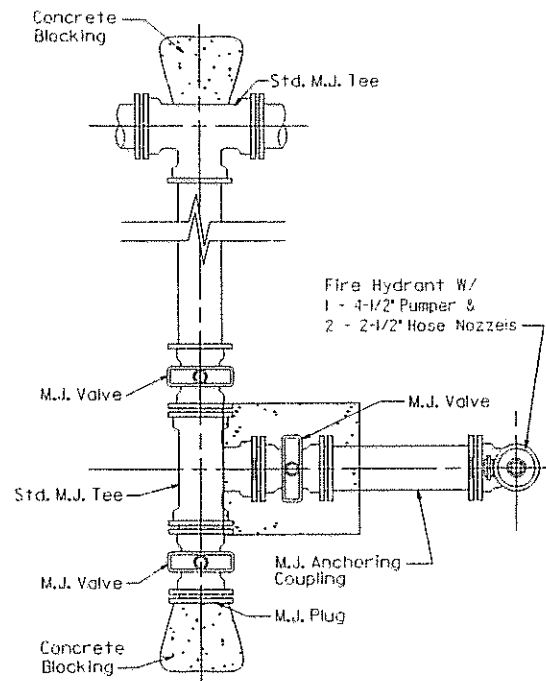
PAVING PLAN AND PROFILE
STA 8+00 TO 11+00

TCB | AECOM TURNER COLLIE & BRADEN
17300 DALLAS PARKWAY, SUITE 1010
DALLAS, TEXAS 75248-1157
WWW.TCB.AECOM.COM

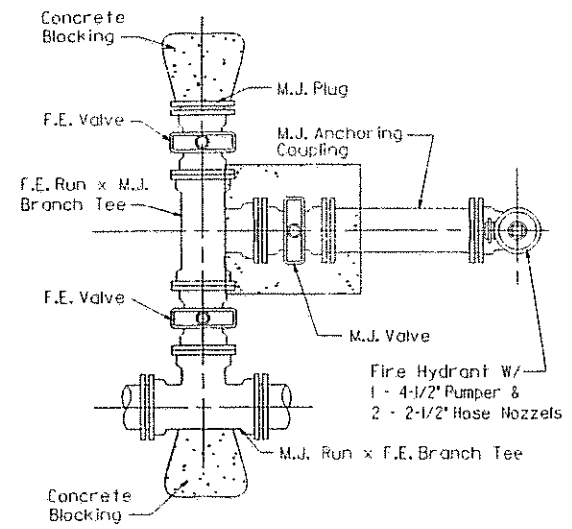
| | | |
|---------------|-----------------|----------------------------|
| Units: AUC | Scale: AS SHOWN | Date: JAN-04-2006 |
| Designed: RBD | Checked: BH | Project No. 60002699.02000 |
| Drawn: JBJ | Approved: RCR | Sheet 7 of 14 |



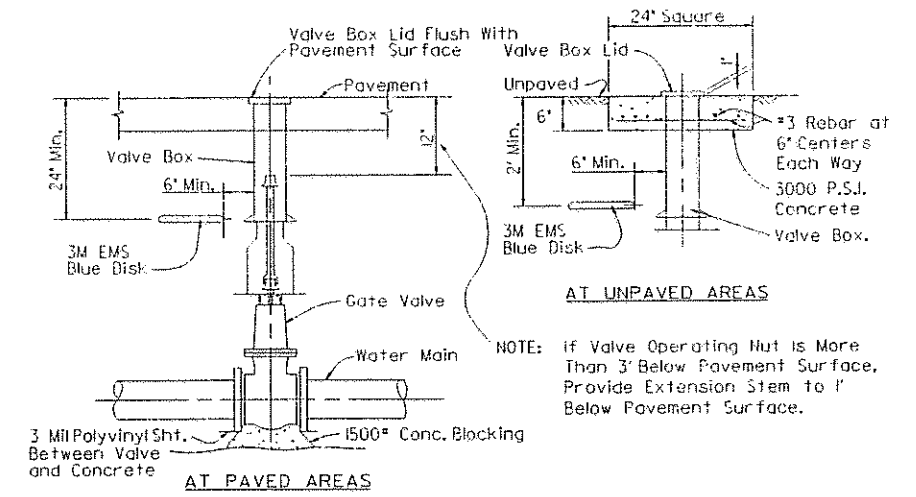
ELEVATION



PLAN VIEW "A"



PLAN VIEW "B"

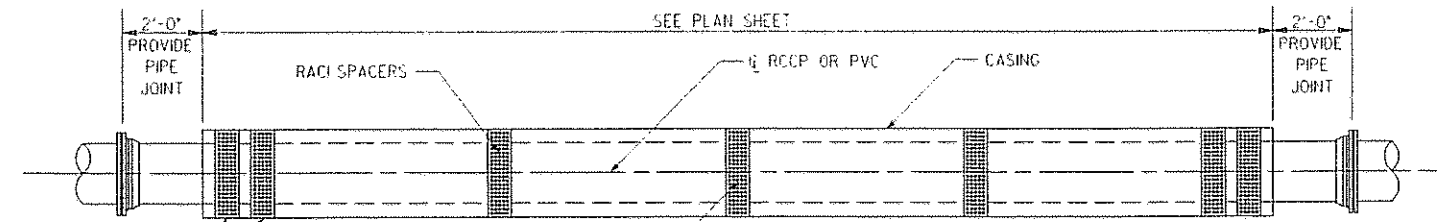


TYPICAL GATE VALVE AND BOX EXTENSION STEM DETAIL
Not To Scale

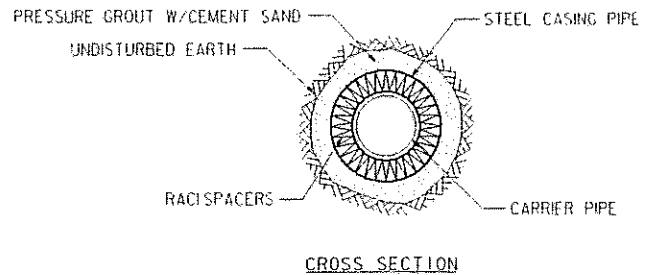
TYPICAL FIRE HYDRANT INSTALLATION

Not To Scale

NOTE: FIRE HYDRANT IS TO BE INSTALLED AT EXISTING GROUND LINE. VALVE BOX EXTENSIONS, OPERATING NUT EXTENSIONS, FIRE HYDRANT BARREL EXTENSIONS AND ANY OTHER APPURTENANCES REQUIRED TO INSTALL FIRE HYDRANT AT EXISTING GROUND LINE WILL BE AT NO EXTRA PAY ITEM.



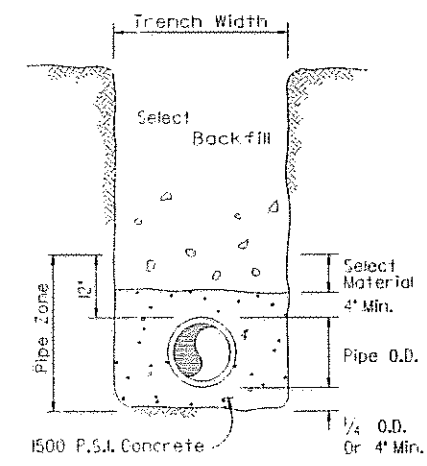
PLAN VIEW



CROSS SECTION

ENCASEMENT DETAIL
Not To Scale

NOTE:
FOR SIZE AND LENGTH OF CASING REQUIRED SEE PLAN AND PROFILE SHEETS
ALL CARRIER PIPE JOINTS INSIDE STEEL CASING PIPE ARE TO BE RESTRAINED WITH MECA-LUG RESTRAINTS OR APPROVED EQUAL. NO EXTRA PAY ITEM.



CONCRETE ENCASEMENT DETAIL
Not To Scale

AREA REQUIRED (IN SQUARE FEET) BEARING AGAINST UNDISTURBED TRENCH WALL

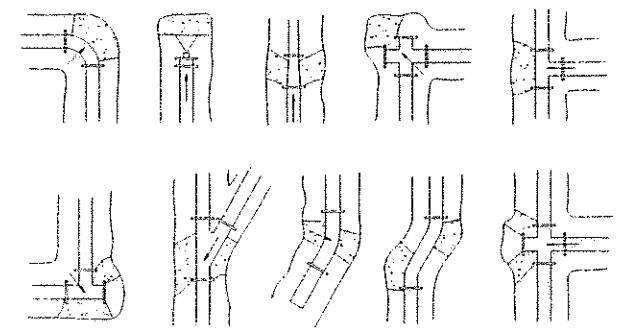
| PIPE SIZE (IN.) | THRUST (POUNDS) DEAD END AND TEE | BLOCKING (SQUARE FEET) | | | | | |
|-----------------|----------------------------------|------------------------|----------|----------|--------------|--------------|------------|
| | | DEAD END AND TEE | 90° BEND | 45° BEND | 22-1/2° BEND | 11-1/4° BEND | 5° DEFLECT |
| 4 | 2,450 | 1.73 | 1.73 | 0.94 | 0.50 | 0.50 | 0.50 |
| 6 | 5,913 | 2.76 | 3.90 | 2.01 | 1.08 | 0.54 | 0.50 |
| 8 | 9,802 | 4.90 | 6.93 | 3.75 | 1.91 | 0.96 | 0.50 |
| 10 | 15,315 | 7.66 | 10.83 | 5.86 | 2.99 | 1.50 | 0.67 |
| 12 | 22,054 | 11.03 | 15.99 | 8.43 | 4.30 | 2.16 | 0.96 |
| 14 | 30,018 | 15.01 | 21.23 | 11.49 | 5.86 | 2.94 | 1.31 |
| 16 | 39,201 | 19.60 | 27.73 | 15.01 | 7.65 | 3.84 | 1.71 |

BASED ON 2,000 P.S.F. SOIL BEARING CAPACITY AND 195 P.S.I. LINE PRESSURE (50 P.S.I. WORKING PRESSURE PLUS 30% FOR WATER HAMMER.)

HORIZONTAL BLOCKING TABLE

TYPICAL THRUST BLOCKING DETAILS NOTES:

- The earth bearing surface shall be undisturbed material. Keep all joints free from concrete. Thrust block to be constructed of 1,500 P.S.I. (28 day) concrete and placed as shown on "Typical Blocking Details" above.
- It shall be the responsibility of the contractor to install adequate thrust blocking. The HORIZONTAL BLOCKING TABLE shows the minimum thrust blocking area required in square feet bearing against undisturbed trench wall.
- All fittings shall be blocked regardless of the angle or direction, except as noted in the chart.
- Soil bearing strength is assumed to be 2,000 P.S.F. Site conditions may vary which will require modifications to the blocking calculations.
- No concrete shall be placed over pipe joints, nuts, or bolts.



APPROVED FOR CONSTRUCTION

NOV 3 0 2006

City of Rockwall Engineering Dept.
City Engineer: _____

| | | | |
|-----|------|----------|---------|
| 4 | | | |
| 3 | | | |
| 2 | | | |
| 1 | | | |
| NO. | DATE | REVISION | APPROV. |

THE CITY OF ROCKWALL, TEXAS
"THE NEW HORIZON"

SUMMER LEE DRIVE EXTENSION

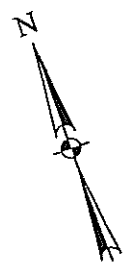
STANDARD WATER DETAILS

TCB AECOM
TURNER COLLIE & BRADEN
17300 DALLAS PARKWAY, SUITE 1010
DALLAS, TEXAS 75248-1157
WWW.TCB.AECOM.COM

| | | | | | |
|----------|-----|----------|-----|-------------|----------------|
| Units | AES | Scale | N/A | Date | JAN-04-2006 |
| Designed | RBD | Checked | BH | Project No. | 60002699.02000 |
| Drawn | JDJ | Approved | RCR | Sheet | 8 of 11 |

1/4/2006 10:08:59 AM \\cadd\shared\1\summer lee dr\cadd\sheet\water\11-water.dgn

0 40 80 FEET
SCALE: F=40'

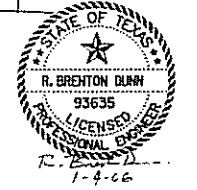


OWNER
PETAR TEMUNOVIC AND CUVETA TEMUNOVIC
VOL.959, PG.650, D.R.R.C.T.

OWNER
PETAR TEMUNOVIC AND CUVETA TEMUNOVIC
VOL.915, PG.050, D.R.R.C.T.

APPROVED FOR
CONSTRUCTION
NOV 30 2006

City of Rockwall Engineering Dept.
City Engineer: _____



| HYDRAULIC DATA | | | | | |
|----------------|--------------|------------|--------------------------|-----------------------------|------------------------|
| D.A. NUMBER | AREA (ACRES) | C (RUNOFF) | I ₁₀₀ (IN/HR) | Q _{100x1.25} (cfs) | NOTES: |
| 1 | * | * | * | * | EXISTING DRAINAGE AREA |
| 2 | * | * | * | * | EXISTING DRAINAGE AREA |
| 3 | 0.42 | 0.90 | 9.8 | 4.63 | 5' CURB INLET |
| 4 | 0.18 | 0.90 | 9.8 | 1.99 | 5' CURB INLET |
| 5 | 1.16 | 0.90 | 9.8 | 12.79 | 24" TEMPORARY CULVERT |

* DRAINAGE AREAS 1 AND 2 HAVE BEEN ACCOUNTED FOR IN PREVIOUS DRAINAGE PLANS. RUNOFF FROM THESE AREAS IS DIRECTED TO EXISTING CURB INLETS OUTSIDE THE SCOPE OF THIS WORK.

LEGEND

- ASPHALT
- ① DRAINAGE AREA NUMBER
- - - DRAINAGE DIVIDE
- FLOW ARROW
- ▨ EXIST CONCRETE
- ▩ PROPOSED ASPHALT
- ▧ PROPOSED CONCRETE
- - - PROPOSED CONTOUR
- EXISTING CONTOUR

| 4 | | | |
|-----|------|----------|---------|
| 3 | | | |
| 2 | | | |
| 1 | | | |
| NO. | DATE | REVISION | APPROV. |

THE CITY OF ROCKWALL, TEXAS
"THE NEW HORIZON"

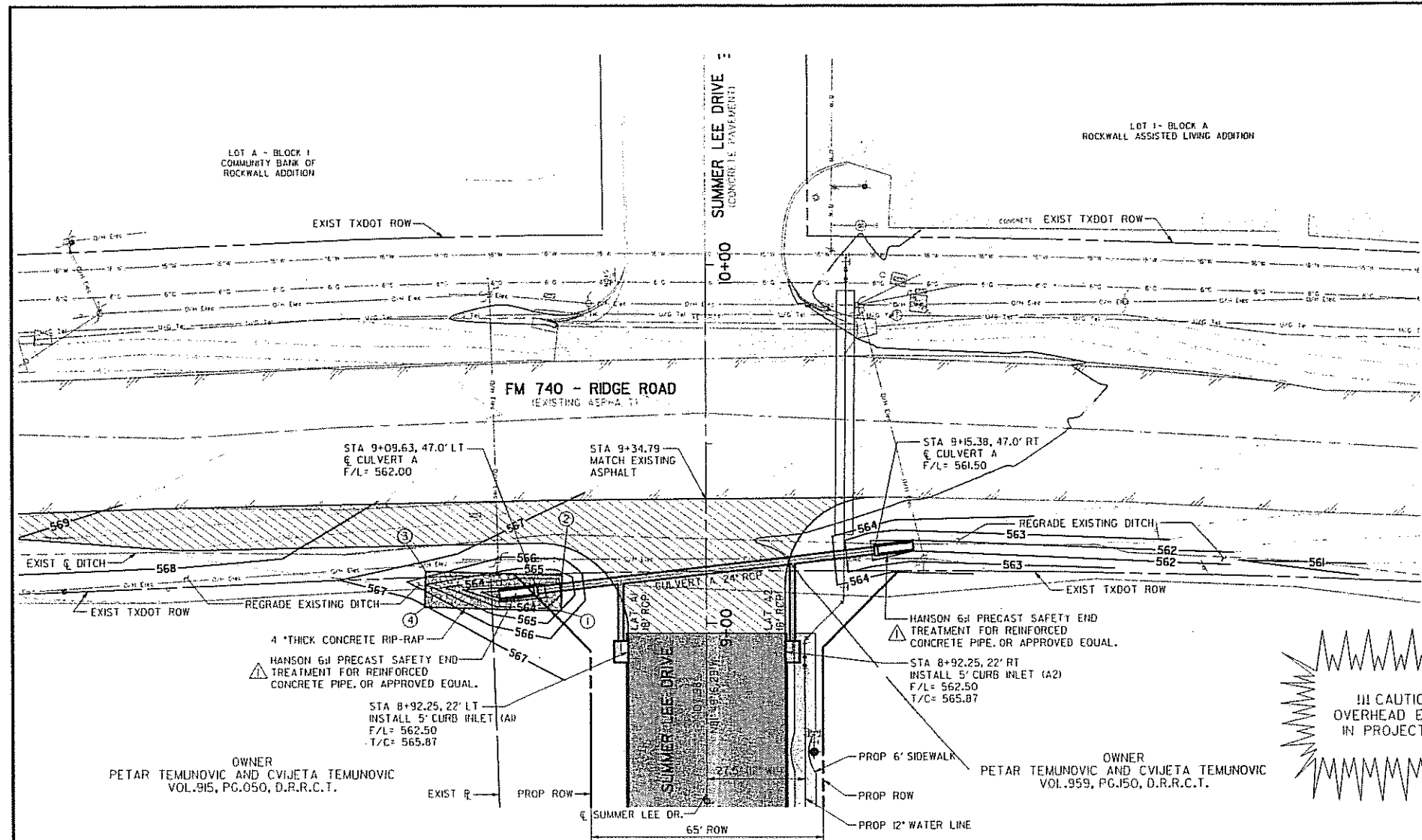
SUMMER LEE DRIVE EXTENSION

DRAINAGE AREA MAP

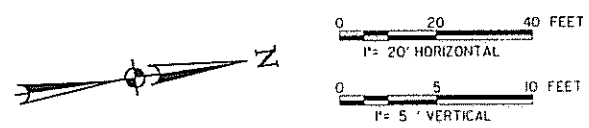
TCB AECOM TURNER COLLIE & BRADEN
17300 DALLAS PARKWAY, SUITE 1010
DALLAS, TEXAS 75248-1157
WWW.TCB.AECOM.COM

| | | |
|-------------|---------------|----------------------------|
| Unit: A13 | Scale: F=40' | Date: JAN-04-2006 |
| Design: RSD | Checked: BH | Project No. 60002699.02000 |
| Drawn: JBJ | Approved: RCR | Sheet 9 of 14 |

1-4-2006 10:29:00 AM C:\Users\jbraden\Documents\60002699.02000.dwg



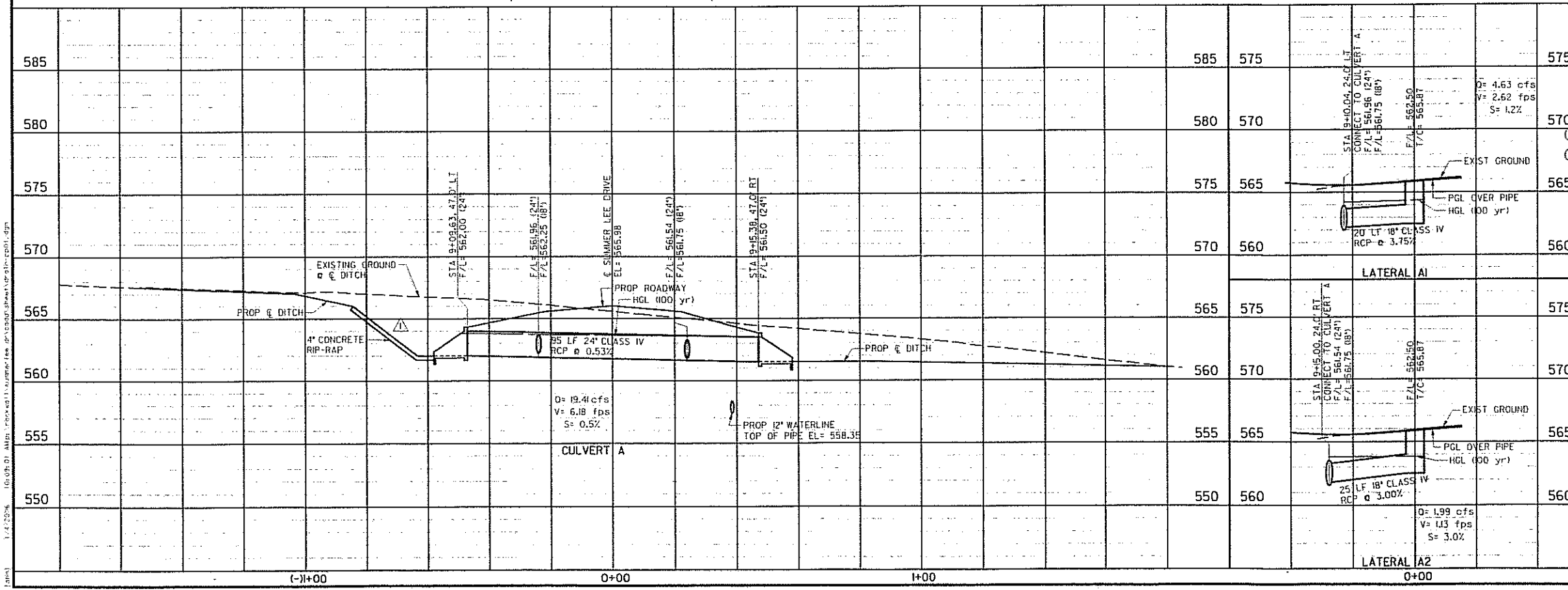
| RIP-RAP LOCATION TABLE | | |
|------------------------|---------|-----------|
| POINT # | STATION | OFFSET |
| 1 | 9+03.57 | 40.77' LT |
| 2 | 9+13.50 | 40.45' LT |
| 3 | 9+14.74 | 78.95' LT |
| 4 | 9+04.81 | 79.27' LT |



- LEGEND**
- FIRE HYDRANT
 - WATER VALVE
 - GUY WIRE
 - POWER POLE
 - TRAFFIC SIGNAL PULL BOX
 - SIGN
 - TELEPHONE MANHOLE
 - TELEPHONE PEDISTAL
 - MONUMENT
 - IRON ROD
 - IRON PIPE
 - SURVEY CONTROL POINT
 - WATER METER MANHOLE
 - ASPHALT
 - (SIZE) WATER LINE
 - (SIZE) NATURAL GAS LINE
 - UNDERGROUND TELEPHONE
 - OVERHEAD ELECTRIC
 - EXIST CONTOUR
 - PROPOSED CONTOUR
 - EXIST CONCRETE
 - PROPOSED ASPHALT
 - PROPOSED CONCRETE
 - PROPOSED CONCRETE RIP-RAP

!!! CAUTION !!!
OVERHEAD ELECTRIC
IN PROJECT AREA

UNDERGROUND UTILITIES
THE LOCATIONS OF EXISTING UTILITIES SHOWN ON THESE PLANS ARE APPROXIMATE AND BASED ON DATA FURNISHED BY UTILITY COMPANIES. IT IS THE RESPONSIBILITY OF THE CONTRACTOR TO LOCATE AND VERIFY ON-SITE THE UTILITIES THAT MAY CONFLICT WITH THE CONSTRUCTION.



APPROVED FOR CONSTRUCTION

NOV 30 2006

City of Rockwall Engineering Dept.
City Engineer: _____

THE CITY OF ROCKWALL, TEXAS
"THE NEW HORIZON"

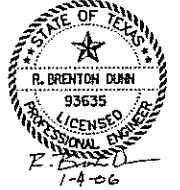
SUMMER LEE DRIVE EXTENSION

DRAINAGE PLAN AND PROFILE

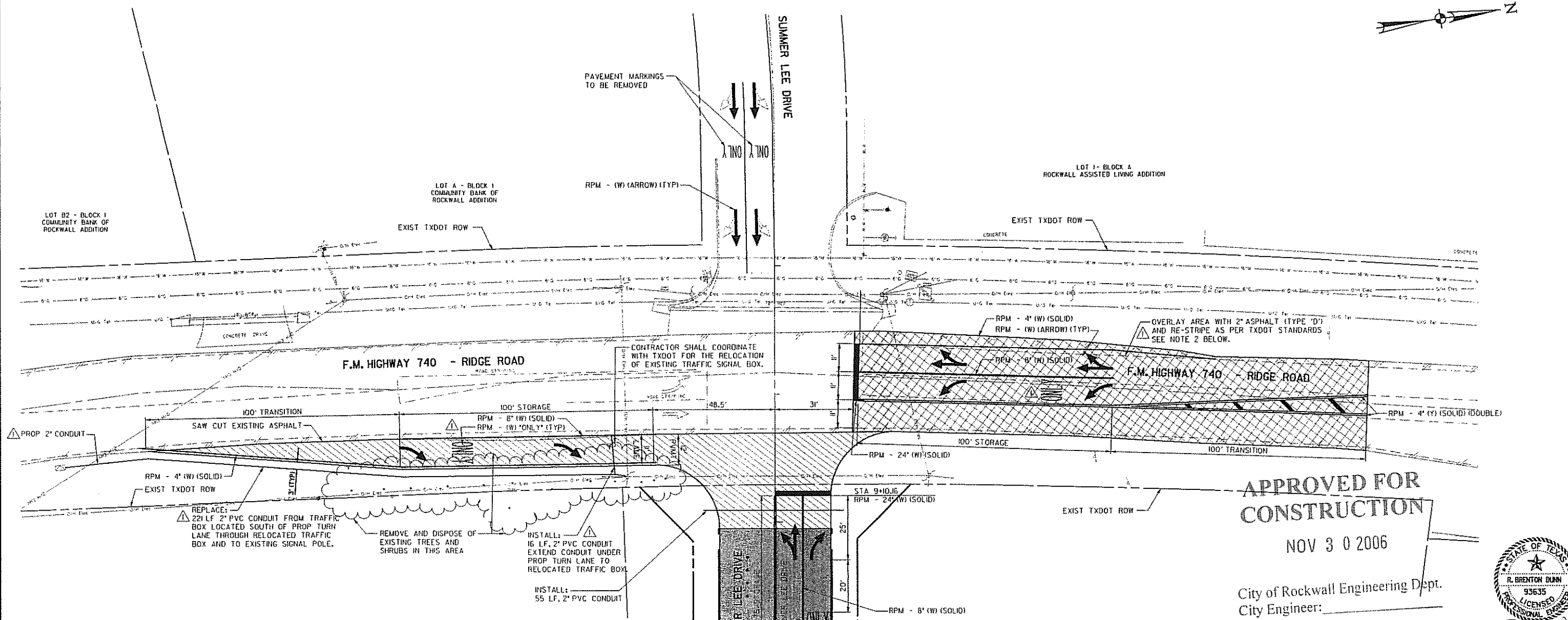
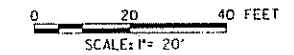
TCB AECOM TURNER COLLIE & BRADEN
17300 DALLAS PARKWAY, SUITE 1010
DALLAS, TEXAS 75248-1157
WWW.TCB.AECOM.COM

| NO. | DATE | REVISION | APPROV. |
|-----|-------|---|---------|
| 1 | | | |
| 2 | | | |
| 3 | | | |
| 4 | 01/06 | END TREATMENT SIZE, REGRADE DITCH, EXTEND RIP-RAP | RBD |

| | | |
|---------------|-----------------|----------------------------|
| Units: A&S | Scale: AS SHOWN | Date: JAN-04-2006 |
| Designed: RBD | Checked: BH | Project No. 60002699.02000 |
| Drawn: JJJ | Approved: RCR | Sheet: 10 of 14 |



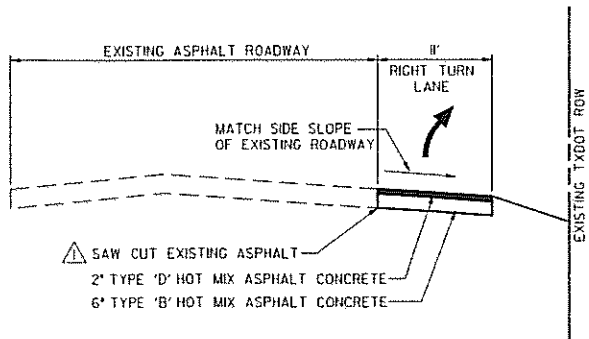
14.2.2006
 10:09:03 AM
 C:\pwworking\turner\proj\5802699\sheet\drainage\plan.dwg
 1:1



APPROVED FOR CONSTRUCTION

NOV 30 2006

City of Rockwall Engineering Dept.
City Engineer: _____



TYPICAL RIGHT TURN LANE SECTION
1\"/>

NOTES:

1. CONTRACTOR SHALL USE APPROPRIATE TXDOT BC & TCP STANDARDS DURING CONSTRUCTION IN TXDOT ROW. CONTRACTOR HAS THE OPTION OF SUBMITTING A SEPARATE TRAFFIC CONTROL PLAN TO TXDOT FOR APPROVAL.
2. PAVEMENT MARKINGS ALONG F.M. HIGHWAY 740 (RIDGE ROAD) SHALL BE IN ACCORDANCE WITH TXDOT STANDARDS. REFER TO SHEETS 13 AND 14 FOR TXDOT STANDARD DETAILS.
3. THE CITY OF ROCKWALL WILL PROVIDE AND INSTALL ALL SIGNAGE FOR THIS PROJECT. PAVEMENT MARKINGS OUTSIDE OF TXDOT ROW (FM 740) WILL BE IN ACCORDANCE WITH THE CITY OF ROCKWALL STANDARDS.

LEGEND

- RPM REFLECTIVE PAVEMENT MARKING
- FIRE HYDRANT
- W WATER VALVE
- GUY WIRE
- POWER POLE
- TRAFFIC SIGNAL PULL BOX
- SIGN
- ⊙ TELEPHONE MANHOLE
- ⊠ TELEPHONE PEDISTAL
- ⊞ MONUMENT
- IRON ROD
- IRON PIPE
- ⊙ SURVEY CONTROL POINT
- ⊙ WATER METER MANHOLE
- ASPHALT
- (SIZE) WATERLINE
- (SIZE) NATURAL GAS LINE
- UG TELEPHONE
- OVERHEAD ELECTRIC
- EXIST CONCRETE
- PROPOSED ASPHALT
- PROPOSED CONCRETE
- PROPOSED 2\"/>

| 4 | | | |
|-----|-------|--|---------|
| 3 | | | |
| 2 | | | |
| 1 | 01/05 | SAW CUT NOTE, REPLACE CONDUIT, REFER TO TXDOT STANDARDS, ADJUST PAVEMENT MARKINGS AND OVERLAY THICKNESS. | RBD |
| NO. | DATE | REVISION | APPROV. |

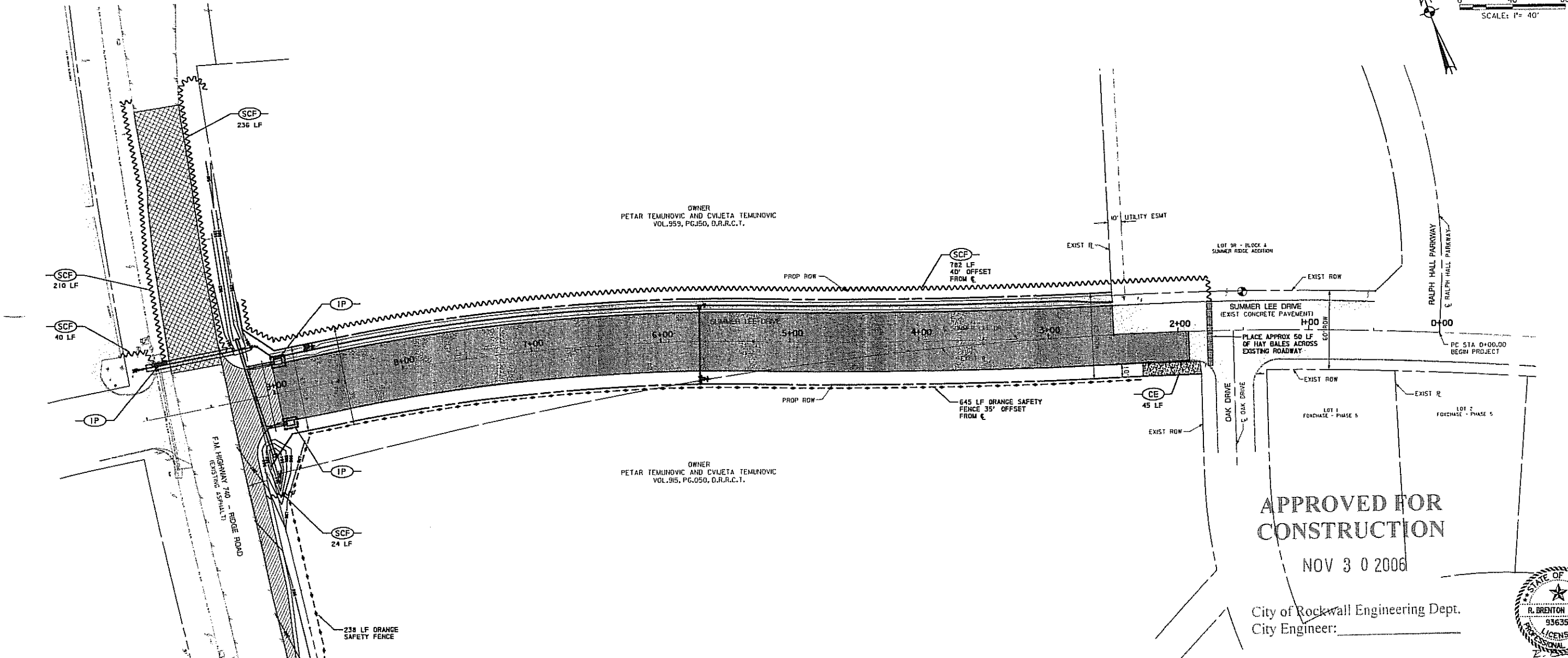
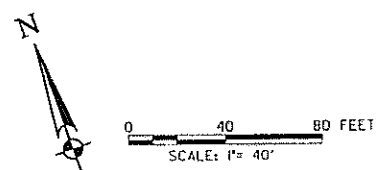
THE CITY OF ROCKWALL, TEXAS
"THE NEW HORIZON"

SUMMER LEE DRIVE EXTENSION

SUMMER LEE DRIVE AND FM 740 INTERSECTION MODIFICATIONS

TCB | AECOM TURNER COLLIE & BRADEN
17300 DALLAS PARKWAY, SUITE 1010
DALLAS, TEXAS 75248-1157
WWW.TCB.AECOM.COM

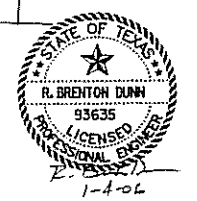
| | | | | | |
|----------|-----|----------|-------|-------------|----------------|
| Units | AE3 | Scale | P=20' | Date | JAN-04-2006 |
| Designed | RBD | Checked | BH | Project No. | 60002699.02000 |
| Drawn | JDJ | Approved | RCR | Sheet | 1 of 14 |



**APPROVED FOR
CONSTRUCTION**

NOV 3 0 2006

City of Rockwall Engineering Dept.
City Engineer: _____



LEGEND

- FIRE HYDRANT
- WATER VALVE
- GUY WIRE
- POWER POLE
- TRAFFIC SIGNAL PULL BOX
- SIGN
- TELEPHONE MANHOLE
- TELEPHONE PEDIESTAL
- MONUMENT
- IRON ROD
- IRON PIPE
- SURVEY CONTROL POINT
- WATER METER MANHOLE
- ASPHALT
- (12") WATER LINE
- (6") NATURAL GAS LINE
- (24") UNGROUND TELEPHONE
- (0") OVERHEAD ELECTRIC
- EXIST CONCRETE
- PROPOSED ASPHALT
- PROPOSED CONCRETE
- CONSTRUCTION EXIT (TYPE 1)
- INLET PROTECTION (SCF AROUND INLET)
- SEDIMENT CONTROL FENCE

| 4 | | | |
|-----|------|----------|---------|
| 3 | | | |
| 2 | | | |
| 1 | | | |
| NO. | DATE | REVISION | APPROV. |



SUMMER LEE DRIVE EXTENSION

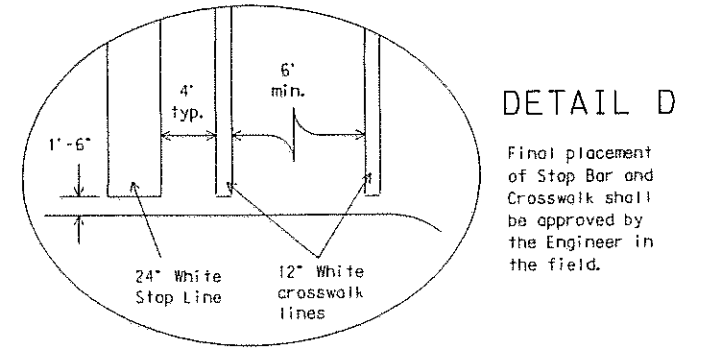
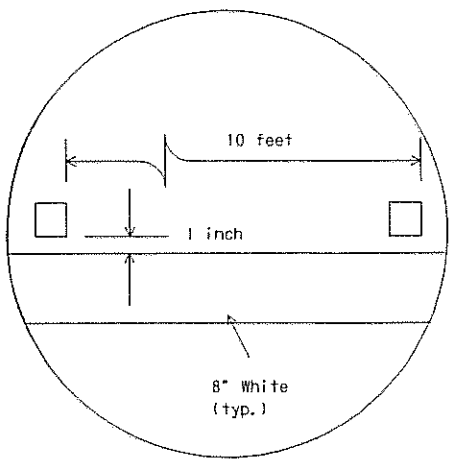
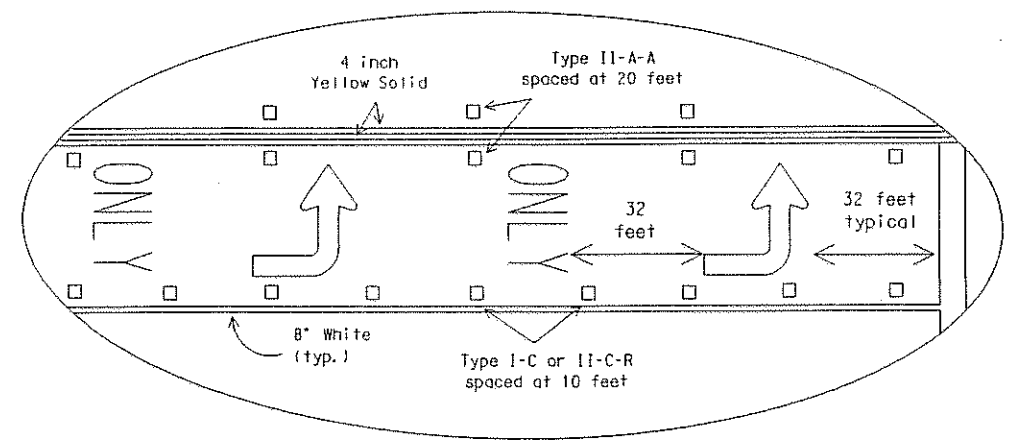
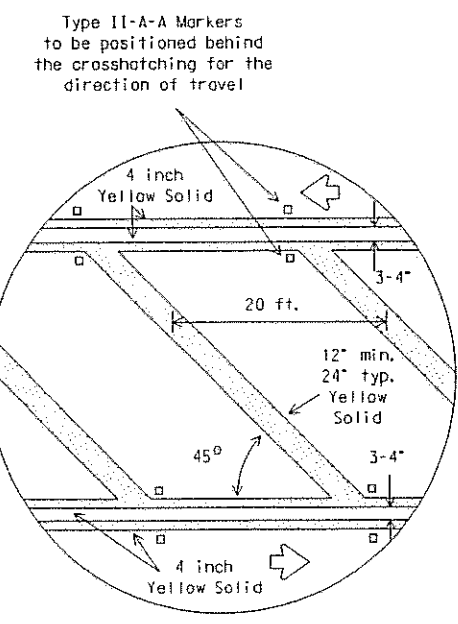
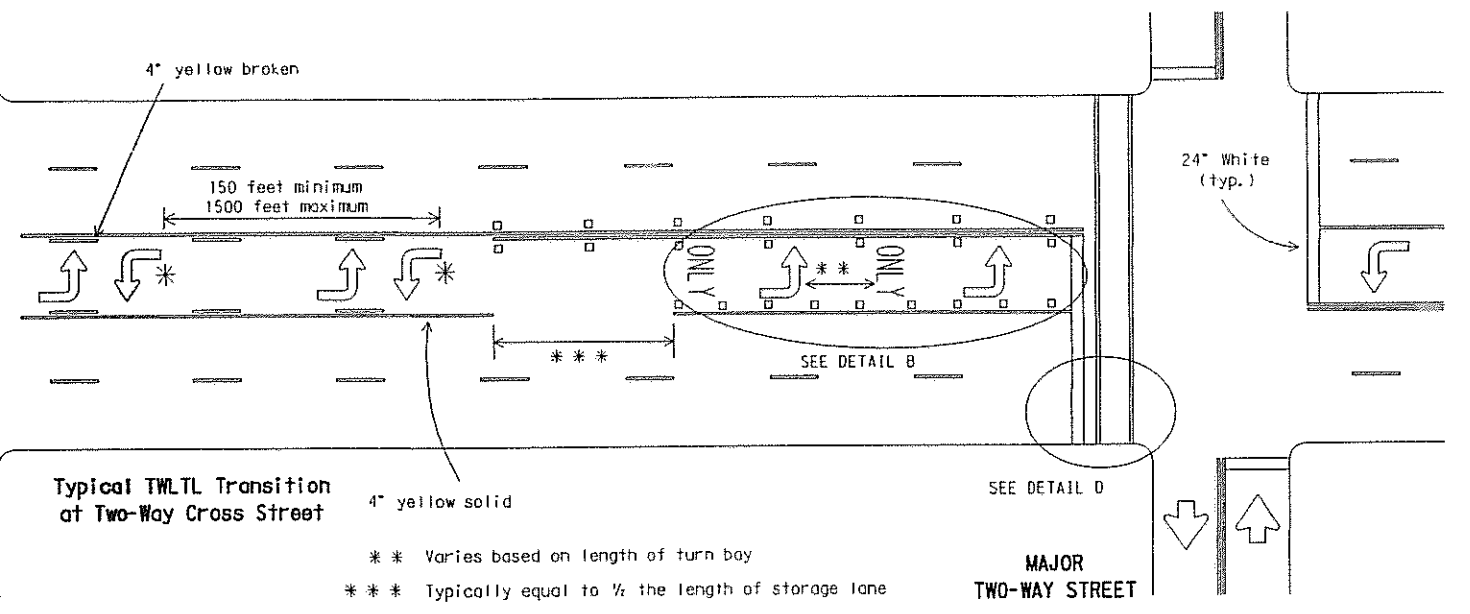
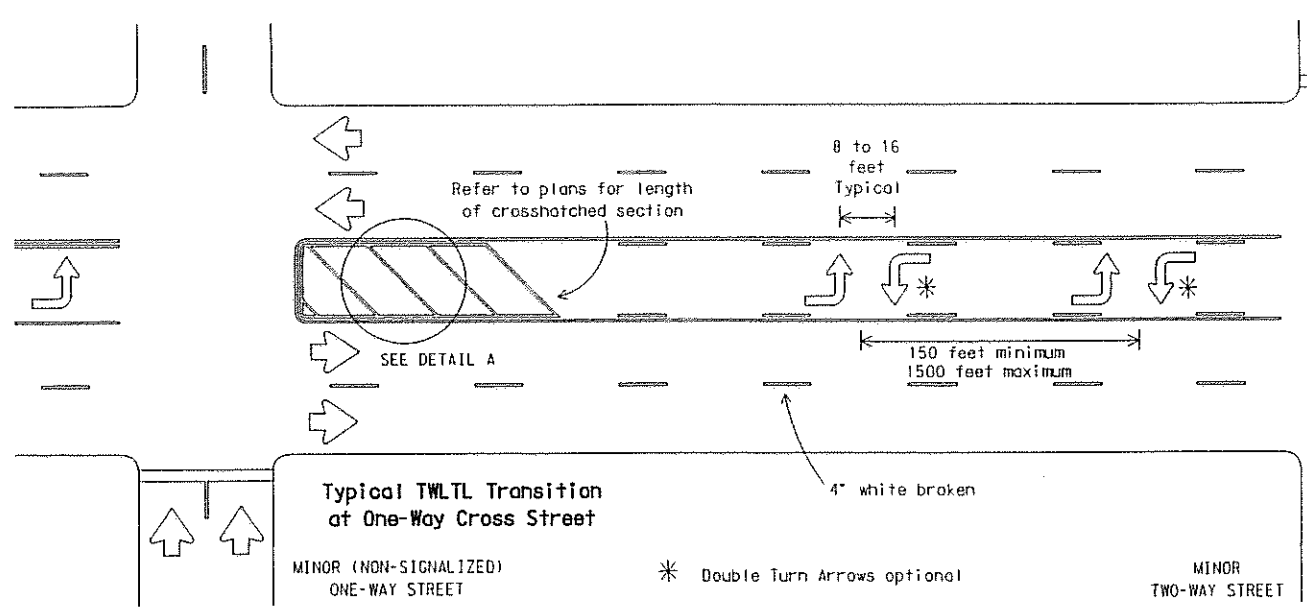
STORM WATER POLLUTION
PREVENTION PLAN

TCB | AECOM TURNER COLLIE & BRADEN
17300 DALLAS PARKWAY, SUITE 1010
DALLAS, TEXAS 75248-1157
WWW.TCB.AECOM.COM

| | | |
|---------------|---------------|----------------------------|
| Unit: A&S | Scale: 1"=40' | Date: JAN-04-2006 |
| Designed: RBD | Checked: BH | Project No. 60002599.02000 |
| Drawn: JJJ | Approved: RCR | Sheet 12 of 14 |

1/4/2006 10:07:02 AM D:\rockwall\summer lee\12\road\smw\12\scf.dwg

DISCLAIMER: The use of this standard is governed by the "Texas Engineering Practice Act". No warranty of any kind is made by TxDOT for any purpose whatsoever. TxDOT assumes no responsibility for the conversion of this standard to other formats or for incorrect results or damages resulting from its use.



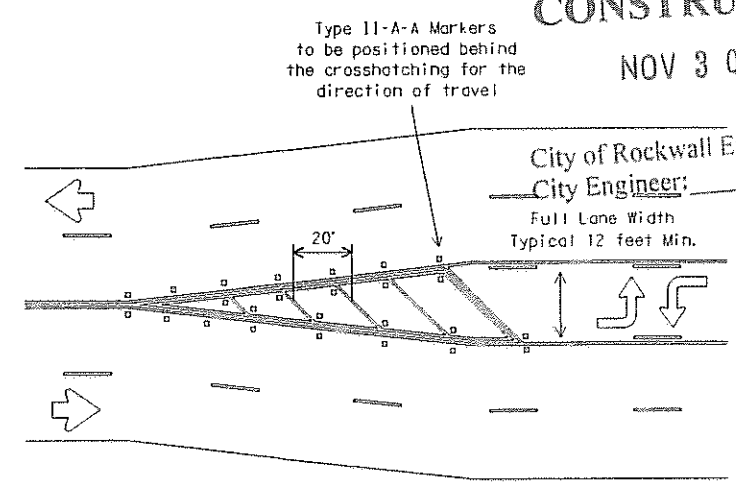
DETAIL C

Raised pavement marker Type I-C with undivided highways, flush medians and two way left turn lanes. Raised pavement marker Type II-C-R with divided highways and raised medians.

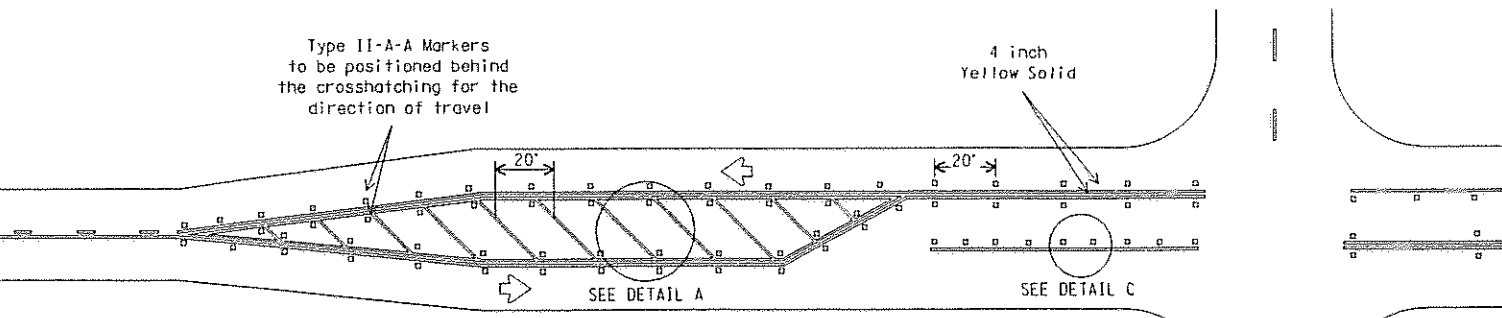
GENERAL NOTES
 Refer elsewhere in plans for additional RPM placement and details. Details for words and arrows as shown on other sheets.
 All pavement marking materials shall meet the required Departmental Material Specifications as specified by the plans.
 For a left turn bay, two sets of words and arrows shall be used if the length of the bay is equal to or greater than 180 feet. The bottom of the first ONLY shall be placed at the beginning of the turn bay lane line as shown above.
 Other crosswalk patterns as shown in the "Texas Manual on Uniform Traffic Control Devices" may be used.

APPROVED FOR CONSTRUCTION
 NOV 30 2006

City of Rockwall Engineering
 City Engineer:
 Full Lane Width
 Typical 12 feet Min.



TYPICAL TRANSITION FOR TWLTL AND DIVIDED HIGHWAY



TYPICAL TWO-LANE HIGHWAY INTERSECTION WITH LEFT TURN BAYS

REPLICATION REFERENCE TABLE

| MATERIAL SPECIFICATIONS | DMS-4200 |
|------------------------------------|----------|
| PAVEMENT MARKERS (REFLECT.) | DMS-6100 |
| EPOXY | DMS-6100 |
| BITUMINOUS ADHESIVE FOR PAVE. MKS. | DMS-6130 |

STANDARD PLANS
 Texas Department of Transportation
 Traffic Operations Division

PAVEMENT MARKINGS FOR TWO-WAY LEFT TURN LANES DIVIDED HIGHWAYS AND RURAL LEFT TURN BAYS
 PM(4)-03

| | | | | | |
|--------------------|---------|---------|---------|---------|-------------|
| © TxDOT April 1998 | 04-BAS | 04-GRB | 04-FDH | 04-CAL | 04-MLL |
| REVISIONS | DATE | BY | REASON | PROJECT | |
| 5-00 | | | | | 13 |
| 8-00 | | | | | |
| 3-03 | | | | | |
| | COUNTY | CENTRAL | SECTION | JOB | DESCRIPTION |
| | TARRANT | D-302 | 48 | 537 | CS |

LEVELS DISPLAYED
 1 2 3 4 5 6 7 8 9 10 11 12 13 14 15 16 17 18 19 20 21 22 23 24 25 26 27 28 29 30 31 32 33 34 35 36 37 38 39 40 41 42 43 44 45 46 47 48 49 50 51 52 53 54 55 56 57 58 59 60 61 62 63 64 65 66 67 68 69 70 71 72 73 74 75 76 77 78 79 80 81 82 83 84 85 86 87 88 89 90 91 92 93 94 95 96 97 98 99 100
 10/09/04 AM P:\rockwall\transportation\100110\100110.dwg
 1/27/2006

