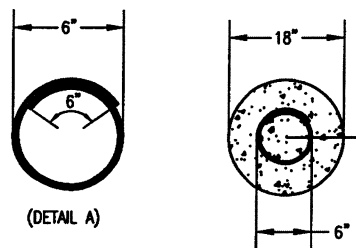


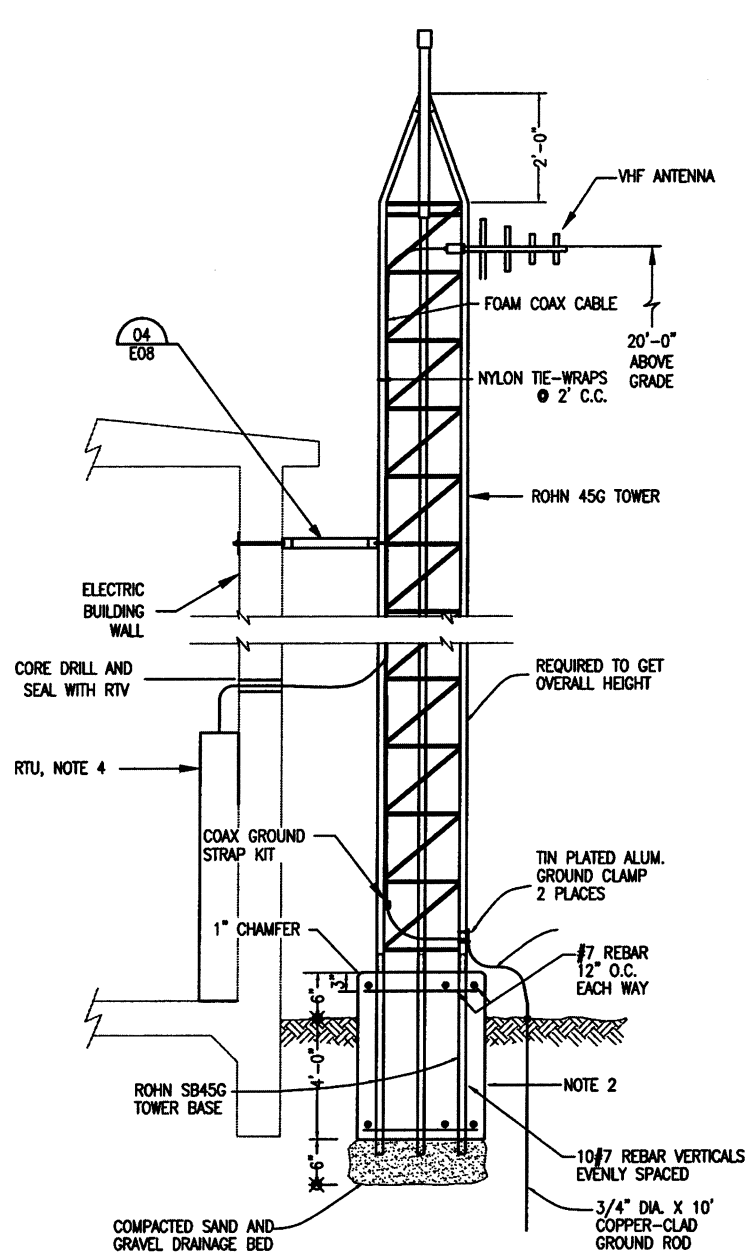
- NOTES:
- POLE SHALL BE 5" SQUARE STRAIGHT ALUMINUM. POLE SHALL BE RATED @ 100 MPH + 30% GUST FACTOR W/ HINGED POLE BASE. PROVIDE GARCO #SSAS-HB-18 OR APPROVED EQUAL.
 - ALL PROPOSED CONDUITS SHALL BE A MINIMUM OF 24" BELOW GRADE.
 - POLE BASE SHALL BE 24" ABOVE GRADE.
 - CONCRETE SHALL BE 3000 PSI @ 28 DAYS.

01 LIGHTING FIXTURE AND POLE INSTALLATION



| REINFORCING SCHEDULE | | | |
|----------------------|------|--------|-----------------|
| NUMBER | SIZE | LENGTH | SHAPE |
| 6 | #4 | 6.5' | STRAIGHT |
| 6 | #3 | 2'-1" | HOOP (DETAIL A) |

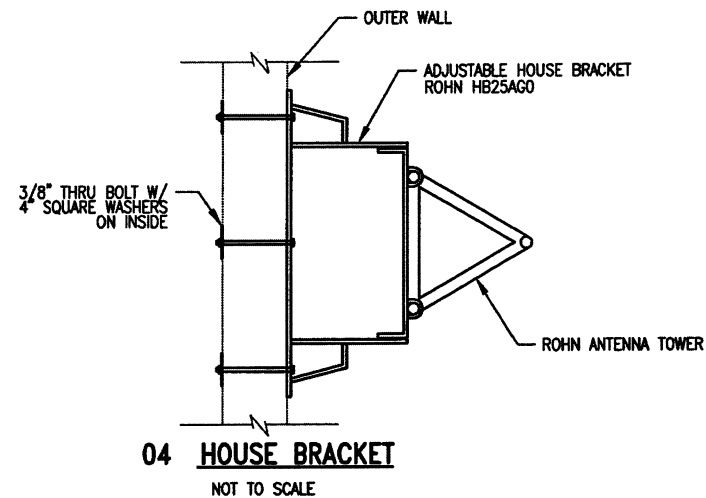
02 DETAIL - LIGHT POLE PIER



- NOTES:
- ALL CONDUIT BENDS SHALL BE 24" RADIUS.
 - ANTENNA BASE SHALL BE CLASS A 4000 PSI, 30% CONCRETE AND CONSTRUCTED AS SHOWN AS A MINIMUM.
 - TOWER SHALL CONSIST OF 2- 10' SECTIONS AND #25AG1 TOP SECTION. BOTTOM 10' SECTION EMBEDDED IN CONCRETE AS SHOWN.
 - MOUNT RTU ON INSIDE OF WALL AS DIRECTED BY OWNER. OBTAIN POWER FROM NEAREST RECEPTACLE.

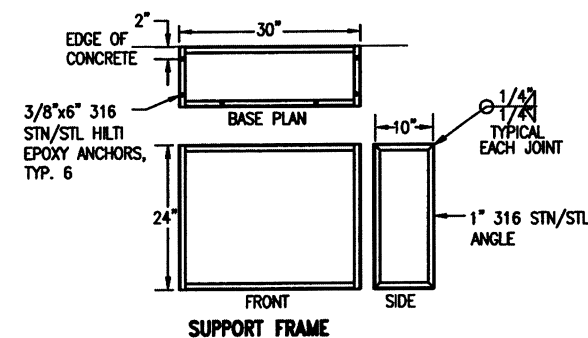
03 ANTENNA TOWER DETAIL

NOT TO SCALE



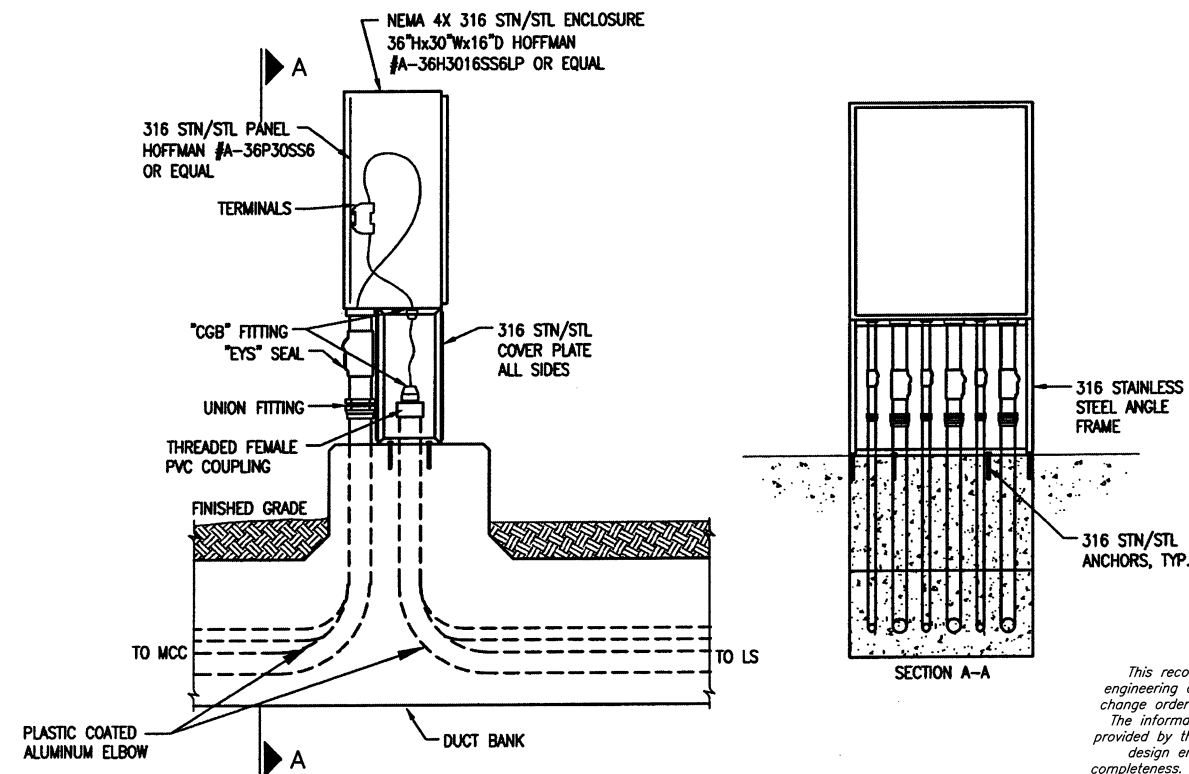
04 HOUSE BRACKET

NOT TO SCALE



05 PUMP JUNCTION BOX

NOT TO SCALE



05 PUMP JUNCTION BOX

NOT TO SCALE

This record drawing is a compilation of the sealed engineering drawing for this project; modified by addenda, change orders and information furnished by the contractor. The information shown on the record drawings that was provided by the contractor or others not associated with the design engineer cannot be verified for accuracy or completeness. This original sealed drawings are on file at the offices of Birkhoff, Hendricks & Carter, L.L.P.
 BY PAC DATE 03/06/12

BIRKHOFF, HENDRICKS & CARTER, L.L.P.
 PROFESSIONAL ENGINEERS
 Texas Firm F526
 11910 Greenville Ave., Suite 600
 Dallas, Texas 75243 (214) 361-7900



THESE DOCUMENTS ARE FOR BIDDING, CONSTRUCTION, AND PERMIT PURPOSES.
 DATE: 5-28-2010
 McCREARY & ASSOCIATES, INC.
 Consulting Engineers
 Dallas, Texas FIRM No. F-338

CITY OF ROCKWALL, TEXAS
 SQUABBLE CREEK LIFT STATION
 DETAILS II

BHC PROJECT NO. 2007-110
 MAY 2010
 SHEET NO. **E08**

These plans and related specifications were prepared for construction of this specific project only. Reuse of these documents is not permitted without authorization of Birkhoff, Hendricks & Carter, L.L.P.