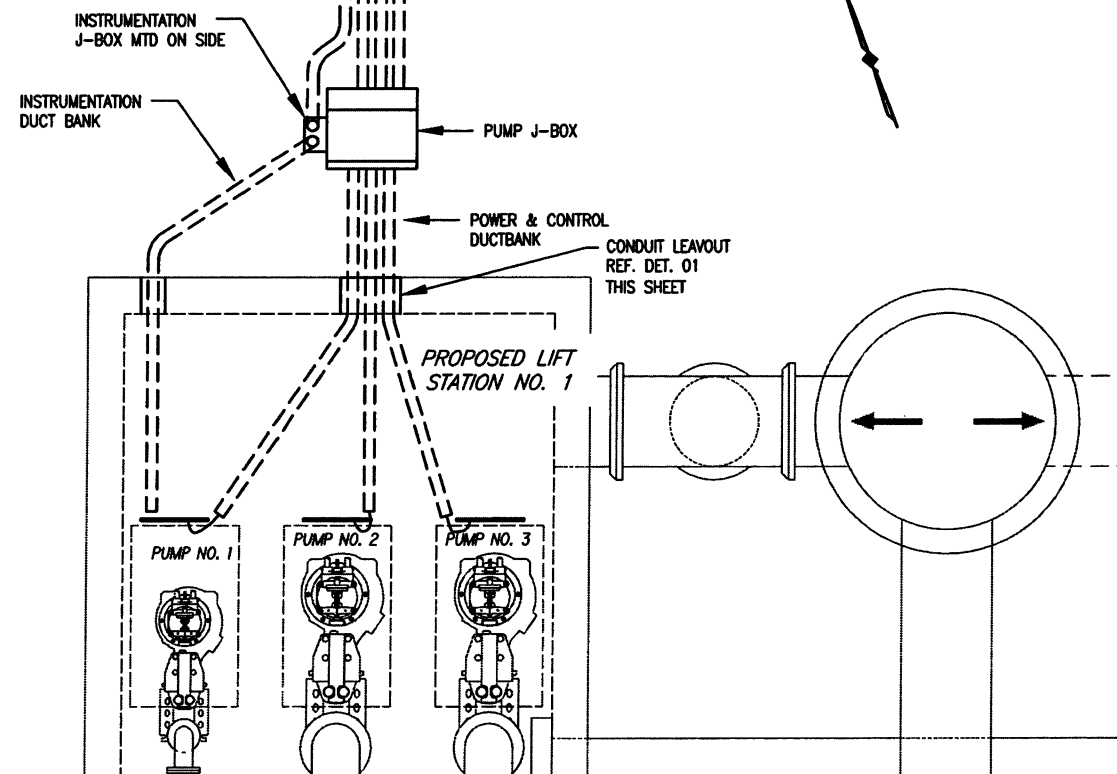
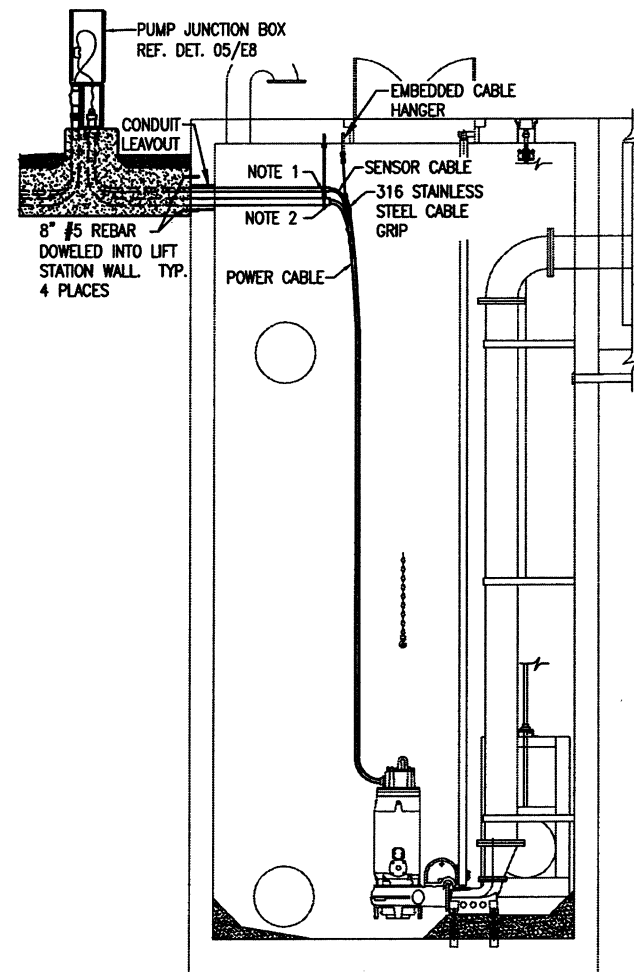


- NOTES:
 1. ALL UNDERGROUND CONDUIT DUCTBANKS SHALL BE CONCRETE ENCASED, INCLUDING UNDER ELECTRIC BUILDING.
 2. TIE IN CONCRETE DUCTBANKS INTO BUILDING SLAB AND STEEL.



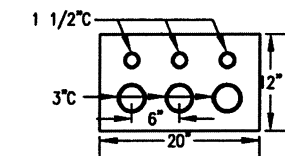
ELECTRICAL PLAN



- NOTES:
 1. ALL HARDWARE IN WET WELL SHALL BE 316 STAINLESS STEEL.
 2. BEVEL AND ROUND INSIDE SCHEDULE #80 PVC CONDUIT. TYP. ALL CONDUITS.

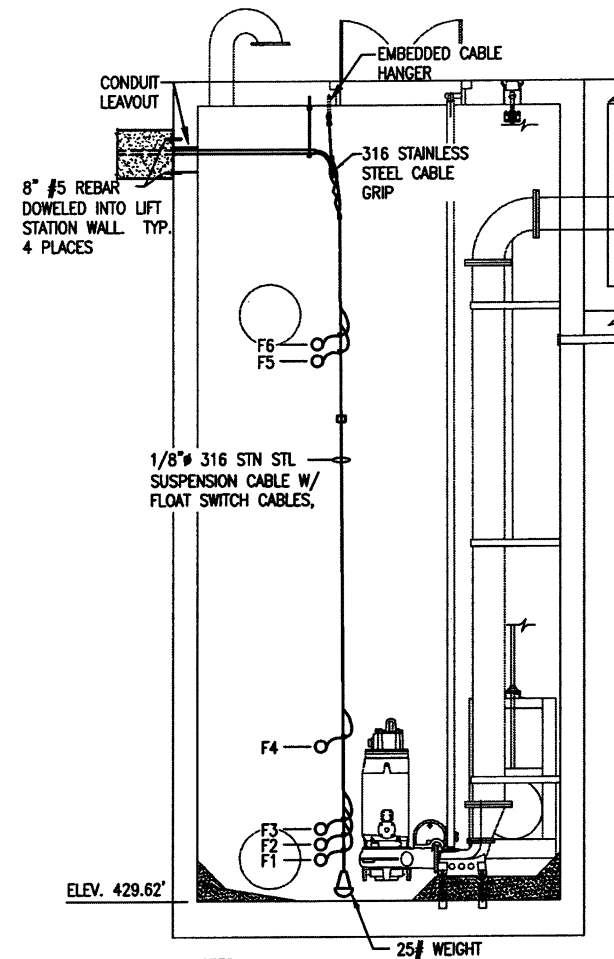
ELEVATION - MOTOR CABLES

NOT TO SCALE



01 DETAIL-CONDUIT LEAVOUT

NOT TO SCALE



- NOTES:
 1. MOTOR & CONTROL CABLES NOT SHOWN FOR CLARITY.

FLOAT	FUNCTION	ELEVATION IN FT.
F6	2ND LAG PUMP ON	452.16
F5	1ST LAG PUMP ON	452.16
F4	HIGH LEVEL ALARM	435.00
F3	LEAD PUMP ON	432.89
F2	LLCO RESET, ALL PUMPS OFF	432.12
F1	LLCO	431.12

ELEVATION - INSTRUMENTATION

NOT TO SCALE

This record drawing is a compilation of the sealed engineering drawing for this project; modified by addenda, change orders and information furnished by the contractor. The information shown on the record drawings that was provided by the contractor or others not associated with the design engineer cannot be verified for accuracy or completeness. This original sealed drawings are on file at the offices of Birkhoff, Hendricks & Carter, L.L.P.
 BY PAC DATE 03/06/12

These plans and related specifications were prepared for construction of this specific project only. Reuse of these documents is not permitted without written authorization of Birkhoff, Hendricks & Carter, L.L.P.

BIRKHOFF, HENDRICKS & CARTER, L.L.P.
 PROFESSIONAL ENGINEERS
 Texas Firm F526
 11910 Greenville Ave., Suite 600
 Dallas, Texas 75243 (214) 361-7900



THESE DOCUMENTS ARE FOR BIDDING, CONSTRUCTION, AND PERMIT PURPOSES.
Joseph A. Kotter
 DATE: 5-28-2010
 McCREARY & ASSOCIATES, INC.
 Consulting Engineers
 Dallas, Texas FIRM No. F-338

CITY OF ROCKWALL, TEXAS
 SQUABBLE CREEK LIFT STATION
 LIFT STATION ELECTRICAL PLAN

BHC
 PROJECT NO.
 2007-110

MAY 2010

SHEET NO.
E06