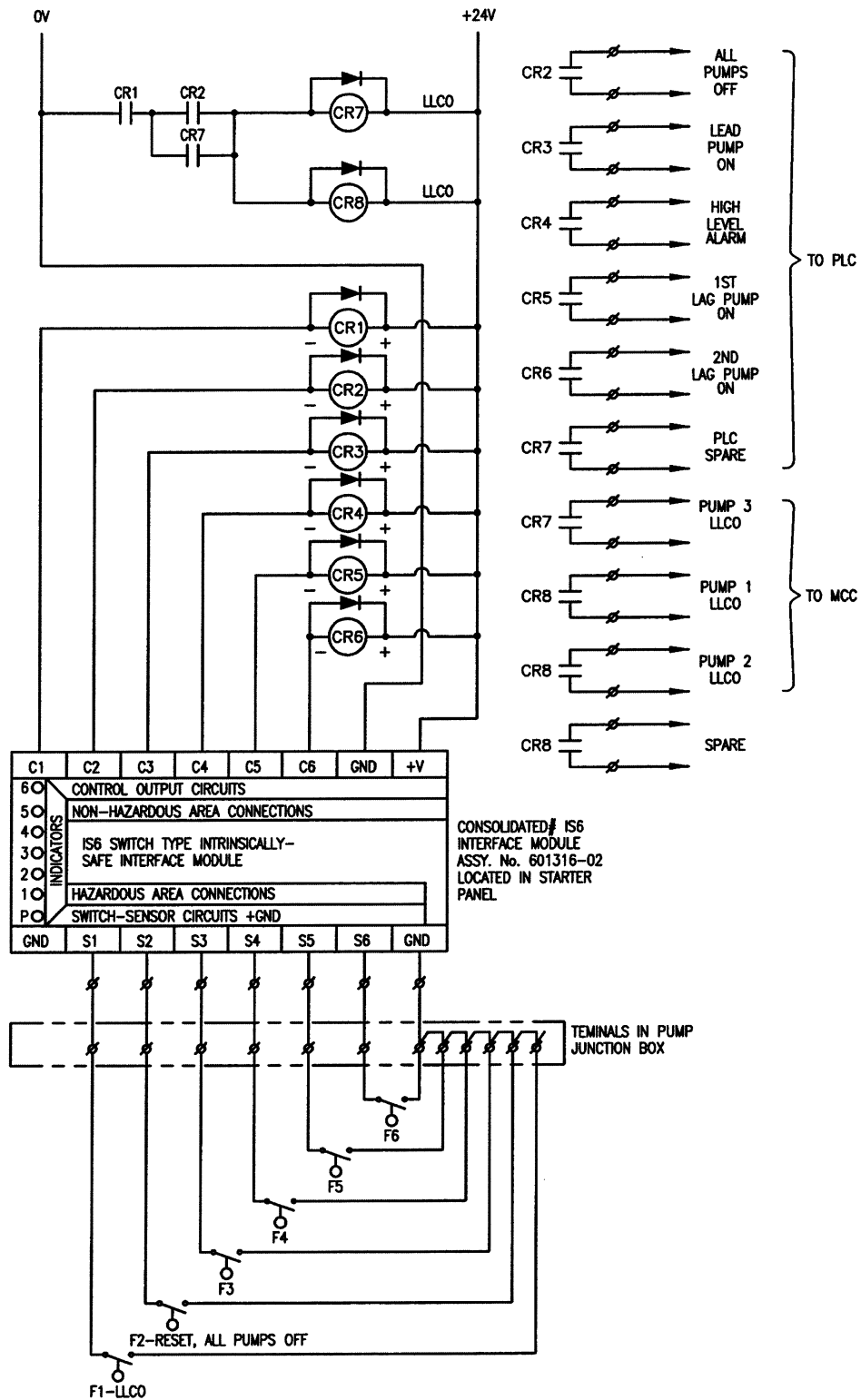
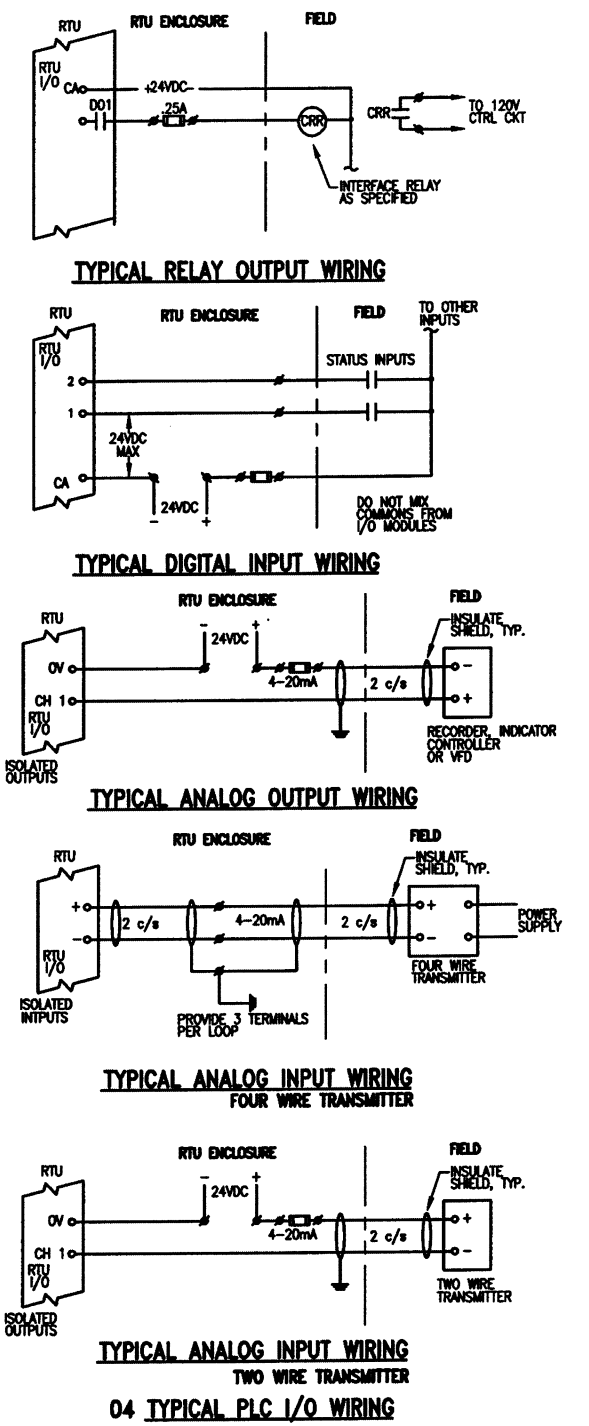


CONDUIT AND CABLE SCHEDULE				
TAG	WIRING	CONDUIT SOURCE	DESTINATION	COMMENTS
1000	2 SETS, EACH: 3#500, #2/0G	4"	UTILITY TRANSFORMER	MAIN BREAKER
1001	2 SETS, EACH: 3#500, #2/0G	4"	MAIN BREAKER	ATS
1002	2 SETS, EACH: 3#500, #2/0G	4"	ATS	MCC-A
1003	2 SETS, EACH: 3#500, #2/0G	4"	ATS	GENERATOR BREAKER
1004	2 SETS, EACH: 3#500, #2/0G	4"	GENERATOR BREAKER	GENERATOR
1005	10 #14	1"	ATS	GENERATOR CONTROL PANEL
1006	2#8, #8N, #8G	1"	LIGHTING PANEL	GENERATOR
1007	2#14	1 1/4"	GENERATOR CONTROL PANEL	INSTRUMENT PANEL
1008	3 #250, #1/0G	3"	SS #1	PUMP JUNCTION BOX
1008A	MANUFACTURER'S CABLE	3"	PUMP JUNCTION BOX	PUMP MOTOR #1
1009	10 #14	1"	SS #1	PUMP JUNCTION BOX
1009A	MANUFACTURER'S CABLE	1 1/2"	PUMP JUNCTION BOX	PUMP MOTOR #1
1010	3 #250, #1/0G	3"	SS #2	PUMP JUNCTION BOX
1010A	MANUFACTURER'S CABLE	3"	PUMP JUNCTION BOX	PUMP MOTOR #2
1011	10 #14	1"	SS #2	PUMP JUNCTION BOX
1011A	MANUFACTURER'S CABLE	1 1/2"	PUMP JUNCTION BOX	PUMP MOTOR #2
1012	3 #6, #6G	1"	SS #3	PUMP JUNCTION BOX
1012A	3 #6, #6G	3"	PUMP JUNCTION BOX	PUMP MOTOR #3
1013	10 #14	1"	SS #3	PUMP JUNCTION BOX
1013A	MANUFACTURER'S CABLE	1 1/2"	PUMP JUNCTION BOX	PUMP MOTOR #3
1014	3#8, #8G	1"	MCC	A/C UNIT AC-1
1015	2C/S#16, 4#14	1"	INSTRUMENT PANEL	DISCHARGE FLOWMETER
1016	2C/S#16, 4#14	1"	DISCHARGE FLOWMETER	METER VAULT
1017	MANUFACTURES CABLE	1-1/4"	INSTRUMENT PANEL	DISCHARGE FLOWMETER
1018	MANUFACTURERS CABLE	1-1/4"	INSTRUMENT PANEL	DISCHARGE FLOWMETER
				COIL EXCITATION
				SENSING CIRCUITS

LIFT STATION RTU I/O					
TAG DESCRIPTION	I/O TYPE	FUNCTION	FIELD DEVICE	RANGE	COMMENTS
PUMP No.1	D/I	STATUS	SS#1		ON/OFF
PUMP No.1	D/O	CONTROL	SS#1		ON/OFF
PUMP No.1 HOA IN AUTO	D/I	STATUS			
PUMP No.1	D/I	ALARM	SS#1		
PUMP No.1 HOA IN HAND	D/I	STATUS	SS#1		
PUMP No.2	D/I	STATUS	SS#2		ON/OFF
PUMP No.2	D/O	CONTROL	SS#2		ON/OFF
PUMP No.2 HOA IN AUTO	D/I	STATUS			
PUMP No.2	D/I	ALARM	SS#2		
PUMP No.2 HOA IN HAND	D/I	STATUS	SS#2		
PUMP No.3	D/I	STATUS	SS#3		ON/OFF
PUMP No.3	D/O	CONTROL	SS#3		ON/OFF
PUMP No.3 HOA IN AUTO	D/I	STATUS			
PUMP No.3	D/I	ALARM	SS#3		
PUMP No.3 IN HAND	D/I	STATUS	SS#3		
POWER FAILURE	D/I	ALARM			
ATS NORMAL	D/I	STATUS			
ATS EMERGENCY	D/I	ALARM			
GENERATOR ON	D/I	STATUS			
GENERATOR FUEL LEVEL	D/I	ALARM			FUEL LEVEL - 50%
GENERATOR ALARM	D/I	ALARM			
DISCHARGE FLOWMETER	A/I	FLOW			
DISCHARGE FLOWMETER	D/I	FLOW			
FLOAT SWITCH F1, F2	D/I	ALARM			LLCO
FLOAT SWITCH F3	D/I	ALARM			ALL PUMPS OFF
FLOAT SWITCH F4	D/I	ALARM			LEAD PUMP ON
FLOAT SWITCH F5	D/I	ALARM			HIGH LEVEL ALARM ON
FLOAT SWITCH F6	D/I	ALARM			1ST LAG PUMP ON
FLOAT SWITCH F7	D/I	ALARM			2ND LAG PUMP ON
SPD	D/I	ALARM			



SCHEMATIC - LOW LEVEL CUTOFF



This record drawing is a compilation of the sealed engineering drawing for this project, modified by addenda, change orders and information furnished by the contractor. The information shown on the record drawings that was provided by the contractor or others not associated with the design engineer cannot be verified for accuracy or completeness. This original sealed drawings are on file at the offices of Birkhoff, Hendricks & Carter, L.L.P.
 BY PAC DATE 03/06/12

These plans and related specifications were prepared for construction of this specific project only. Reuse of these documents is not permitted without written authorization of Birkhoff, Hendricks & Carter, L.L.P.

BIRKHOFF, HENDRICKS & CARTER, L.L.P.
 PROFESSIONAL ENGINEERS
 Texas Firm F526
 11910 Greenville Ave., Suite 600
 Dallas, Texas 75243 (214) 361-7900



THESE DOCUMENTS ARE FOR BIDDING, CONSTRUCTION, AND PERMIT PURPOSES.
 DATE: 5-28-2010
 McCREARY & ASSOCIATES, INC.
 Consulting Engineers
 Dallas, Texas FIRM No. F-338

CITY OF ROCKWALL, TEXAS
 SQUABBLE CREEK LIFT STATION
 CONDUIT AND CABLE SCHEDULE

BHC PROJECT NO. 2007-110
 MAY 2010
 SHEET NO. **E04**