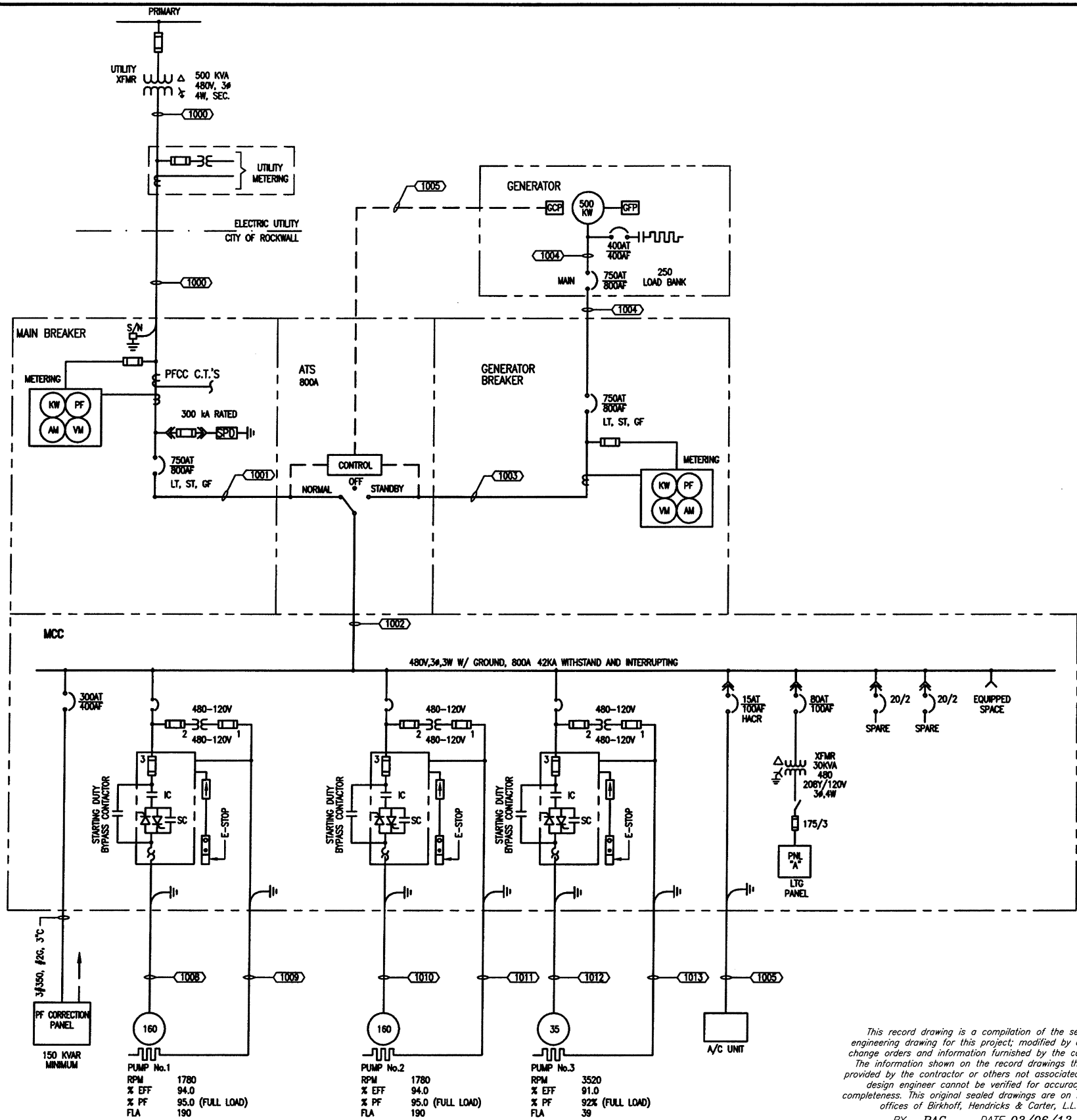


These plans and related specifications were prepared for construction of this specific project only. Reuse of these documents is not permitted without written authorization of Birkhoff, Hendricks & Carter, L.L.P.

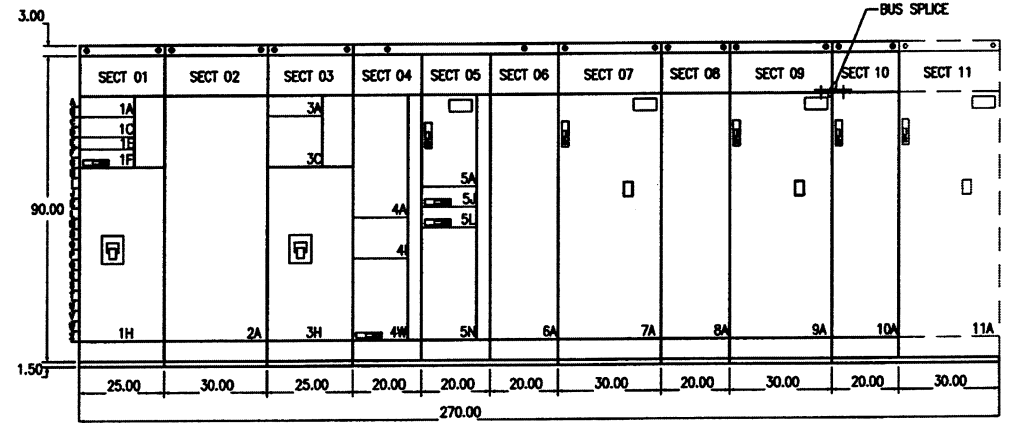


ONE LINE DIAGRAM

This record drawing is a compilation of the sealed engineering drawing for this project, modified by addenda, change orders and information furnished by the contractor. The information shown on the record drawings that was provided by the contractor or others not associated with the design engineer cannot be verified for accuracy or completeness. This original sealed drawings are on file at the offices of Birkhoff, Hendricks & Carter, L.L.P.
BY PAC DATE 03/06/12

SYMBOL	DESCRIPTION	SYMBOL	DESCRIPTION
⏚	POWER TRANSFORMER	⏚	SPACE HEATER
⏚	CURRENT TRANSFORMER	⏚	SOLID NEUTRAL
⏚	CONTROL POWER (CPT) OR POTENTIAL (PT) TRANSFORMER	⏚	DELTA CONNECTED TRANSFORMER WINDINGS
⏚	THERMAL MAGNETIC CIRCUIT BREAKER; AF=FRAME SIZE, AT=AMP TRIP	⏚	WYE CONNECTED TRANSFORMER WINDINGS
⏚	MAGNETIC ONLY CIRCUIT BREAKER; NUMBER INDICATES CONTINUOUS CURRENT RATING	⏚	LIGHTING ARRESTER
⏚	STAB-IN CONNECTION, NUMBER INDICATES MCC UNIT DESIGNATION	⏚	SURGE CAPACITOR
⏚	FUSE	⏚	VOLTMETER SWITCH
⏚	FUSED SWITCH	⏚	VOLTMETER
⏚	FULL VOLTAGE, NON-REVERSING STARTER, WITH OVERLOAD RELAY, NUMBER INDICATES NEMA SIZE	⏚	AMMETER SWITCH
⏚	CONNECTION TO GROUND	⏚	AMMETER
		⏚	TRANSIENT VOLTAGE SURGE SUPPRESSION
		⏚	KIRK KEY INTERLOCK
		⏚	SOLID STATE SOFT STARTER
		⏚	VARIABLE FREQUENCY DRIVE

UNIT	DESCRIPTION	UNIT	DESCRIPTION
1A	MONITORING UNIT FOR MAIN	4W	A/C
1C	LA/SC	5A	PFCC
1E	SPACE	5L	SPARE
1F	SURGE PROTECTION DEVICE	5N	30 KVA TRANSFORMER
1H	MAIN	6A	ADD POWER FOR PUMP 1
2A	ATS	7A	PUMP 1
3A	METERING	8A	ADD POWER FOR PUMP 2
3C	SPACE	9A	PUMP 2
3H	GENERATOR MAIN	10A	PUMP 3
4A	FROM ATS	11A	FUTURE ADD POWER PUMP 3
4I	SPARE		



BIRKHOFF, HENDRICKS & CARTER, L.L.P.
PROFESSIONAL ENGINEERS
Texas Firm F526
11910 Greenville Ave., Suite 600
Dallas, Texas 75243 (214) 361-7900



THESE DOCUMENTS ARE FOR BIDDING, CONSTRUCTION, AND PERMIT PURPOSES.
DATE: 5-28-2010
McCREARY & ASSOCIATES, INC.
Consulting Engineers
Dallas, Texas FIRM No. F-338

CITY OF ROCKWALL, TEXAS
SQUABBLE CREEK LIFT STATION
ONE LINE DIAGRAM

BHC PROJECT NO. 2007-110
MAY 2010

SHEET NO. **E02**