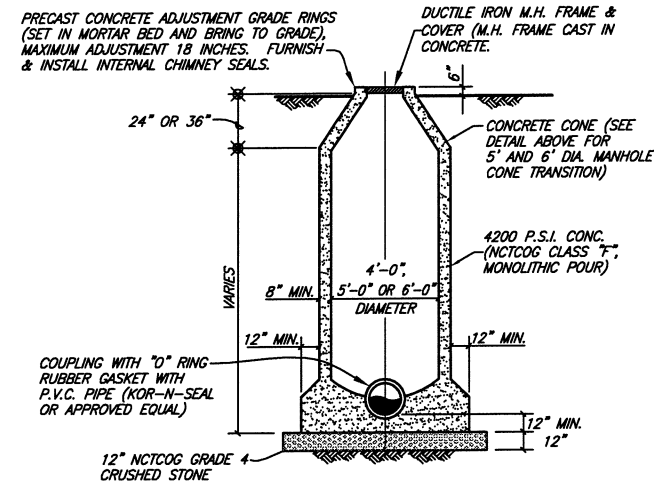
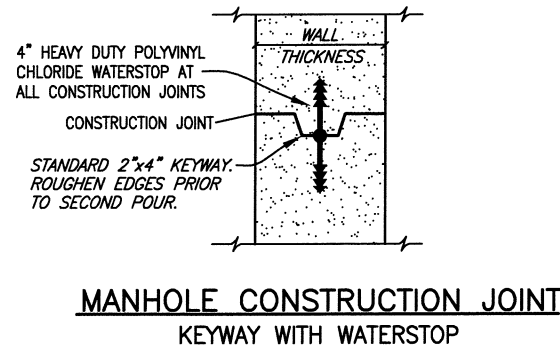
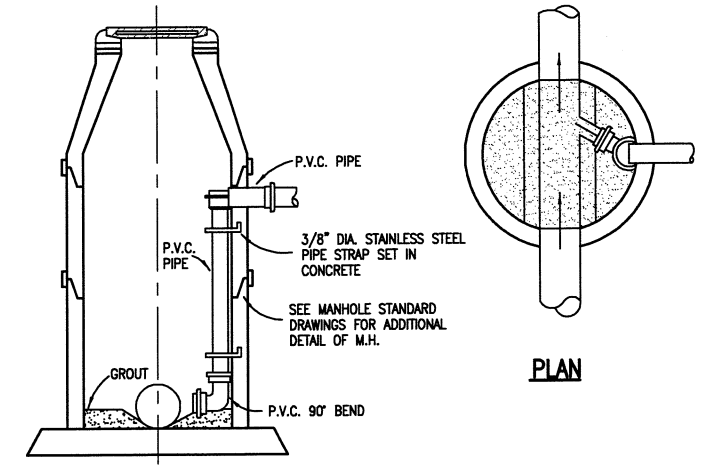


**STANDARD SEWER NOTES**

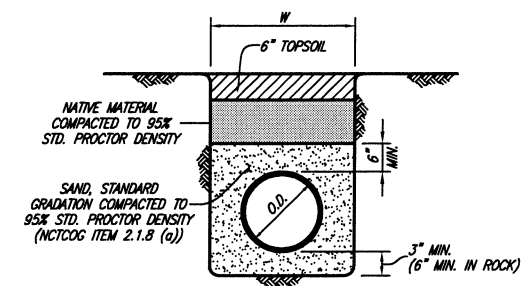
- SEWER LINES SHALL BE CONSTRUCTED IN ACCORDANCE WITH THE CURRENT CITY OF ROCKWALL, SPECIFICATIONS AND CODES.
- FOR OPEN CUT GRAVITY SEWER & FORCE MAIN INSTALLATION, CONTRACTOR SHALL FURNISH & INSTALL GREEN SEWER E.M.T. MARKER PADS AT ALL MANHOLES, CLEANOUTS, SERVICES, CHANGES IN DIRECTION AND 250- FEET ALONG THE LENGTH OF THE SEWER LINE, PAYMENT FOR FURNISHING THE E.M.T. MARKER PADS SHALL BE SUBSIDIARY TO SEWER LINE INSTALLATION.
- STANDARD MANHOLE FRAMES AND 24" DIAMETER COVER SHALL BE PAMREX 24" AS MANUFACTURED BY CERTAINTEE CORPORATION. TYPE "S" MANHOLE FRAME AND 24" COVER SHALL BE PAMTIGHT 24" AS MANUFACTURED BY CERTAINTEE CORPORATION.
- 4200 P.S.I. CONCRETE SHALL BE USED FOR ALL MANHOLES.
- USE ONLY A NON-SHEAR COUPLING FOR PIPE CONNECTIONS.
- WHEN THE TRENCH SAFETY EXCEEDS 5 FEET IN DEPTH, THE CONTRACTOR SHALL MEET OR EXCEED THE O.S.H.A. STANDARDS FOR TRENCH SAFETY.



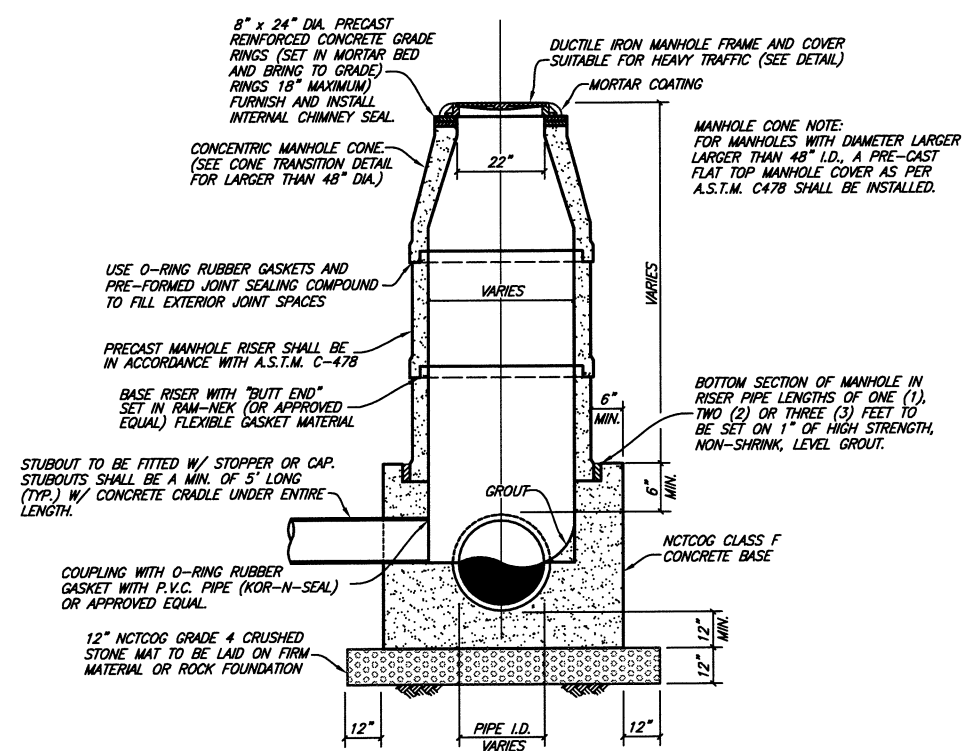
**STANDARD MANHOLE ELEVATION**  
4', 5' & 6' DIAMETER MANHOLES  
**SANITARY SEWER MANHOLE (CAST IN PLACE)**



**ELEVATION**  
**DROP MANHOLE (INSIDE DROP)**  
N.C.T.C.O.G. ITEM 6.7.2.(f)



**CLASS B-4 EMBEDMENT**



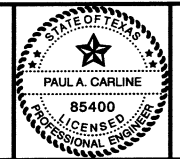
**PRECAST CONCRETE MANHOLE**

NOTE:  
ALL JOINTS IN PRECAST MANHOLE SHALL BE SEALED ON OUTSIDE OF MANHOLE WITH AQUAGARD SHRINK SEAL.

This record drawing is a compilation of the sealed engineering drawing for this project; modified by addenda, change orders and information furnished by the contractor. The information shown on the record drawings that was provided by the contractor or others not associated with the design engineer cannot be verified for accuracy or completeness. This original sealed drawings are on file at the offices of Birkhoff, Hendricks & Carter, L.L.P.  
BY PAC DATE 03/06/12

These plans and related specifications were prepared for construction of this specific project only. Reuse of these documents is not permitted without written authorization of Birkhoff, Hendricks, & Carter, L.L.P.

**BIRKHOFF, HENDRICKS & CARTER, L.L.P.**  
PROFESSIONAL ENGINEERS  
Texas Firm F526  
11910 Greenville Ave., Suite 600  
Dallas, Texas 75243 (214) 361-7900



*[Signature]*  
5/28/10

**CITY OF ROCKWALL, TEXAS**  
SQUABBLE CREEK LIFT STATION  
DETAILS

BHC  
PROJECT NO.  
2007-110  
MAY 2010  
SHEET NO.  
**13**