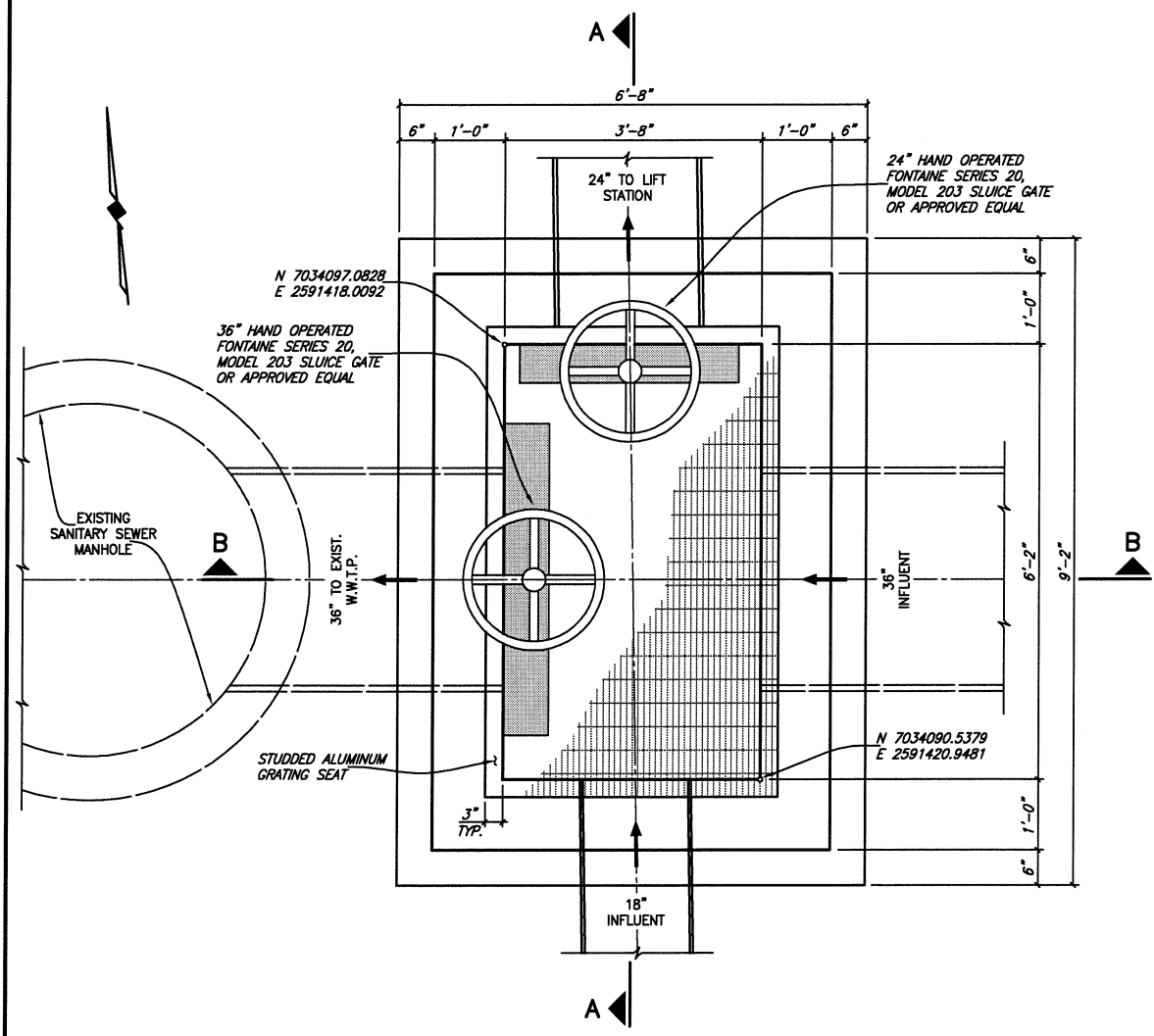
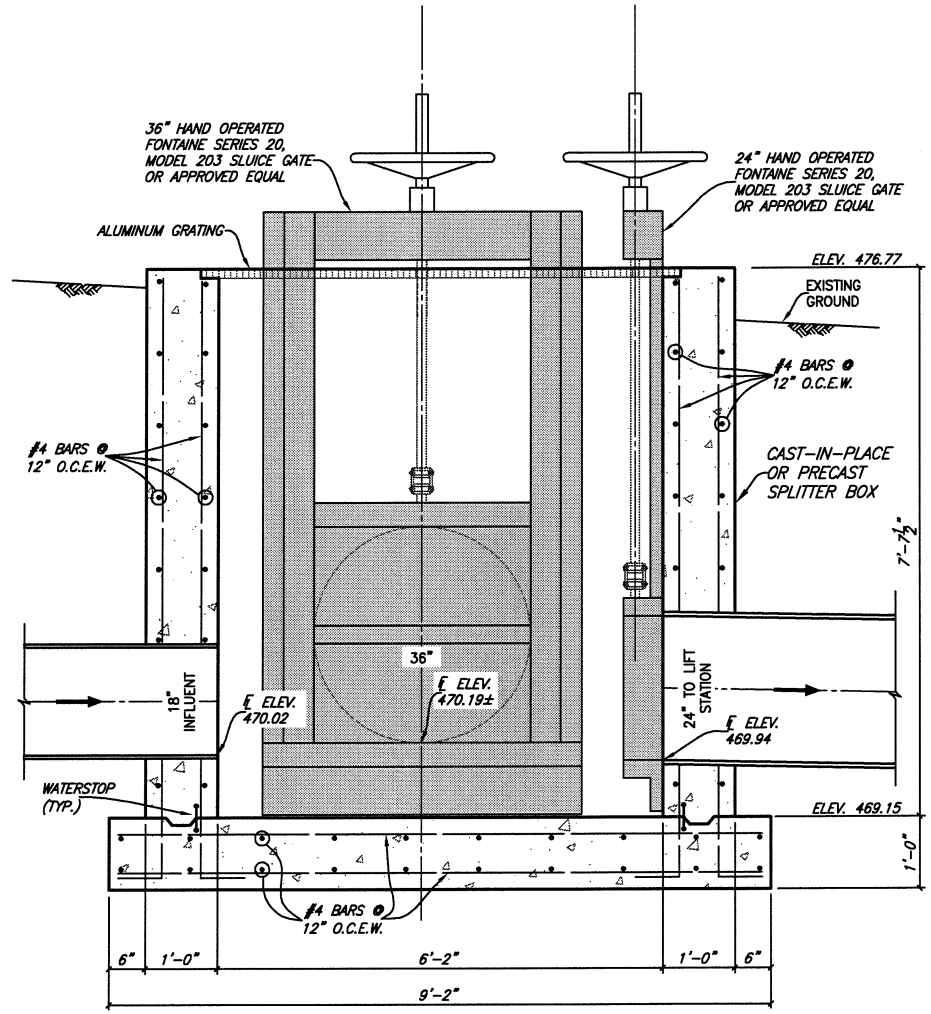


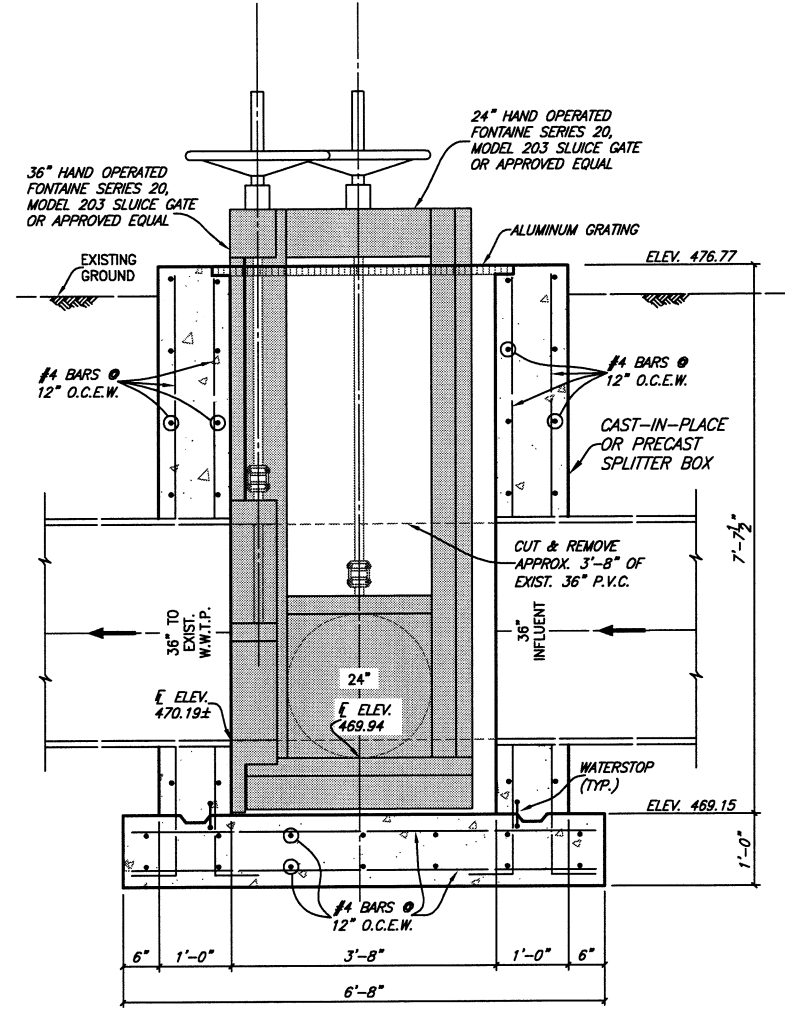
These plans and related specifications were prepared for construction of this specific project only. Reuse of these documents is not permitted without written authorization of Birkhoff, Hendricks, & Carter, L.L.P.



FLOW SPLITTER BOX NO. 3 PLAN
SCALE: 3/4"=1'-0"



SECTION A-A
SCALE: 3/4"=1'-0"

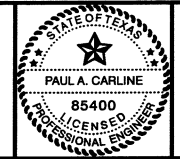


SECTION B-B
SCALE: 3/4"=1'-0"

This record drawing is a compilation of the sealed engineering drawing for this project; modified by addenda, change orders and information furnished by the contractor. The information shown on the record drawings that was provided by the contractor or others not associated with the design engineer cannot be verified for accuracy or completeness. This original sealed drawings are on file at the offices of Birkhoff, Hendricks & Carter, L.L.P.
BY PAC DATE 03/06/12

TBM 6514
SQ. CUT IN CENTER OF NORTH LAKESHORE DR. MEDIAN OPENING AT SQUABBLE WWTP ENTRANCE & SOUTH OF SUTTER DR.
N 7033789.3760
E 2592028.2244
ELEV. 483.52

BIRKHOFF, HENDRICKS & CARTER, L.L.P.
PROFESSIONAL ENGINEERS
Texas Firm F526
11910 Greenville Ave., Suite 600
Dallas, Texas 75243 (214) 361-7900



[Signature]
5/28/10

CITY OF ROCKWALL, TEXAS
SQUABBLE CREEK LIFT STATION
SPLITTER BOX NO. 3

BHC
PROJECT NO.
2007-110
MAY 2010
SHEET NO.
10