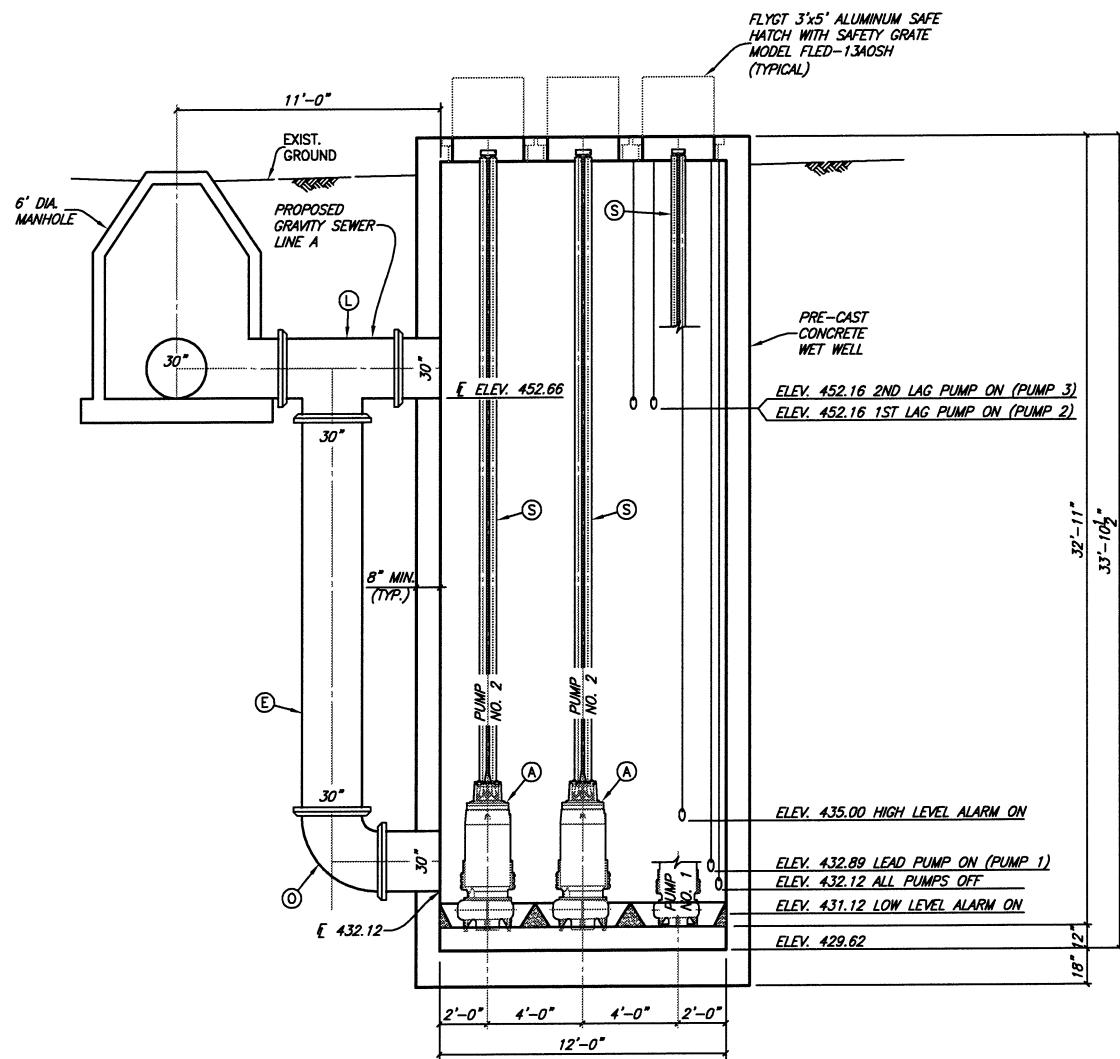
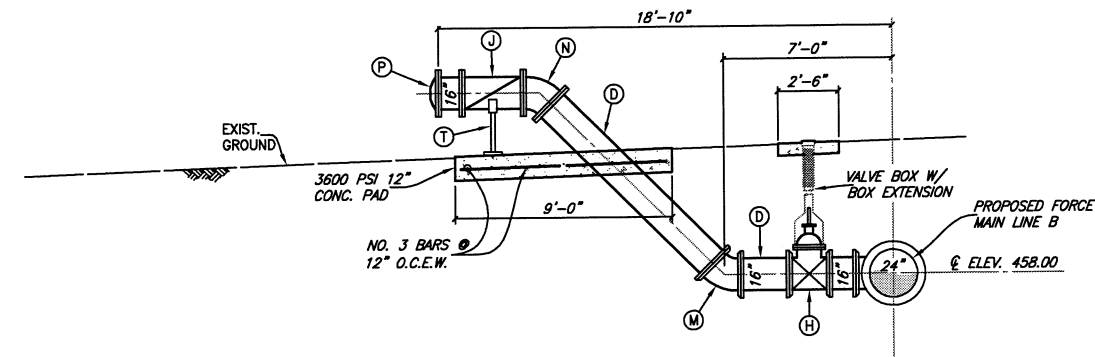


These plans and related specifications were prepared for construction of this specific project only. Reuse of these documents is not permitted without written authorization of Birkhoff, Hendricks, & Carter, L.L.P.



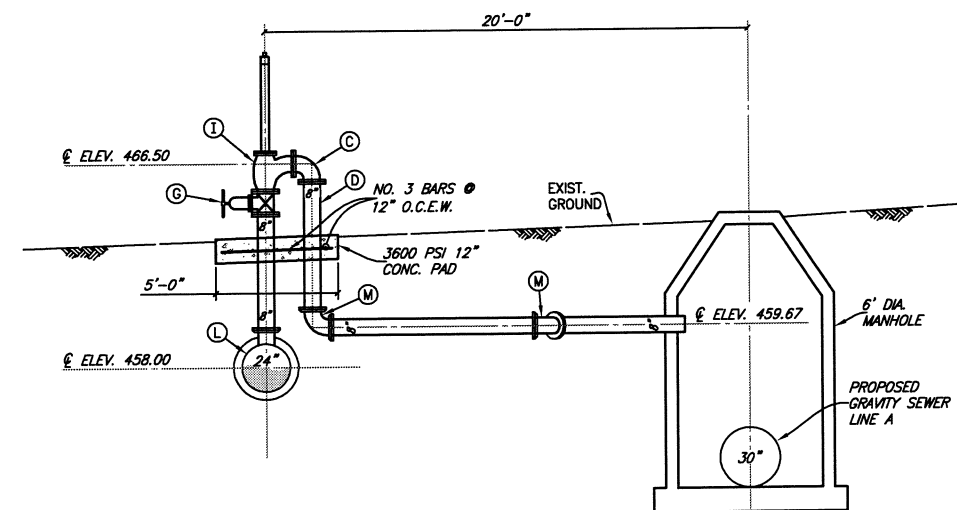
SECTION B-B

SCALE: 1/4" = 1'-0"



SECTION C-C

SCALE: 1/4" = 1'-0"



SECTION D-D

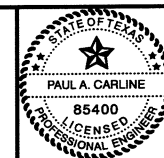
SCALE: 1/4" = 1'-0"

LEGEND

LETTER	PIPE	JOINT	DESCRIPTION
A	-	-	PUMP W/ MOTOR
B	D.I.P.	FLG.	LONG RADIUS 90° BEND
C	D.I.P.	FLG.	90° BEND
D	D.I.P.	FLG.-P.E.	PIPE SPOOL
E	D.I.P.	P.E.	PIPE
F	-	-	THRUST HARNESS ASSEMBLY
G	-	FLG.	GATE VALVE
H	-	M.J.	GATE VALVE
I	-	FLG.	SURGE VALVE
J	-	FLG.	CHECK VALVE
K	D.I.P.	M.J.	WYE
L	D.I.P.	M.J.	TEE
M	D.I.P.	M.J.	45° BEND
N	D.I.P.	FLG.	45° BEND
O	D.I.P.	M.J.	PLUG
P	D.I.P.	FLG.	BLIND FLANGE
Q	D.I.P.	FLG.	ECCENTRIC REDUCER
R	D.I.P.	FLG.	CONCENTRIC REDUCER
S	-	-	2-3" GUIDE BAR
T	-	-	STRUT-TYPE PIPE SUPPORT

This record drawing is a compilation of the sealed engineering drawing for this project; modified by addenda, change orders and information furnished by the contractor. The information shown on the record drawings that was provided by the contractor or others not associated with the design engineer cannot be verified for accuracy or completeness. This original sealed drawings are on file at the offices of Birkhoff, Hendricks & Carter, L.L.P.
 BY PAC DATE 03/06/12

BIRKHOFF, HENDRICKS & CARTER, L.L.P.
 PROFESSIONAL ENGINEERS
 Texas Firm F526
 11910 Greenville Ave., Suite 600
 Dallas, Texas 75243 (214) 361-7900



[Signature]
 5/28/10

CITY OF ROCKWALL, TEXAS
 SQUABBLE CREEK LIFT STATION
 LIFT STATION PIPING SECTIONS

BHC
 PROJECT NO.
 2007-110
 MAY 2010

SHEET NO.
7