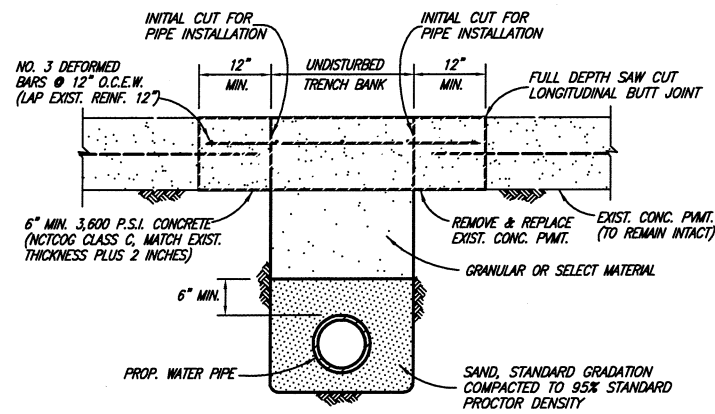
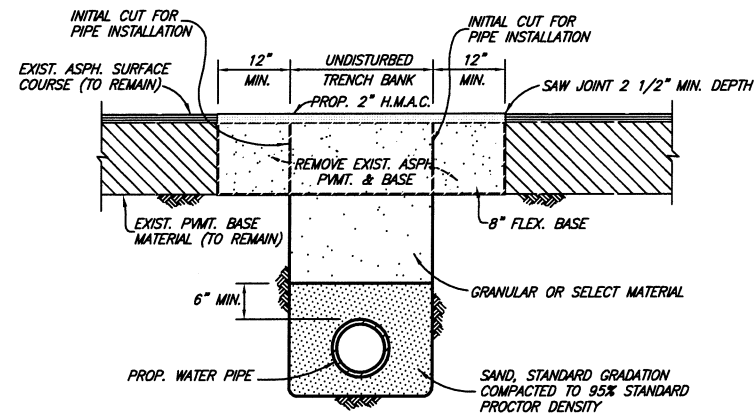


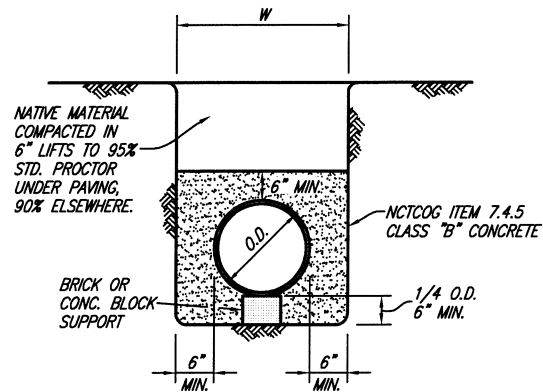
These plans and related specifications were prepared for construction of this specific project only. Reuse of these documents is not permitted without written authorization of Birkhoff, Hendricks, & Conroy, L.L.P.



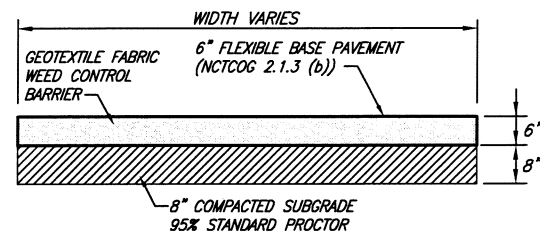
CONCRETE STREET OR DRIVEWAY REPAIR



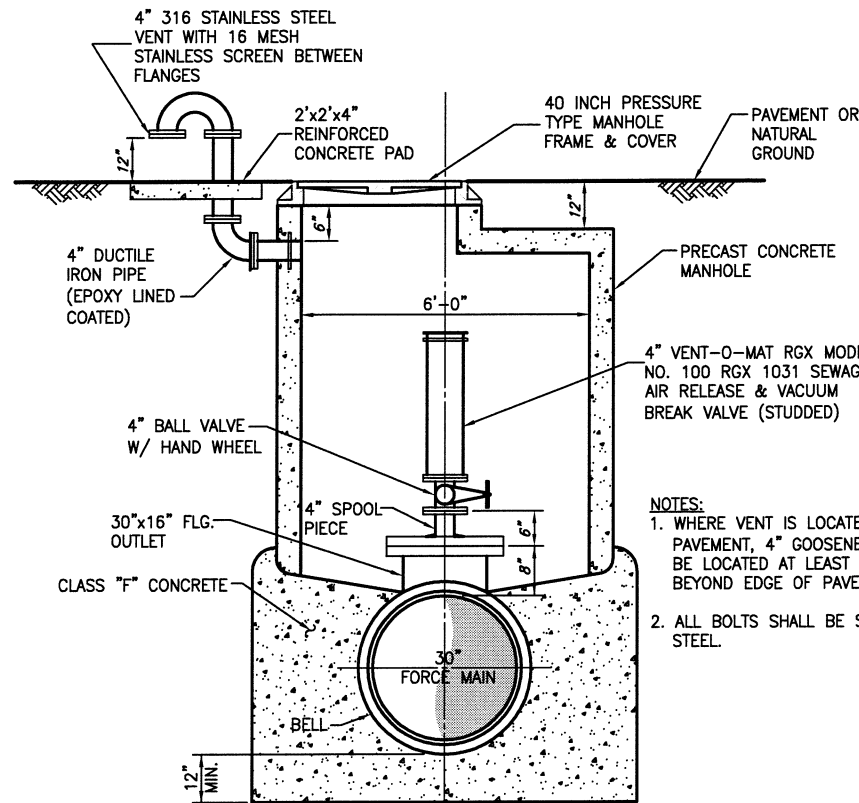
ASPHALT STREET OR DRIVEWAY REPAIR



CLASS G EMBEDMENT
CONCRETE ENCASEMENT

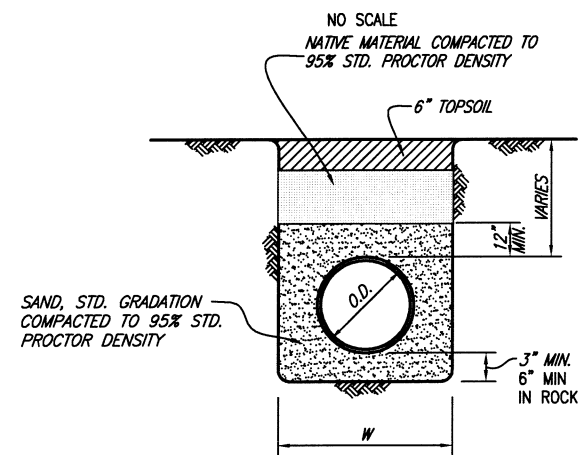


GRAVEL DRIVE REPAIR

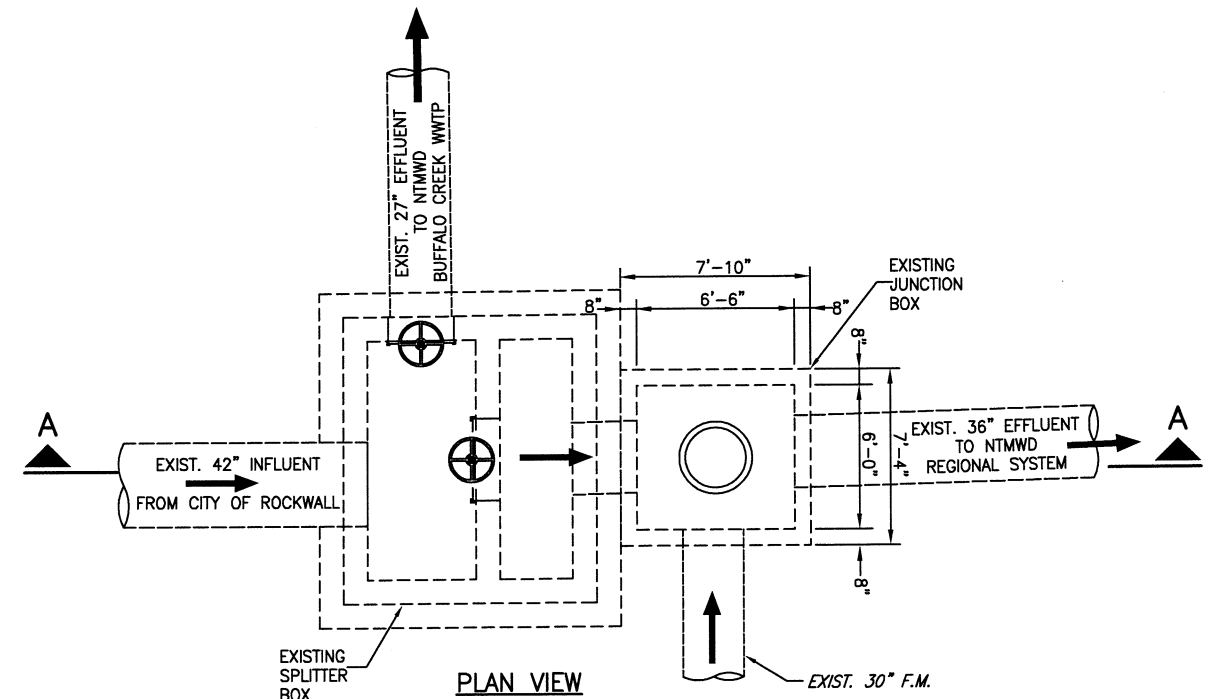


COMBINATION AIR & VACUUM RELEASE VALVE

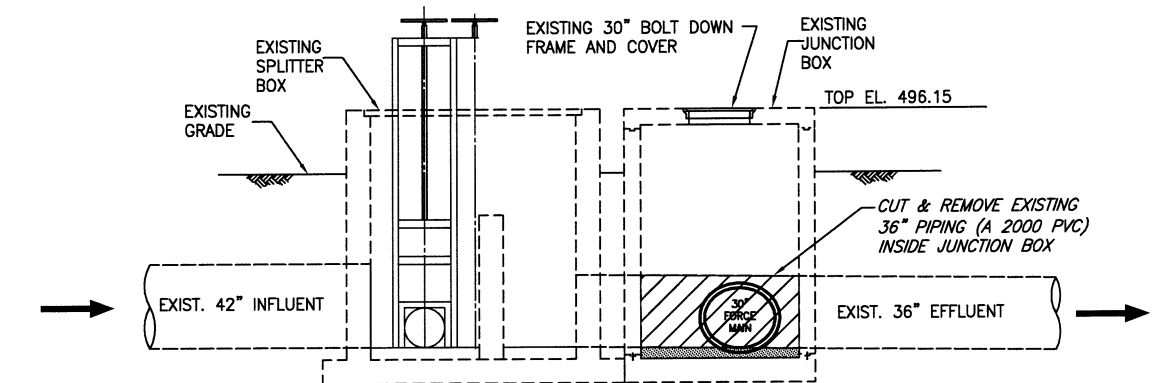
NOT TO SCALE



CLASS B-4 EMBEDMENT



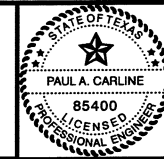
PLAN VIEW



SECTION A-A
EXISTING JUNCTION BOX
NOT TO SCALE

This record drawing is a compilation of the sealed engineering drawing for this project; modified by addenda, change orders and information furnished by the contractor. The information shown on the record drawings that was provided by the contractor or others not associated with the design engineer cannot be verified for accuracy or completeness. This original sealed drawings are on file at the offices of Birkhoff, Hendricks & Carter, L.L.P.
BY PAC DATE 03/05/12

BIRKHOFF, HENDRICKS & CARTER, L.L.P.
PROFESSIONAL ENGINEERS
Texas Firm 526
11910 Greenville Ave., Suite 600
Dallas, Texas (214) 361-7900



Handwritten signature and number 111710

CITY ROCKWALL, TEXAS

DETAILS

BHC
PROJECT NO.
2007-110

November 2010

SHEET NO.

22