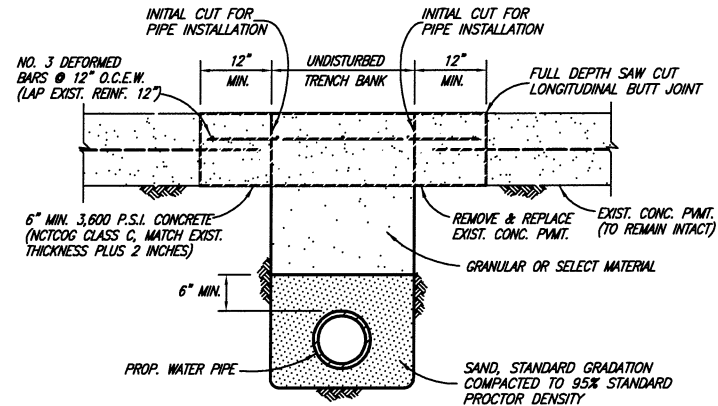
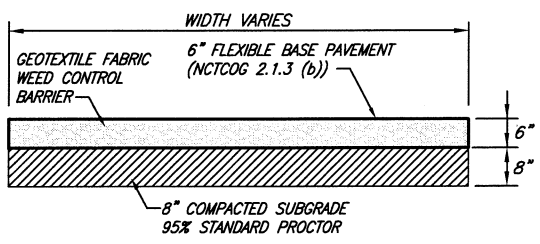


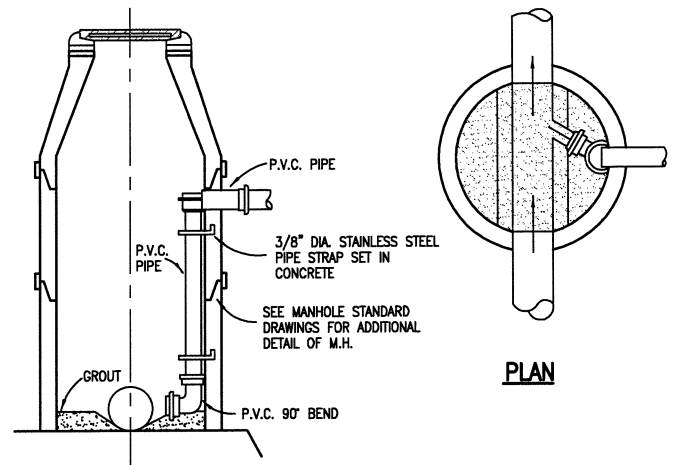
These plans and related specifications were prepared for construction of this specific project only. Reuse of these documents is not permitted without written authorization of Birkhoff, Hendricks, & Conway, L.L.P.



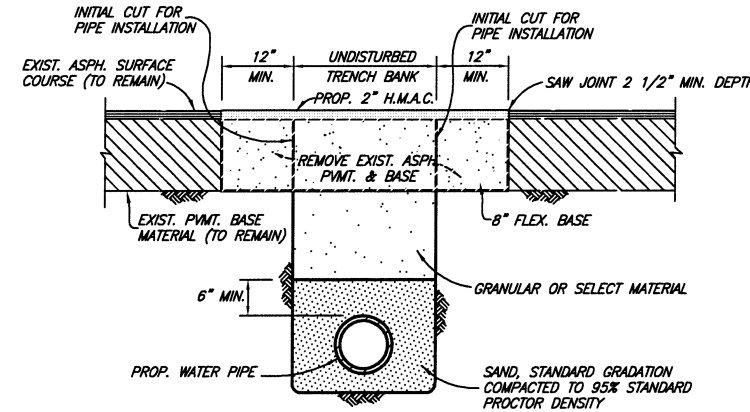
CONCRETE STREET OR DRIVEWAY REPAIR



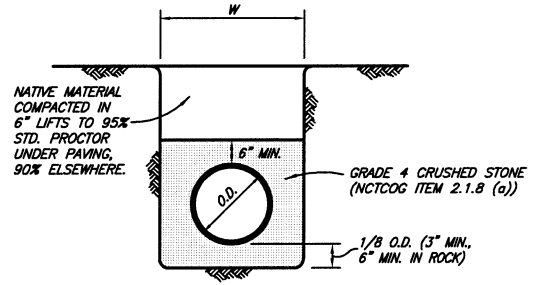
GRAVEL DRIVE REPAIR



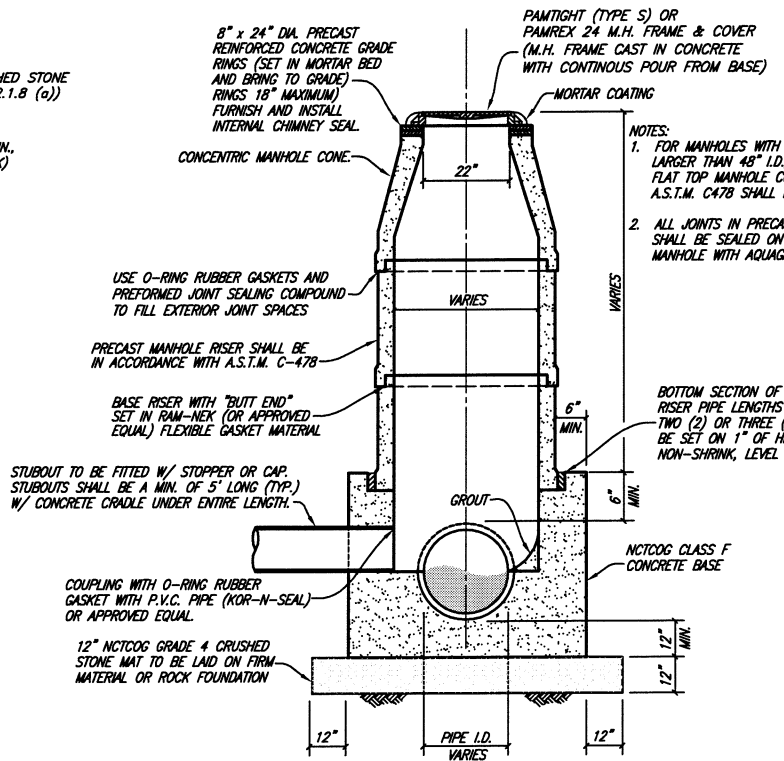
DROP MANHOLE (INSIDE DROP)
N.C.T.C.O.G. ITEM 6.7.2.(1)



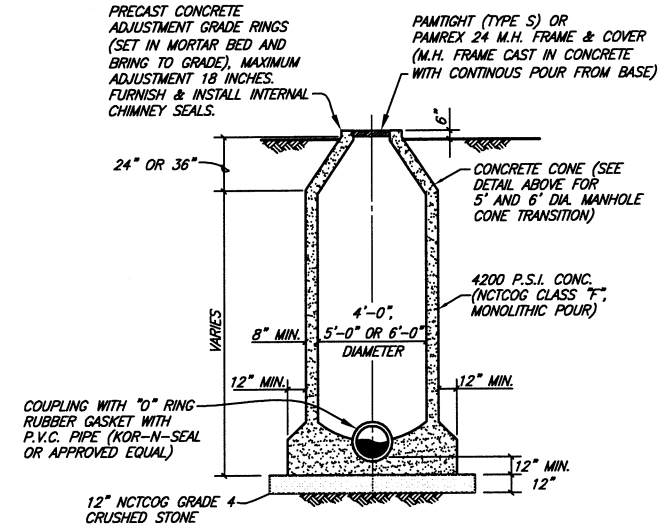
ASPHALT STREET OR DRIVEWAY REPAIR



CLASS H EMBEDMENT

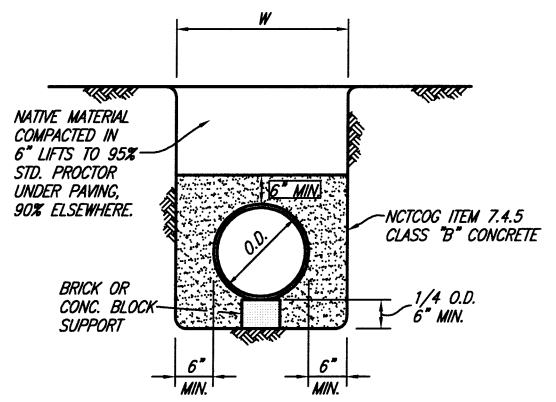


PRECAST CONCRETE MANHOLE
NO SCALE

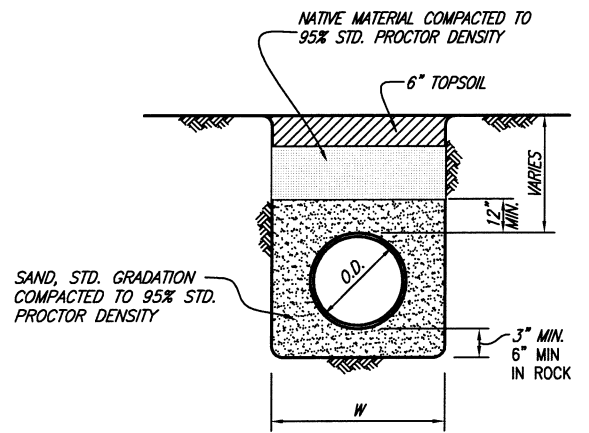


STANDARD MANHOLE ELEVATION
4', 5' & 6' DIAMETER MANHOLES
SANITARY SEWER MANHOLE (CAST IN PLACE)

This record drawing is a compilation of the sealed engineering drawing for this project; modified by addenda, change orders and information furnished by the contractor. The information shown on the record drawings that was provided by the contractor or others not associated with the design engineer cannot be verified for accuracy or completeness. This original sealed drawings are on file at the offices of Birkhoff, Hendricks & Conway, L.L.P.
BY PAC DATE 03/05/12

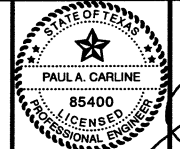


CLASS G EMBEDMENT
CONCRETE ENCASEMENT



CLASS B-4 EMBEDMENT

BIRKHOFF, HENDRICKS & CONWAY, L.L.P.
PROFESSIONAL ENGINEERS
Texas Firm 526
11910 Greenville Ave., Suite 600
Dallas, Texas (214) 361-7900



Paul A. Carlisle
11/17/09

CITY ROCKWALL, TEXAS
S.C. FORCE MAIN & BUFFALO CREEK SANITARY SEWER
NOTES AND DETAILS

BHC
PROJECT NO.
2007-110
November 2009
SHEET NO.
7