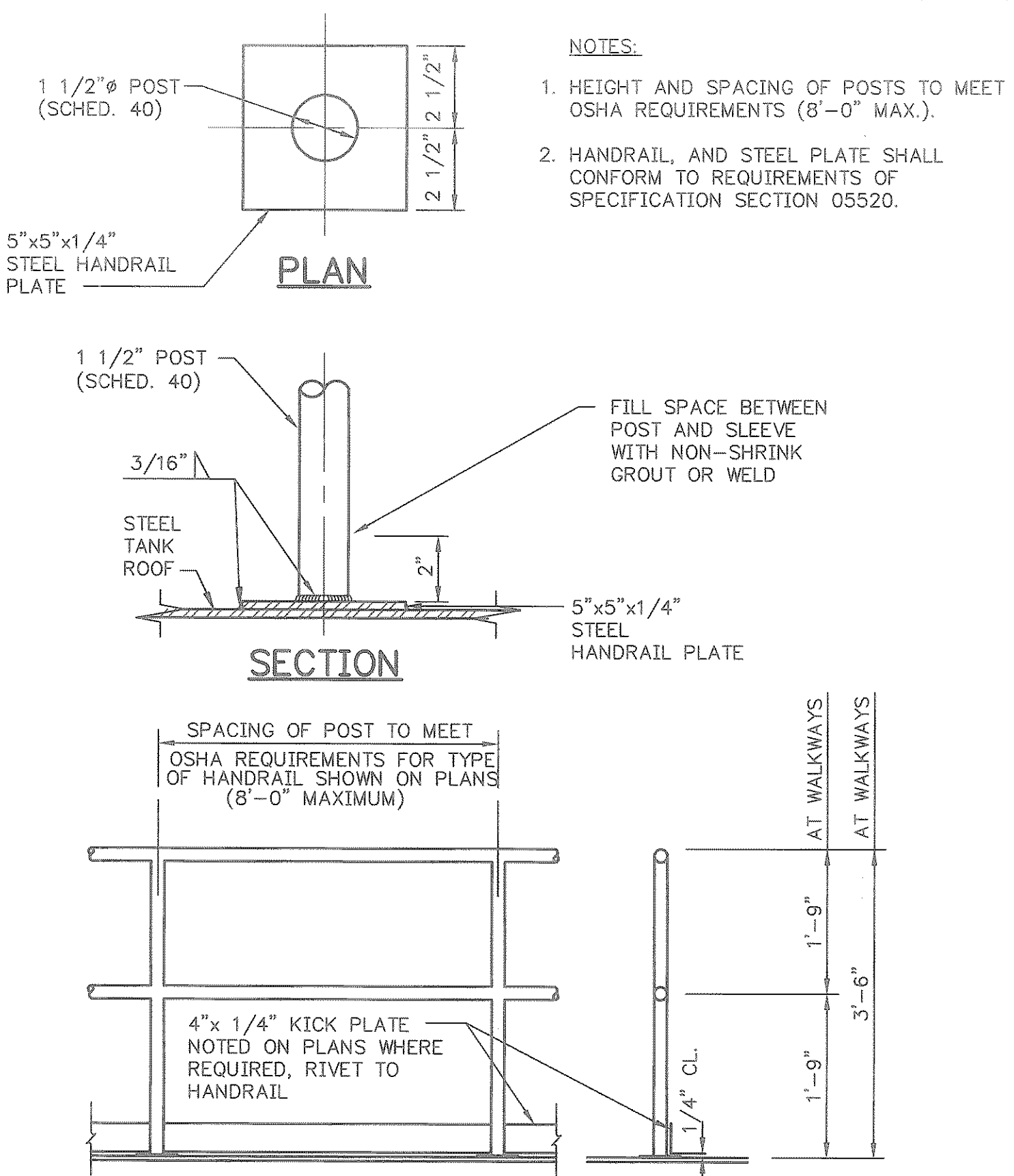
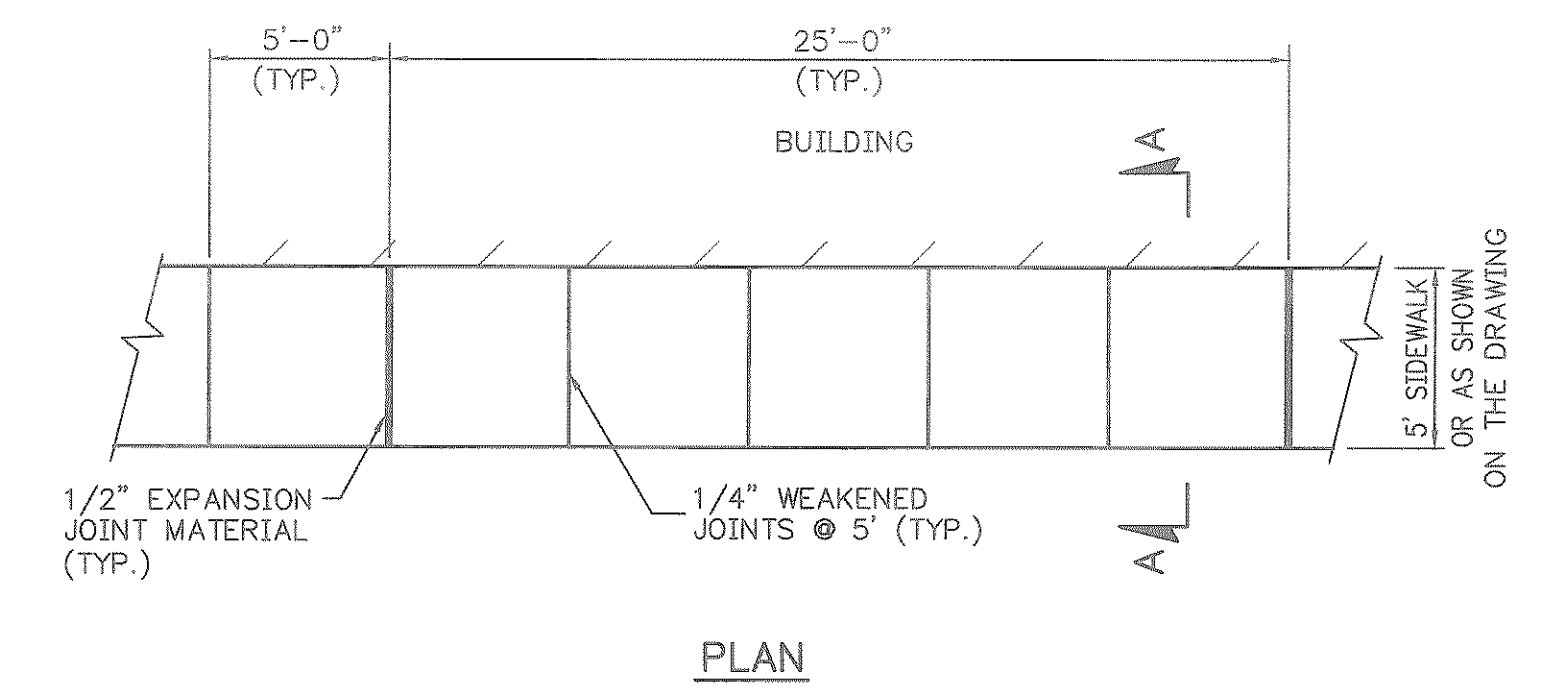


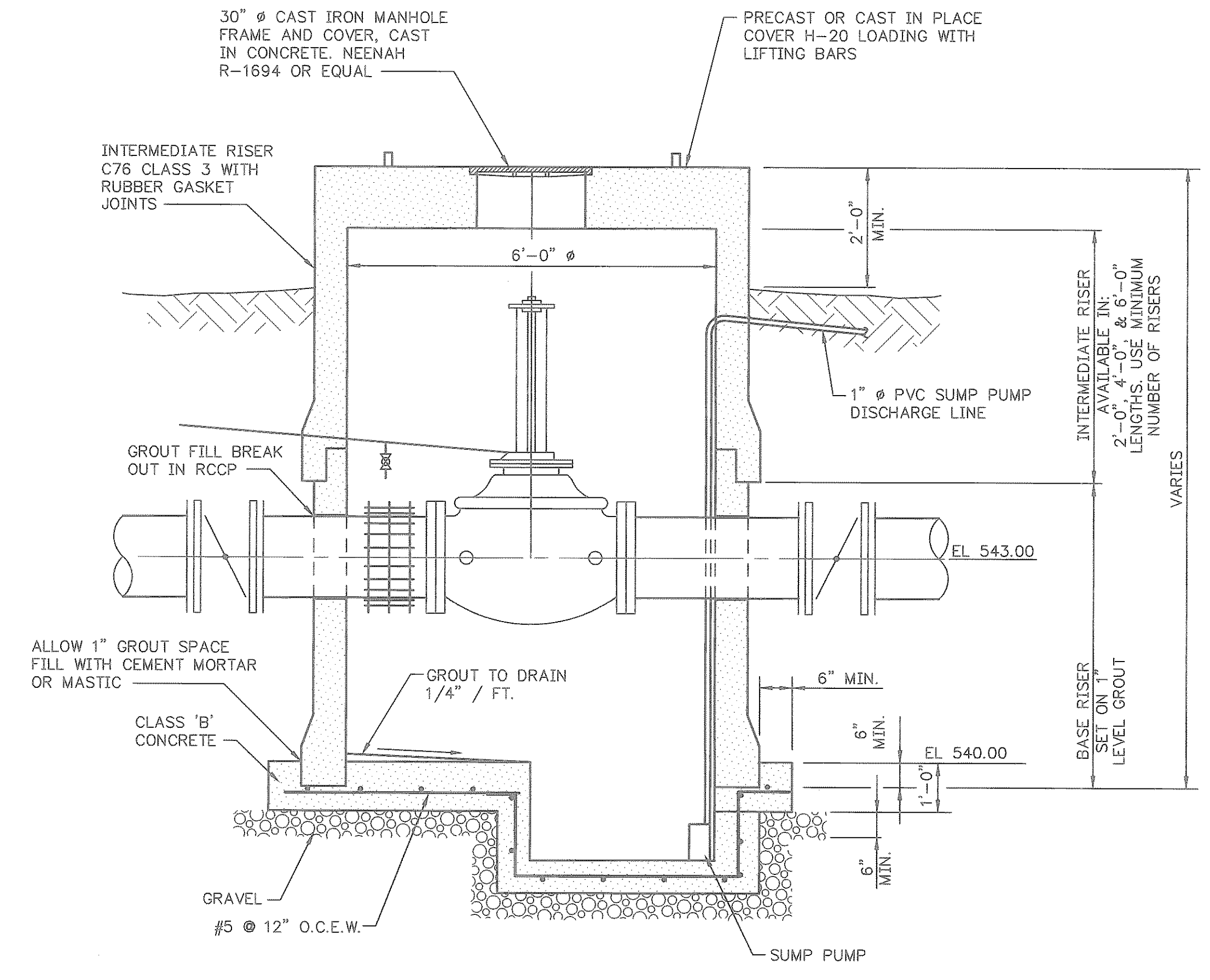
A BURIED VALVE AND VALVE BOX
SCALE: N.T.S.



B HANDRAIL DETAIL
SCALE: N.T.S.

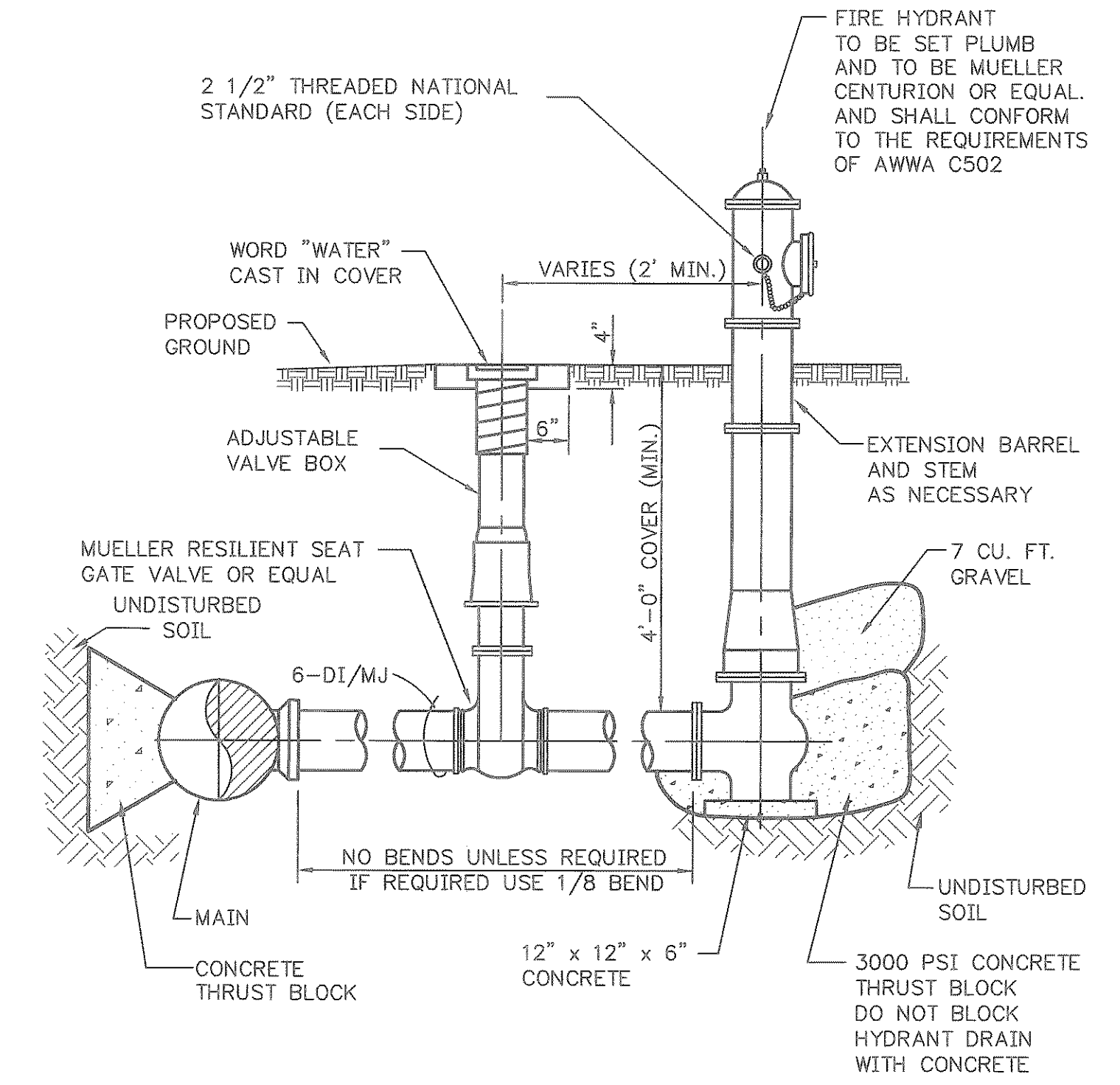


C TYPICAL SIDEWALK DETAIL
SCALE: N.T.S.



D STANDARD PRECAST MANHOLE
SCALE: N.T.S.

- NOTES**
- SEE SPECIFICATIONS FOR INFORMATION ON FLOW METER.
 - PROVIDE CONCRETE CRADLE FOR PIPE, ON EITHER SIDE OF THE MANHOLE.
 - SUMP PUMP SHALL BE 1/2" HP, 50 GPM @ 25 FT TDH, 120 V, 1Ø, AUTOMATIC OPERATION WITH FLOAT SWITCHES. FLOAT SWITCHES SHALL BE PLACED AT 6" AND 12" OFF THE FLOOR OF MANHOLE. SUMP PUMP & SWITCHES SHALL PLUG INTO A RECEPTACLE.
- NOTES FOR CAST IN PLACE MANHOLES**
- MINIMUM REINFORCEMENT REQUIRED SHALL BE EQUIVALENT TO STEEL USED IN R.C.P. C-76 CLASS III.
 - CONCRETE TO BE USED IN CONTINUOUS POUR, MECHANICALLY VIBRATED EVERY 18" DEPTH (MAX.) AND ALLOWED TO CURE FOR A MINIMUM OF 3 DAYS. THERE SHALL BE NO EVIDENCE OF HONEYCOMB INSIDE OR OUTSIDE.



E FIRE HYDRANT
SCALE: N.T.S.

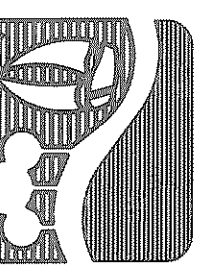
THESE DOCUMENTS HAVE BEEN PREPARED BASED ON INFORMATION PROVIDED BY OTHERS. THE ACCURACY AND/OR COMPLETENESS OF THIS INFORMATION WAS VERIFIED BY THE CONTRACTOR.

No.	Date	Revisions	App.

Chiang, Patel and Associates, Inc.
Consulting Engineers • Planners • Project Managers
Dallas, Texas

RECORD DRAWING
PHILIP S. YERBY, P.E. #51735
CHIANG, PATEL & YERBY, INC.

CITY OF ROCKWALL
"THE NEW HORIZON"



STANDARD DETAILS II
CITY OF ROCKWALL
SOUTHSIDE ELEVATED
STORAGE TANK

Scale: AS NOTED	Date: FEB. 1994
Designed by: R. O'CONNELL	
Drawn by: R. TUNNELL	
Checked by: F. RASOR	
Approved by: F. RASOR	
Project No.:	CRO 9357.20