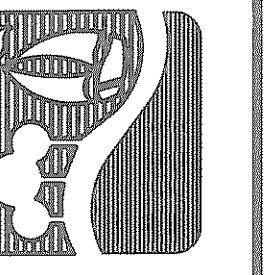


No.	Date	Revisions	App.

**Chiang, Patel and Associates, Inc.**  
 Consulting Engineers • Planners • Project Managers  
 Dallas, Texas

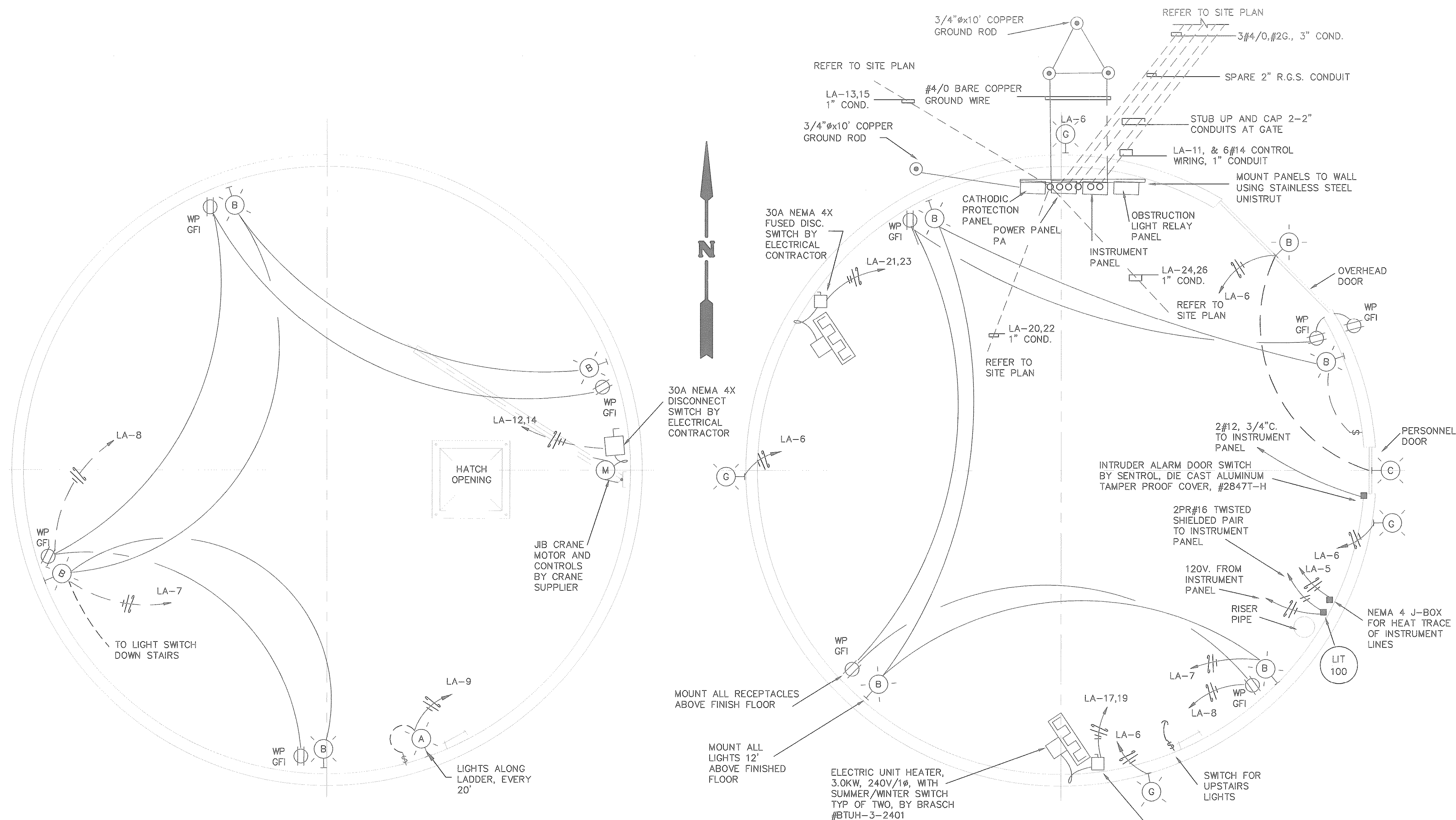
**RECORD DRAWING**  
 P.K. PATEL, P.E. #44712  
 CHIANG, PATEL & YERBY, INC.

**CITY OF ROCKWALL**  
 "THE NEW HORIZON"  


**CITY OF ROCKWALL**  
 SOUTHSIDE ELEVATED  
 STORAGE TANK  
**ELECTRICAL PLAN**  
**AND DETAILS**

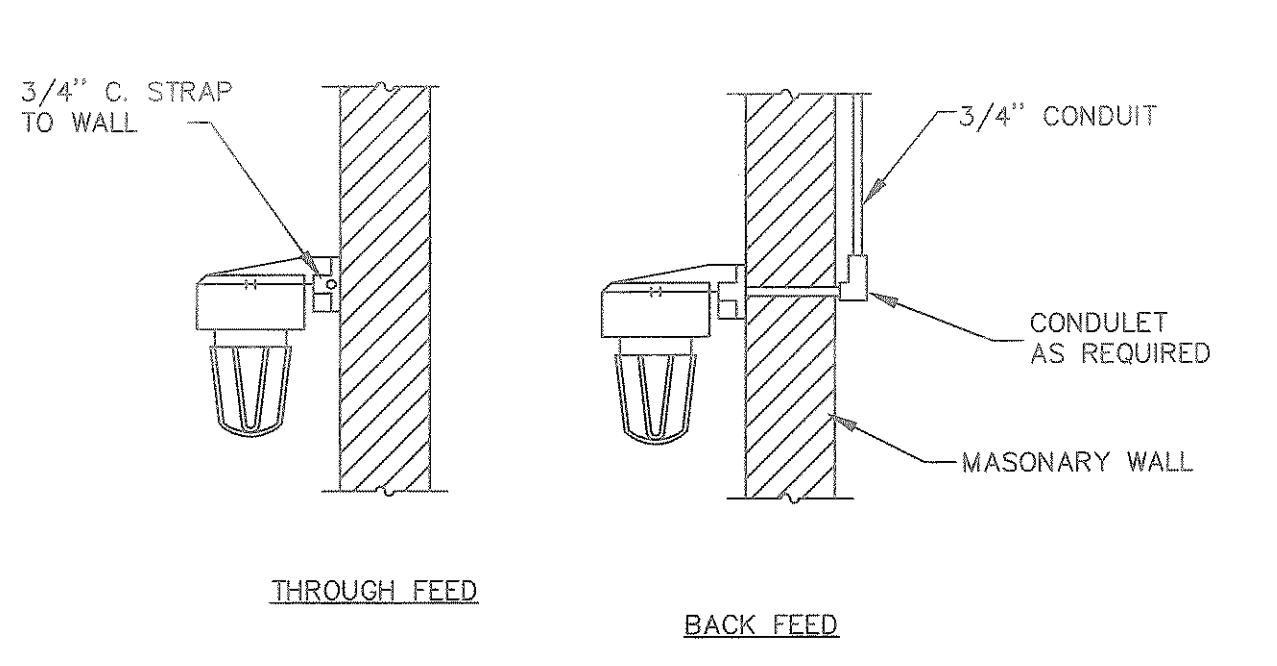
Scale: AS SHOWN Date: FEB. 1994  
 Designed by: P.N. MOSELEY  
 Drawn by: T.G. GRANT  
 Checked by: P.N. MOSELEY  
 Approved by: P.K. PATEL  
 Project No. CR0 9357.20

SHEET  
**13**  
 OF 14

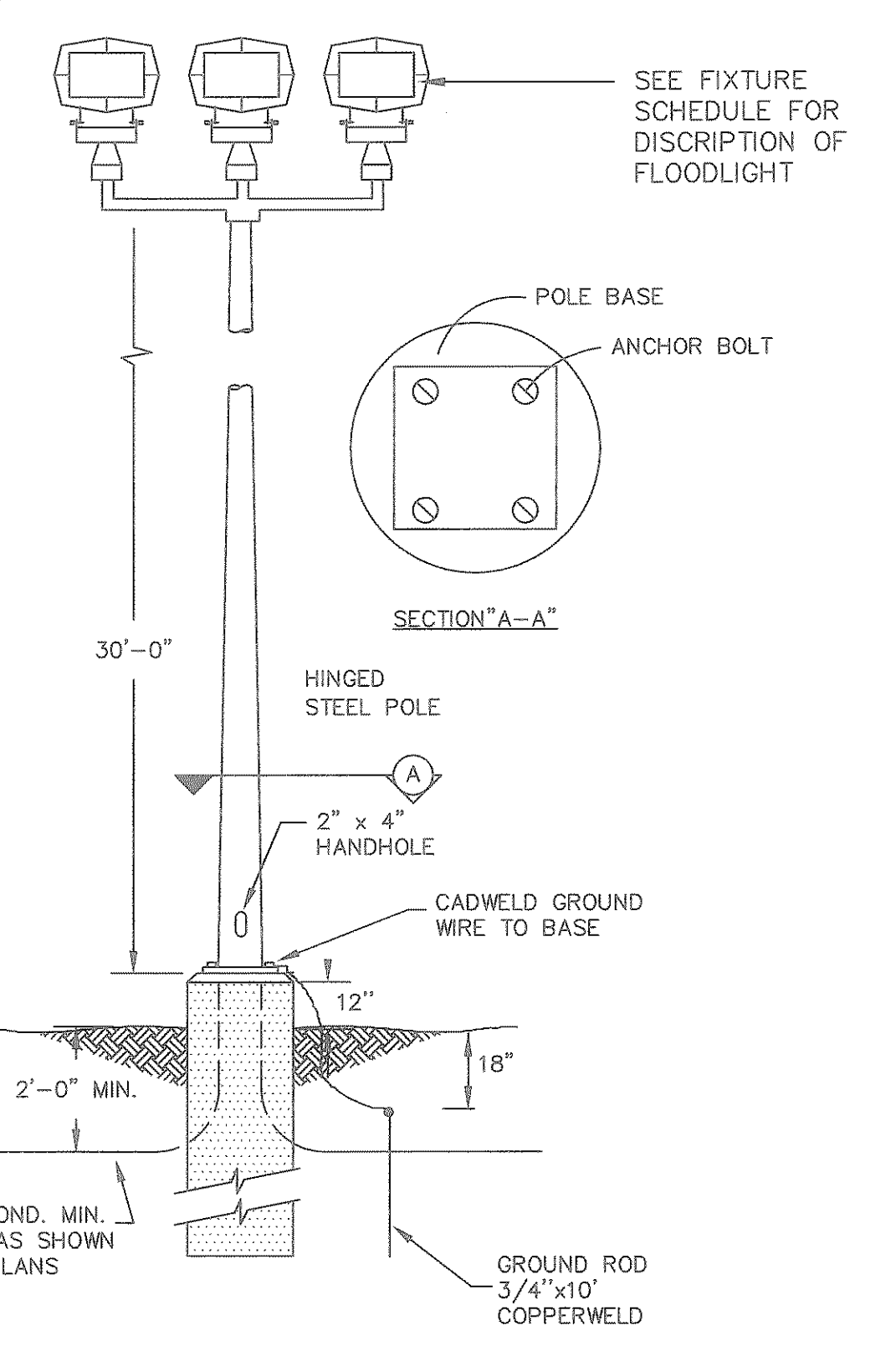


**UPPER LEVEL PLAN**  
 SCALE: 3/16" = 1'-0"

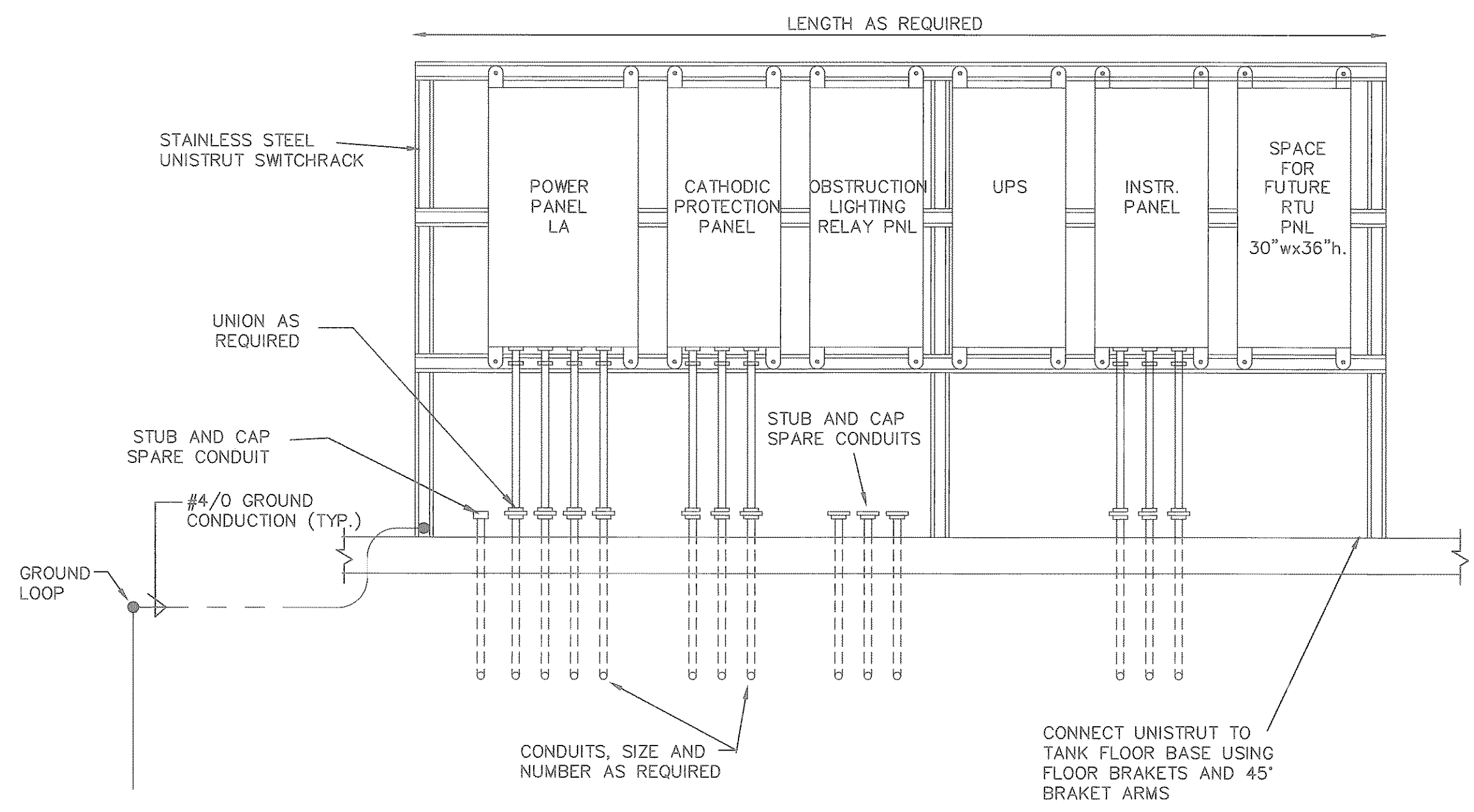
**LOWER LEVEL PLAN**  
 SCALE: 3/16" = 1'-0"



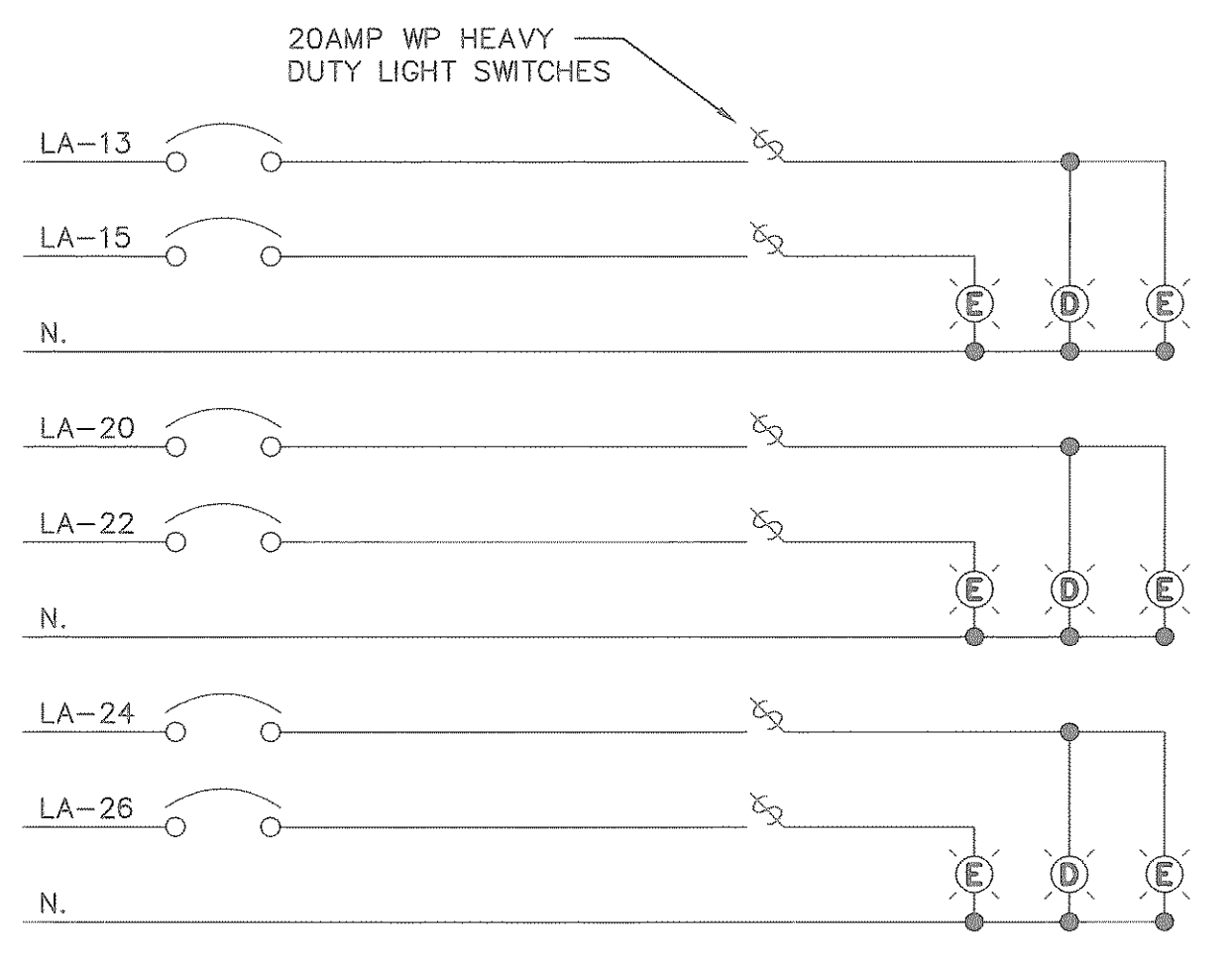
**2 FIXTURE MOUNTING DETAIL**  
 SCALE: N.T.S.



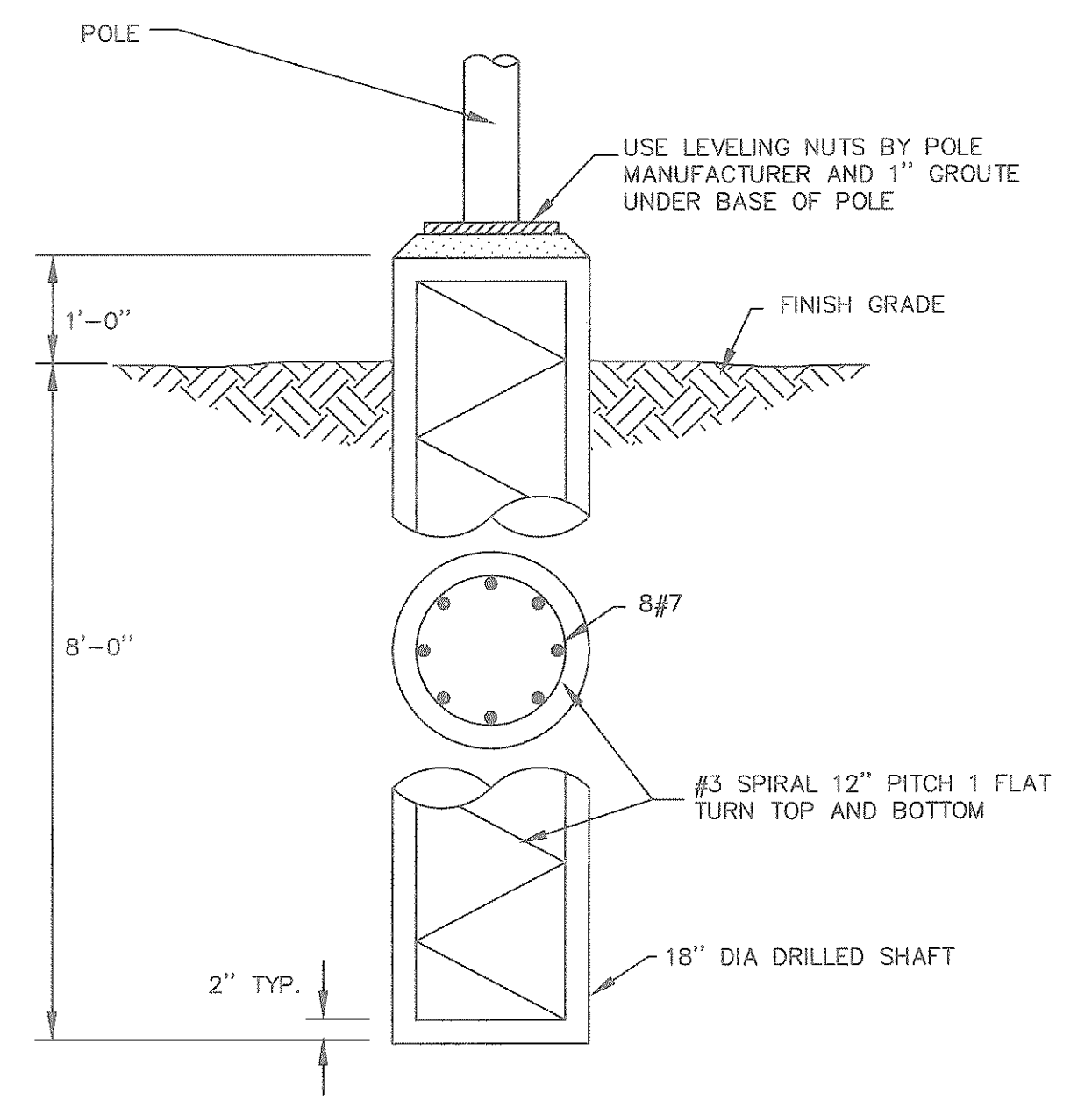
**3 LIGHT POLE DETAIL**  
 SCALE: N.T.S.



**1 SWITCHRACK DETAIL**  
 SCALE: N.T.S.



**5 POLE SWITCH DETAIL**  
 SCALE: N.T.S.



**4 FOUNDATION DETAIL**  
 SCALE: N.T.S.

THESE DOCUMENTS HAVE BEEN PREPARED BASED ON INFORMATION PROVIDED BY OTHERS. THE ACCURACY AND/OR COMPLETENESS OF THIS INFORMATION WAS VERIFIED BY THE CONTRACTOR.

I:\PC09357\7-96\9357E13 Man Aug 05 09:51:00 1996

JMB/DC 9/27/93.DWG