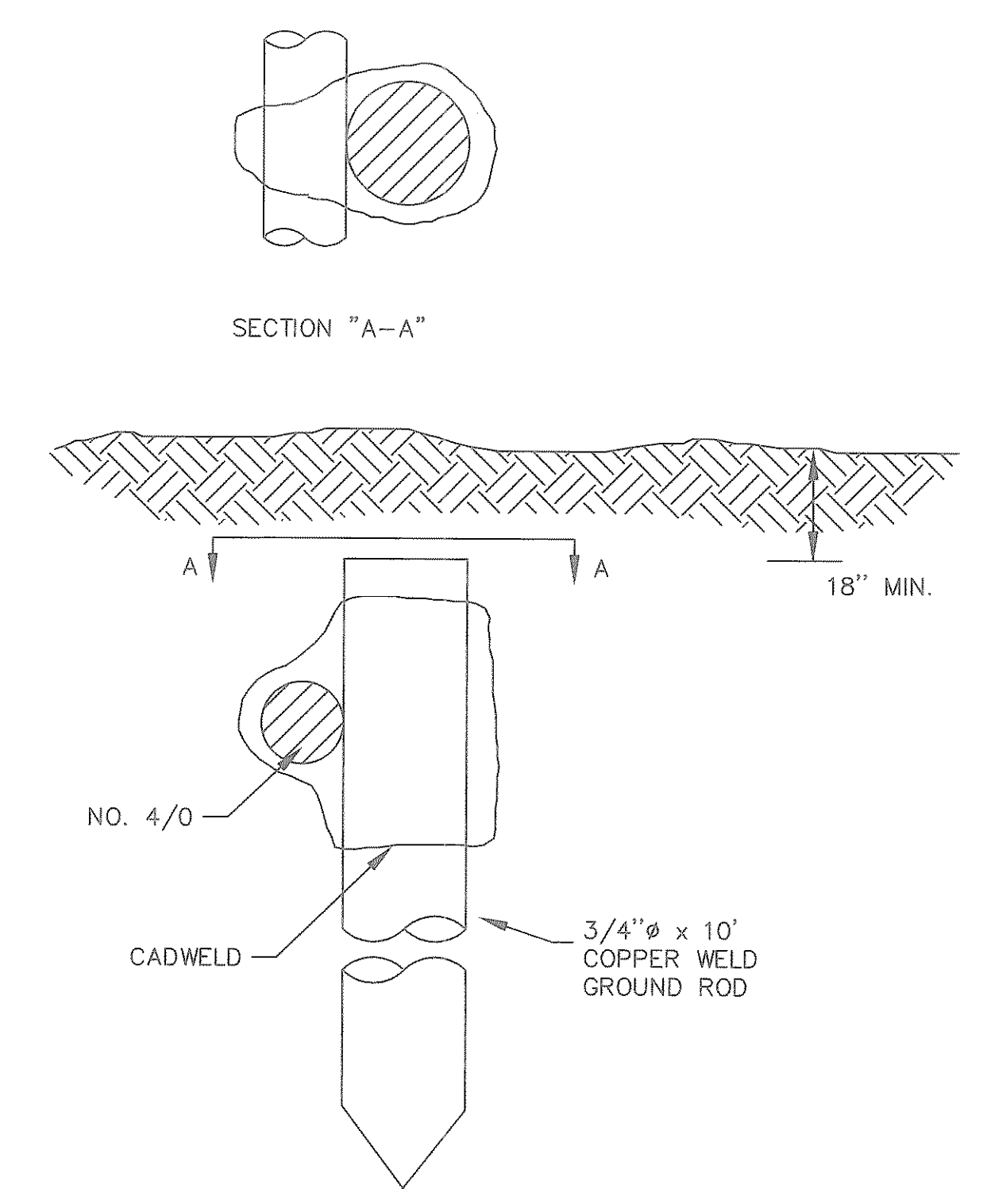
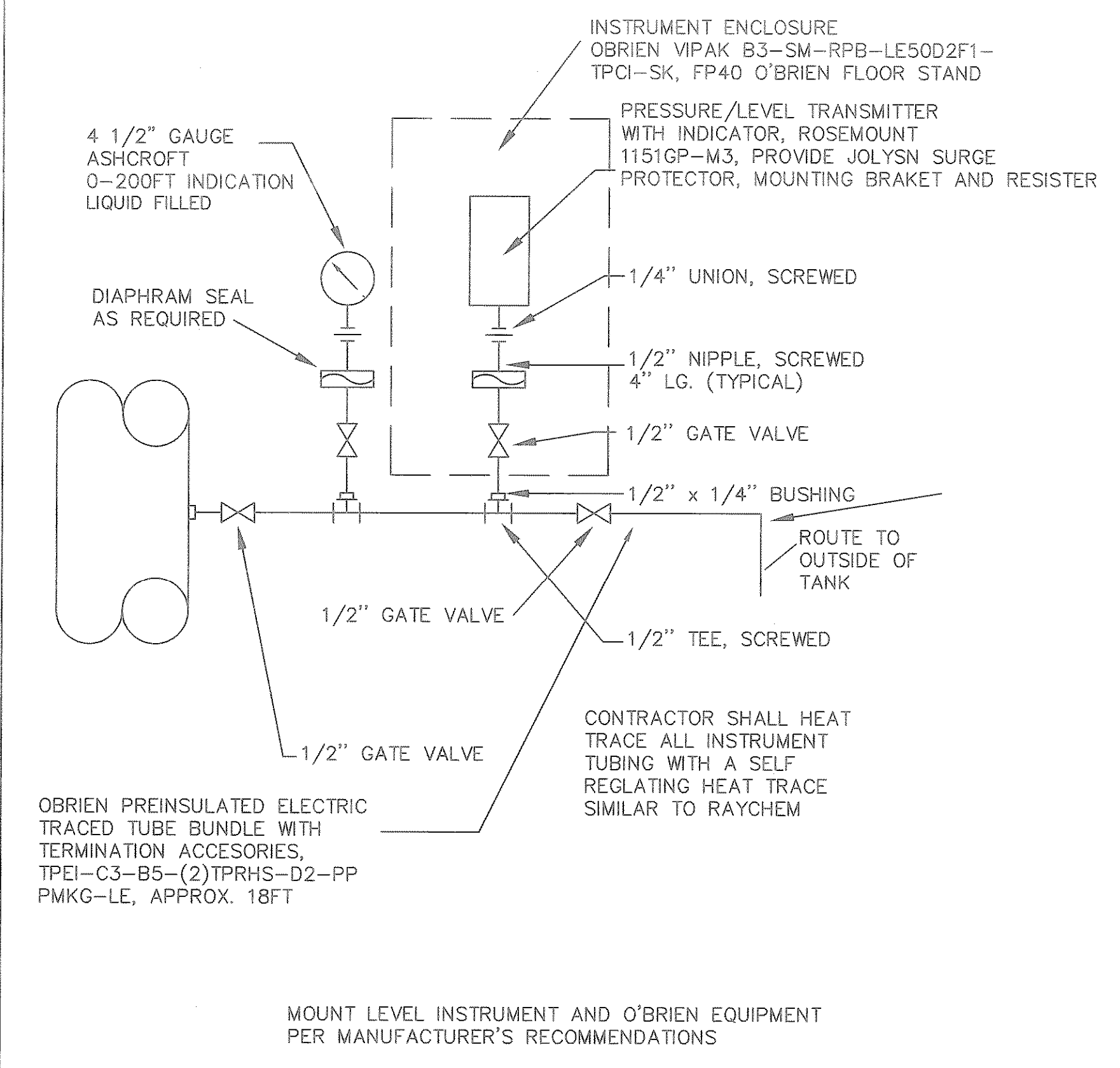


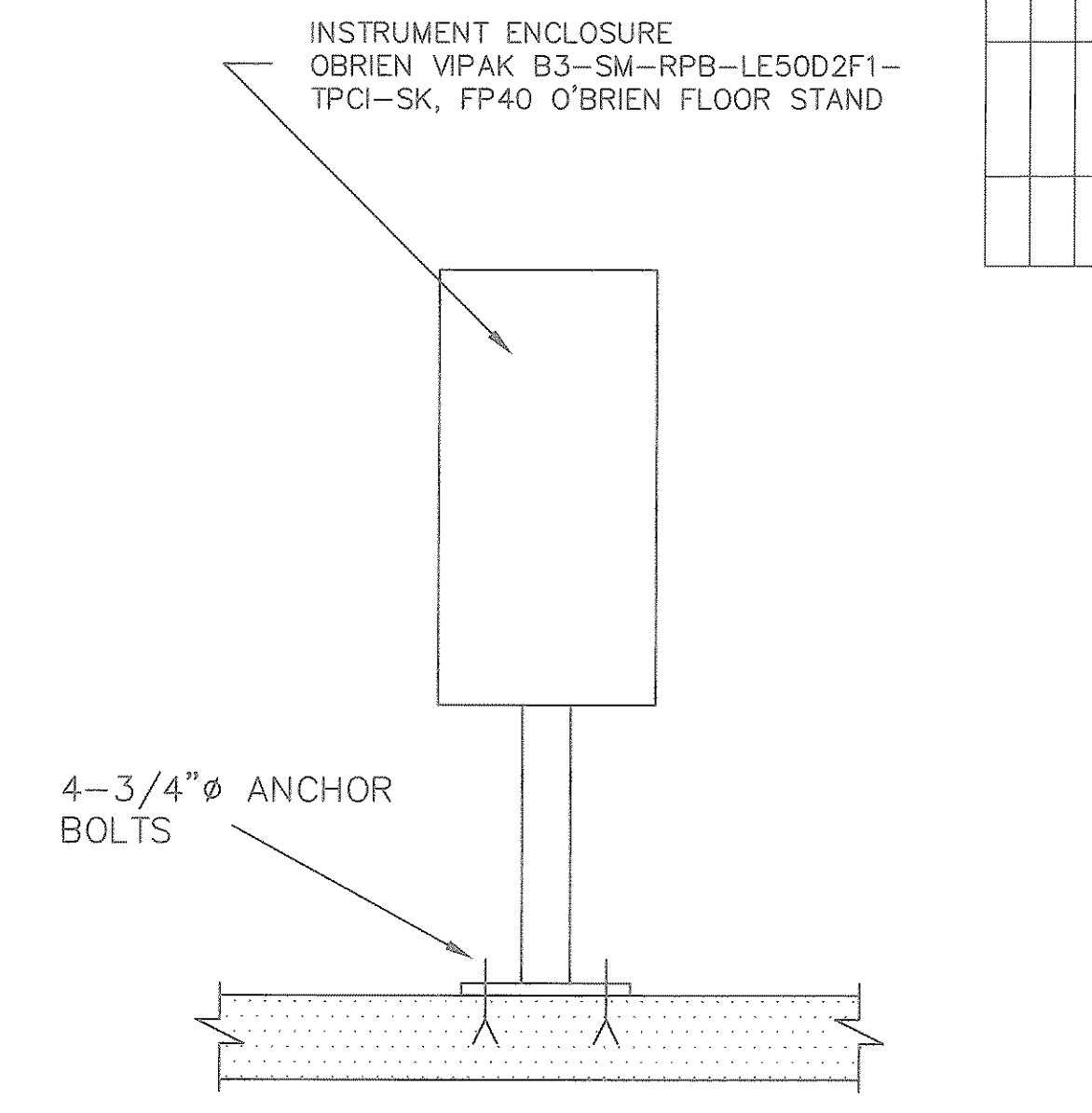
1 ANODE CONNECTION
SCALE: N.T.S.



2 GROUND ROD DETAIL
SCALE: N.T.S.

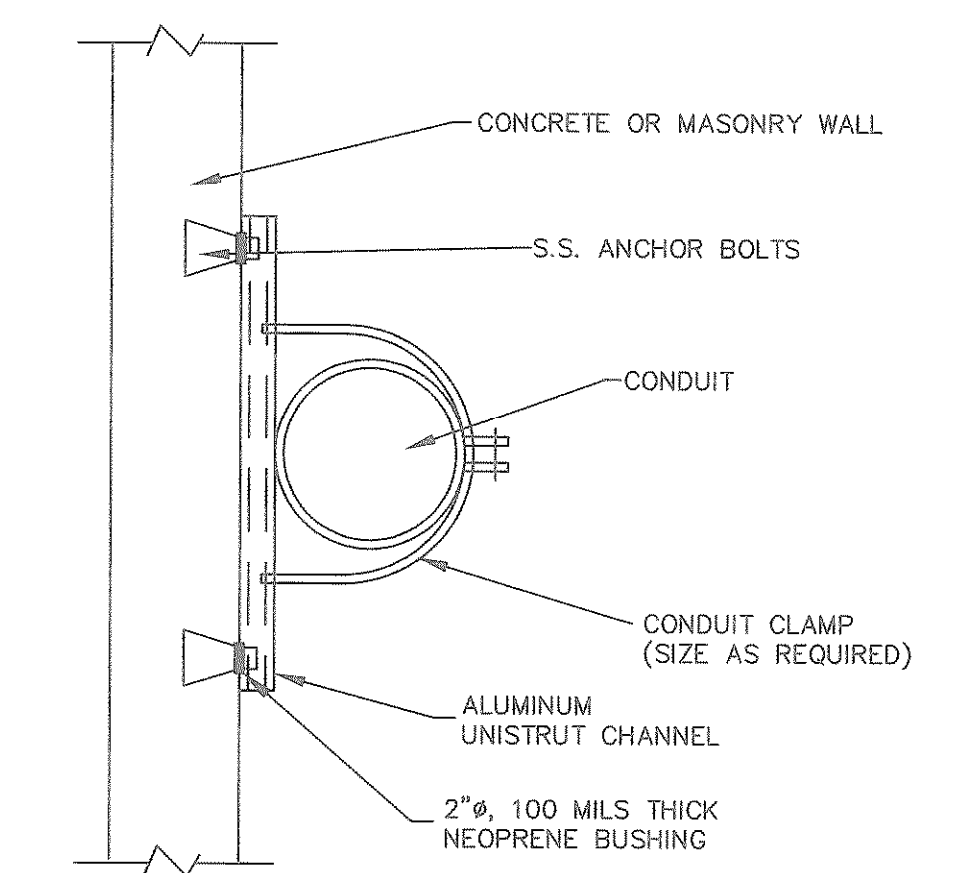


3 LEVEL TRANSMITTER DETAIL
SCALE: N.T.S.

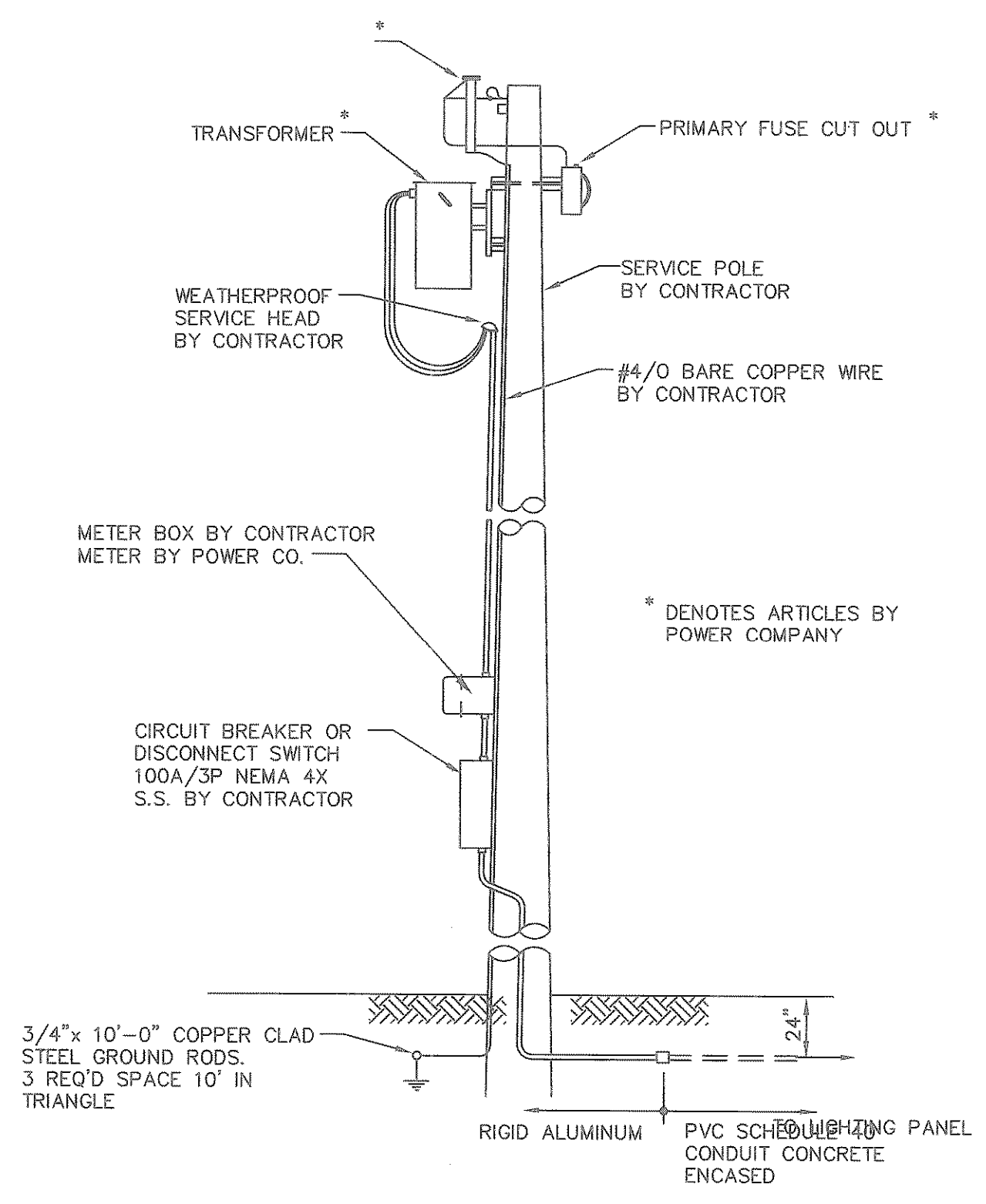


4 FLOOR STAND DETAIL
SCALE: N.T.S.

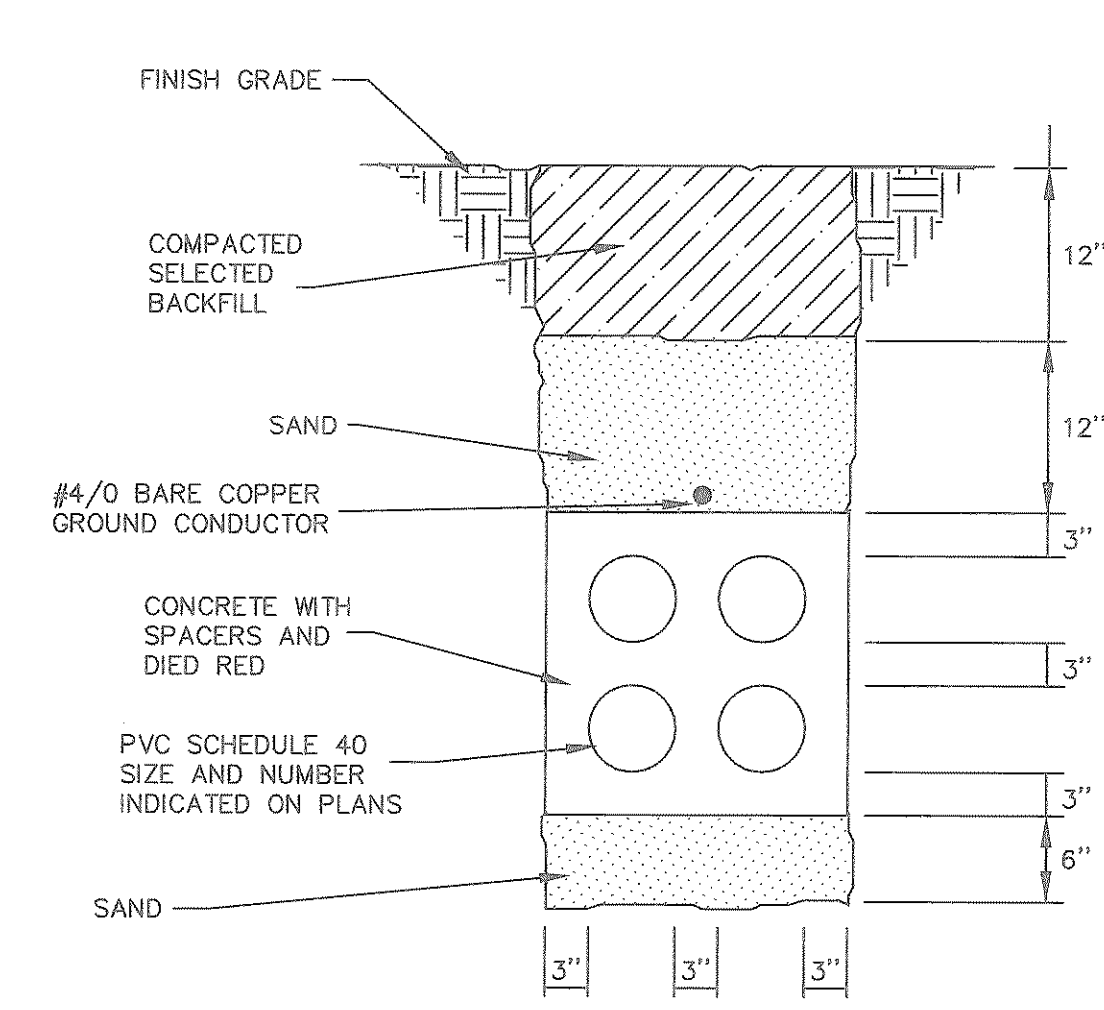
THESE DOCUMENTS HAVE BEEN PREPARED BASED ON INFORMATION PROVIDED BY OTHERS. THE ACCURACY AND/OR COMPLETENESS OF THIS INFORMATION WAS VERIFIED BY THE CONTRACTOR.



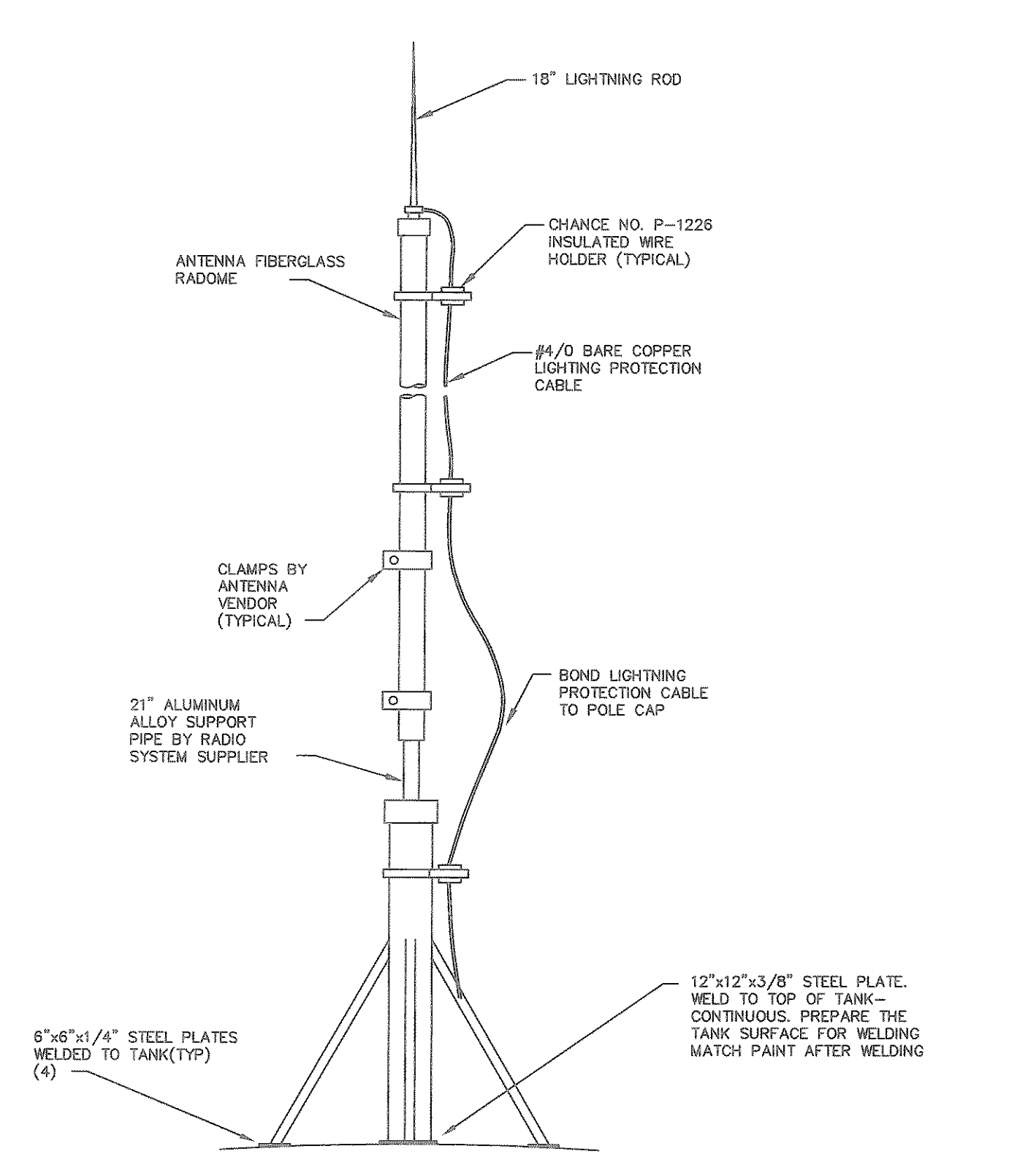
6 CONDUIT MOUNTING DETAIL
SCALE: N.T.S.



7 SERVICE POLE DETAIL
SCALE: N.T.S.



8 DUCTBANK DETAIL
SCALE: N.T.S.



9 ANTENNA MOUNTING DETAIL
SCALE: N.T.S.

No.	Date	Revisions	App.

Chiang, Patel and Associates, Inc.
Consulting Engineers • Planners • Project Managers
Dallas, Texas

RECORD DRAWING
P.K. PATEL, P.E. #44712
CHIANG, PATEL & VERBY, INC.

CITY OF ROCKWALL
"THE NEW HORIZON"



ELECTRICAL DETAILS
CITY OF ROCKWALL
SOUTHSIDE ELEVATED STORAGE TANK

Scale: AS SHOWN Date: FEB. 1994
Designed by: P.N. MOSELEY
Drawn by: T.G. GRANT
Checked by: P.N. MOSELEY
Approved by: P.K. PATEL
Project No.: CRO 9357.20