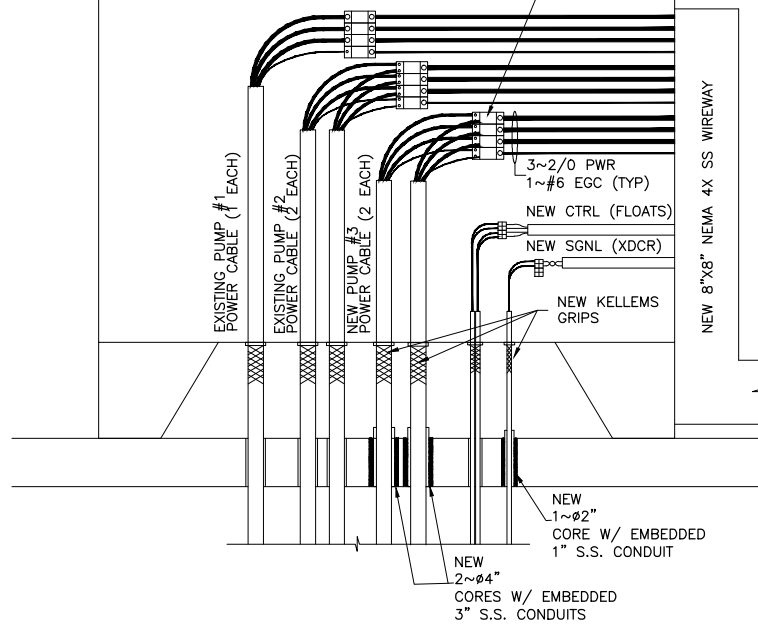


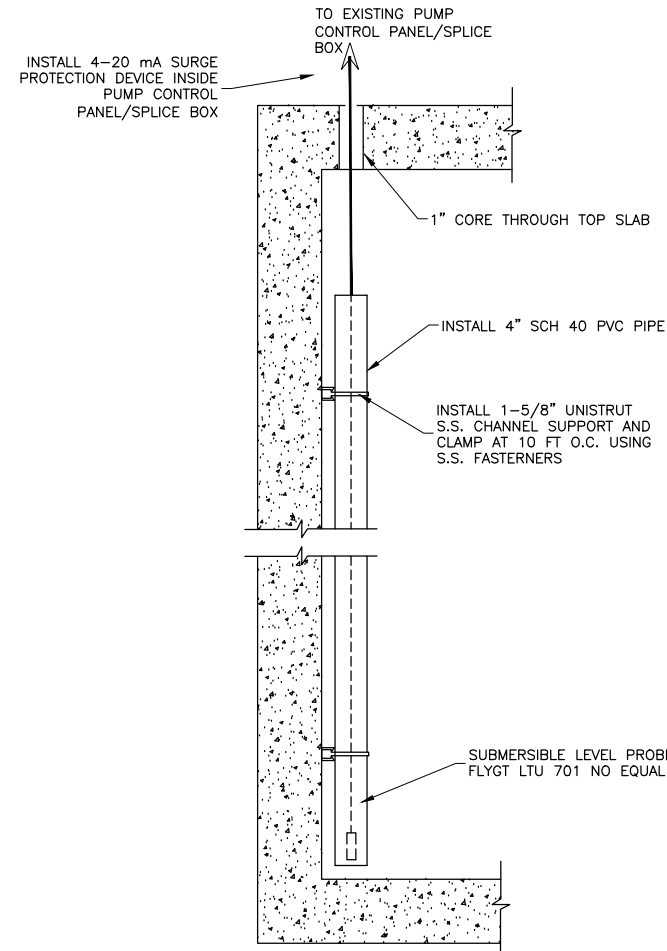
USE EXISTING PUMP CONTROL PANEL AS A SPLICE BOX BETWEEN REMOVABLE PUMP CABLES AND PERMANENTLY INSTALLED SEALED POWER AND CONTROL CABLES. REUSE EXISTING POWER DISTRIBUTION BLOCKS AND CONTROL & SIGNAL TERMINAL BLOCKS FOR THE EXISTING TWO PUMPS WHENEVER POSSIBLE.

ADD NEW POWER DISTRIBUTION BLOCK SQUARE D CLASS 9080 MODEL LBA, 175A RATED FOR THE NEW THIRD PUMP DUAL CABLE. INSTALL LIQUIDTIGHT KELLEMS STRAIN RELIEF GRIPS TO MATCH THE EXISTING ONES FOR 2~ NEW POWER CABLES (PUMP #3)

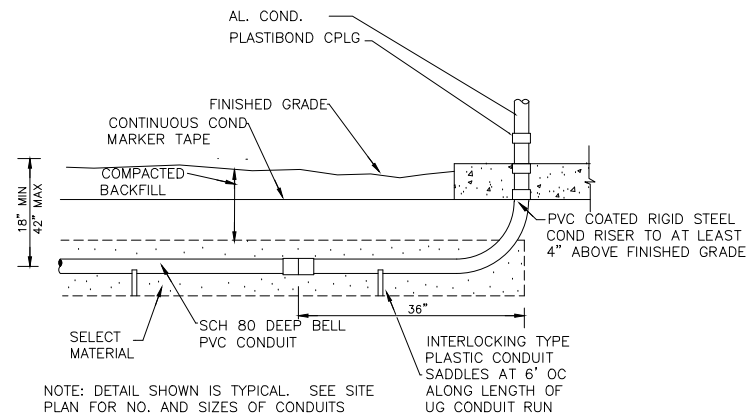


RECONNECTION OF ALL THREE PUMPS INSIDE EXISTING CONTROL PANEL/SPLICE BOX MUST BE COMPLETED DURING THE LIFT STATION SHUTDOWN FOR INSTALLATION OF THIRD PUMP

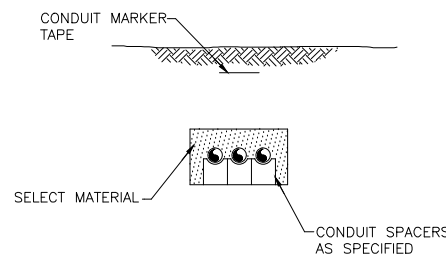
**PUMP CABLE SPLICE BOX DETAIL**  
N.T.S.



**SUBMERSIBLE PROBE INSTALLATION DETAIL**  
N.T.S.

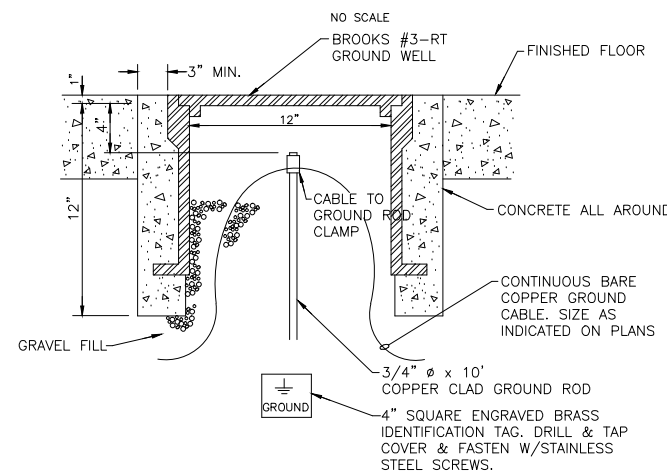


**LONGITUDINAL SECTION**



**TRANSVERSE SECTION**

**UNDERGROUND CONDUIT RUN**



**GROUND ROD AND WELL DETAIL**  
NO SCALE

FMI PROJECT #  
15023

*Damir Lulo*  
THE SEAL APPEARING ON THIS DOCUMENT WAS AUTHORIZED BY DAMIR LULO, P.E. NO. 90370 ON 6/7/16

**FREEMAN-MILLICAN, INC.**  
ENGINEERS - ARCHITECTS - PLANNERS  
NORTH ABRAMS ROAD 12150, STE 500, DALLAS TX 75244-0500(972) 214-9033(114897)  
TX REG ENG. FIRM 1-2827