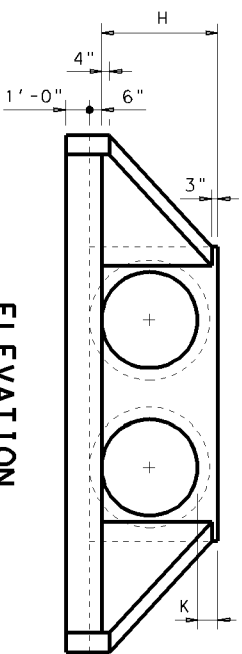


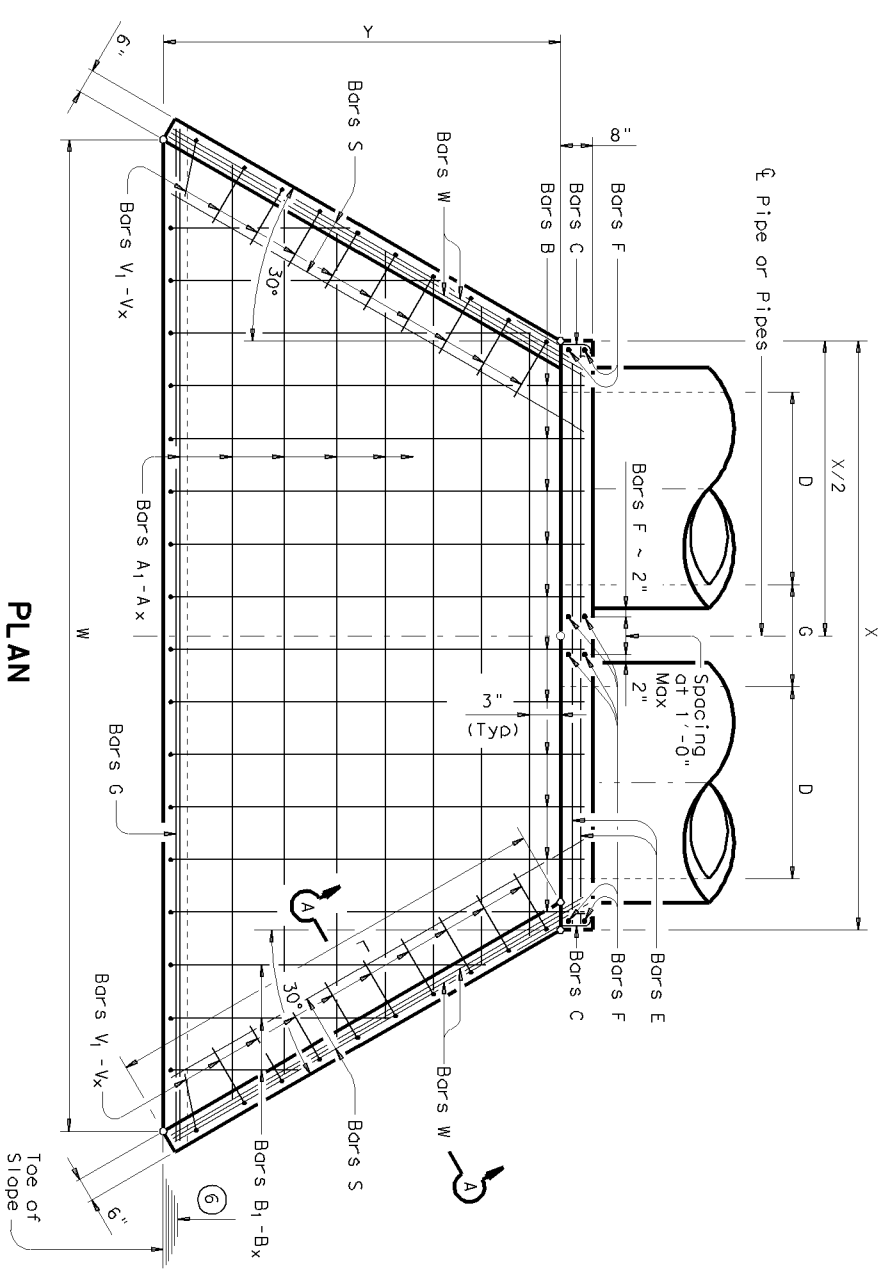
TABLE OF VARIABLE DIMENSIONS AND QUANTITIES FOR ONE HEADWALL (4)

L.O.D. ID	Values for one Pipe				Values to be added for each add'l Pipe	
	W	X	Y	L	Reinf Conc (lbs) (CY)	Reinf Conc (lbs) (CY)
12"	4'-7 1/2"	2'-6"	2'-10"	3'-3 1/4"	84	0.6
15"	5'-5 3/4"	2'-9 1/2"	3'-4"	3'-10 1/4"	99	0.7
18"	6'-4 1/4"	3'-1"	3'-10"	4'-5"	120	0.9
21"	7'-2 3/4"	3'-4 1/2"	4'-4"	5'-0"	137	1.1
24"	8'-2 1/2"	3'-9 1/2"	4'-10"	5'-7"	158	1.3
27"	9'-1"	4'-1"	5'-4"	6'-2"	173	1.5
30"	9'-11 1/2"	4'-4 1/2"	5'-10"	6'-8 3/4"	197	1.7
33"	10'-10"	4'-8"	6'-4"	7'-3 3/4"	216	2.0
36"	11'-8 1/4"	4'-11 1/2"	6'-10"	7'-10 3/4"	241	2.2
42"	13'-5 1/4"	5'-6 1/2"	7'-10"	9'-0 1/2"	290	2.8
48"	15'-9"	6'-1 1/2"	9'-4"	10'-9 1/4"	350	3.8
54"	17'-5 3/4"	6'-8 1/2"	10'-4"	11'-11 1/4"	415	4.5
60"	19'-2 3/4"	7'-3 1/2"	11'-4"	13'-1"	469	5.3
66"	20'-11 1/2"	7'-10 1/2"	12'-4"	14'-3"	530	6.2
72"	22'-8 1/2"	8'-5 1/2"	13'-4"	15'-4 3/4"	587	7.1
12"	6'-3"	2'-6"	4'-3"	4'-11"	114	0.8
15"	7'-5"	2'-9 1/2"	5'-0"	5'-9 1/4"	133	1.1
18"	8'-6 3/4"	3'-1"	5'-9"	6'-7 3/4"	166	1.3
21"	9'-8 3/4"	3'-4 1/2"	6'-6"	7'-6"	189	1.6
24"	11'-0"	3'-9 1/2"	7'-3"	8'-4 1/2"	221	2.0
27"	12'-2"	4'-1"	8'-0"	9'-2 3/4"	245	2.3
30"	13'-4"	4'-4 1/2"	8'-9"	10'-1 1/4"	287	2.7
33"	14'-5 3/4"	4'-8"	9'-6"	10'-11 3/4"	310	3.1
36"	15'-7 3/4"	4'-11 1/2"	10'-3"	11'-10"	343	3.5
42"	17'-11 1/2"	5'-6 1/2"	11'-9"	13'-6 3/4"	424	4.5
48"	21'-1 3/4"	6'-1 1/2"	14'-0"	16'-2"	527	6.1
54"	23'-5 1/2"	6'-8 1/2"	15'-6"	17'-10 3/4"	618	7.3
60"	25'-9 1/4"	7'-3 1/2"	17'-0"	19'-7 1/2"	707	8.7
66"	28'-1"	7'-10 1/2"	18'-6"	21'-4 1/4"	797	10.1
72"	30'-4 3/4"	8'-5 1/2"	20'-0"	23'-1 1/4"	910	11.7
12"	7'-10 3/4"	2'-6"	5'-8"	6'-6 1/2"	144	1.1
15"	9'-4"	2'-9 1/2"	6'-8"	7'-8 1/2"	177	1.5
18"	10'-9 1/2"	3'-1"	7'-8"	8'-10 1/4"	217	1.9
21"	12'-2 3/4"	3'-4 1/2"	8'-8"	10'-0"	254	2.3
24"	13'-9 1/2"	3'-9 1/2"	9'-8"	11'-2"	295	2.8
27"	15'-3"	4'-1"	10'-8"	13'-3 3/4"	328	3.3
30"	16'-8 1/4"	4'-4 1/2"	11'-8"	14'-7 1/2"	379	3.8
33"	18'-1 3/4"	4'-8"	12'-8"	15'-5 3/4"	417	4.5
36"	19'-7"	4'-11 1/2"	13'-8"	15'-9 1/4"	464	5.1
42"	22'-5 3/4"	5'-6 1/2"	15'-8"	18'-1"	575	6.5
48"	26'-6 1/4"	6'-1 1/2"	18'-8"	21'-6 3/4"	720	8.9
54"	29'-5"	6'-8 1/2"	20'-8"	23'-10 1/4"	863	10.7
60"	32'-3 3/4"	7'-3 1/2"	22'-8"	26'-2"	984	12.7
66"	35'-2 1/2"	7'-10 1/2"	24'-8"	28'-5 3/4"	1126	14.9
72"	38'-1 1/4"	8'-5 1/2"	26'-8"	30'-9 1/2"	1283	17.3
12"	11'-2"	2'-6"	8'-6"	9'-9 3/4"	220	1.9
15"	13'-2 1/4"	2'-9 1/2"	10'-0"	11'-6 1/2"	264	2.5
18"	15'-2 1/2"	3'-1"	11'-6"	13'-3 1/4"	326	3.2
21"	17'-2 3/4"	3'-4 1/2"	13'-0"	15'-0 1/4"	381	3.9
24"	19'-4 1/2"	3'-9 1/2"	14'-0"	16'-9"	447	4.8
27"	21'-4 3/4"	4'-1"	16'-0"	18'-5 3/4"	506	5.7
30"	23'-5 1/4"	4'-4 1/2"	17'-6"	20'-2 1/2"	587	6.7
33"	25'-5 1/2"	4'-8"	19'-0"	21'-11 1/4"	667	7.8
36"	27'-5 3/4"	4'-11 1/2"	20'-6"	23'-8"	727	9.0
42"	31'-6 1/4"	5'-6 1/2"	23'-6"	27'-1 1/2"	914	11.5
48"	37'-3 1/2"	6'-1 1/2"	28'-0"	32'-4"	1181	15.9
54"	41'-4 1/4"	6'-8 1/2"	31'-0"	35'-9 1/2"	1412	19.2
60"	45'-4 3/4"	7'-3 1/2"	34'-0"	39'-3"	1619	22.9

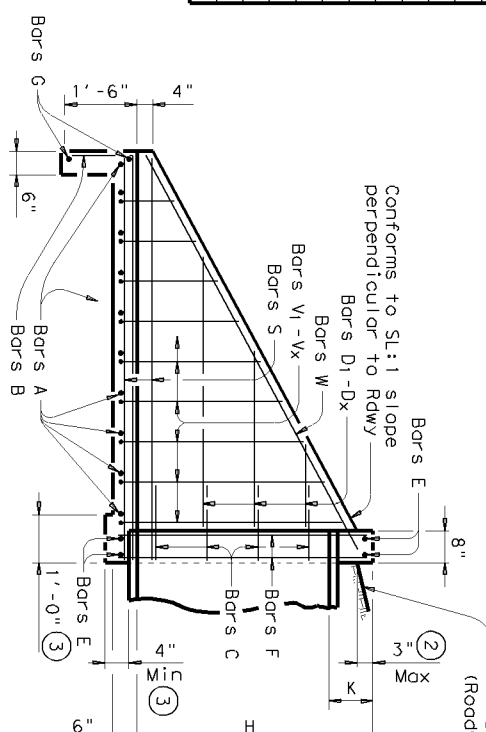


ELEVATION
Showing dimensions

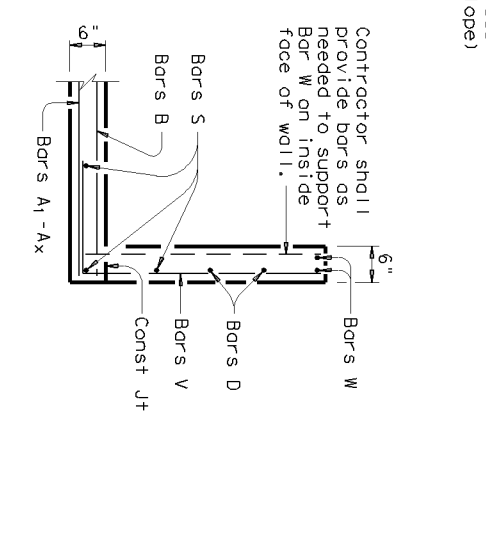
- Quantities shown are for concrete pipe and will increase slightly for metal pipe installations.
- For vehicle safety, curbs shall project no more than 3" above finished grade. Curb heights shall be reduced, if necessary, to meet these requirements. No changes will be made in quantities and no additional compensation will be allowed for this work.
- Provide a 1'-0" footing as shown where required to maintain 4" Min cover for pipes.
- Quantities shown are for one structure end only (one headwall).
- Min Length = $6" + 3" \times \left(\frac{12 \times H - 7}{12 \times L} \right)$
- Max Length = $12 \times H - 3" \times \left(\frac{12 \times H - 7}{12 \times L} \right) - 1"$
- Lengths of wings based on SL:1 Slope along this line.



PLAN
Finished Grade (Roadway Slope)



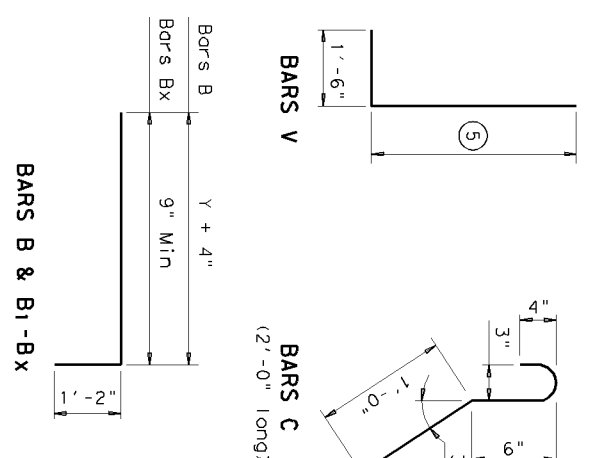
TYPICAL WING ELEVATION



SECTION A-A

Bar	Size	Spd	No.	L.O.D. ID	G	K	H
A	#4	1'-0"	~	12"	9"	1'-0"	2'-0"
B	#3	1'-6"	~	15"	11"	1'-0"	2'-3"
C	#4	1'-0"	~	18"	1'-2"	1'-0"	2'-6"
D	#3	1'-0"	~	21"	1'-4"	1'-0"	2'-9"
E	#5	~	~	24"	1'-7"	1'-0"	3'-0"
F	#3	~	~	27"	1'-8"	1'-0"	3'-3"
G	#4	1'-0"	~	30"	1'-10"	1'-0"	3'-6"
V	#4	1'-0"	~	33"	1'-11"	1'-0"	3'-9"
W	#5	~	~	36"	2'-1"	1'-0"	4'-0"
				42"	2'-4"	1'-0"	4'-6"
				48"	2'-7"	1'-3"	5'-3"
				54"	3'-0"	1'-3"	5'-9"
				60"	3'-3"	1'-3"	6'-3"
				66"	3'-3"	1'-3"	6'-9"
				72"	3'-4"	1'-3"	7'-3"

L.O.D. ID	G	K	H
12"	9"	1'-0"	2'-0"
15"	11"	1'-0"	2'-3"
18"	1'-2"	1'-0"	2'-6"
21"	1'-4"	1'-0"	2'-9"
24"	1'-7"	1'-0"	3'-0"
27"	1'-8"	1'-0"	3'-3"
30"	1'-10"	1'-0"	3'-6"
33"	1'-11"	1'-0"	3'-9"
36"	2'-1"	1'-0"	4'-0"
42"	2'-4"	1'-0"	4'-6"
48"	2'-7"	1'-3"	5'-3"
54"	3'-0"	1'-3"	5'-9"
60"	3'-3"	1'-3"	6'-3"
66"	3'-3"	1'-3"	6'-9"
72"	3'-4"	1'-3"	7'-3"



GENERAL NOTES:
Designed according to current AASHTO Standard and Interim Specifications. Reinforcing steel shall be placed with the center of the outside layer of bars 2" from the surface of the concrete. All reinforcing steel shall be Grade 60. All concrete shall be Class "C" and shall have a minimum compressive strength of 3600 psi. No bridge rails of any type may be mounted directly to these culvert headwalls.

Texas Department of Transportation
Bridge Division
CONCRETE HEADWALLS WITH FLARED WINGS FOR 0° SKEW PIPE CULVERTS

CH-FW-0

FILED	CHFW005a.dgn	DWG	TXDOT	CHK	TXDOT	CRK	GAE
DATE	May 2005	DISTRICT	FEDERAL AID PROJECT	REVISIONS	COUNT	CONTROL SECT	JOB
					15		HIGHWAY

DISCLAIMER:
The use of this standard is governed by the "Texas Engineering Practice Act". No warranty of any kind is made by TxDOT for any purpose whatsoever. TxDOT assumes no responsibility for the conversion of this standard to other formats or for incorrect results or damages resulting from its use.

LEVELS DISPLAYED	ACC:
1	