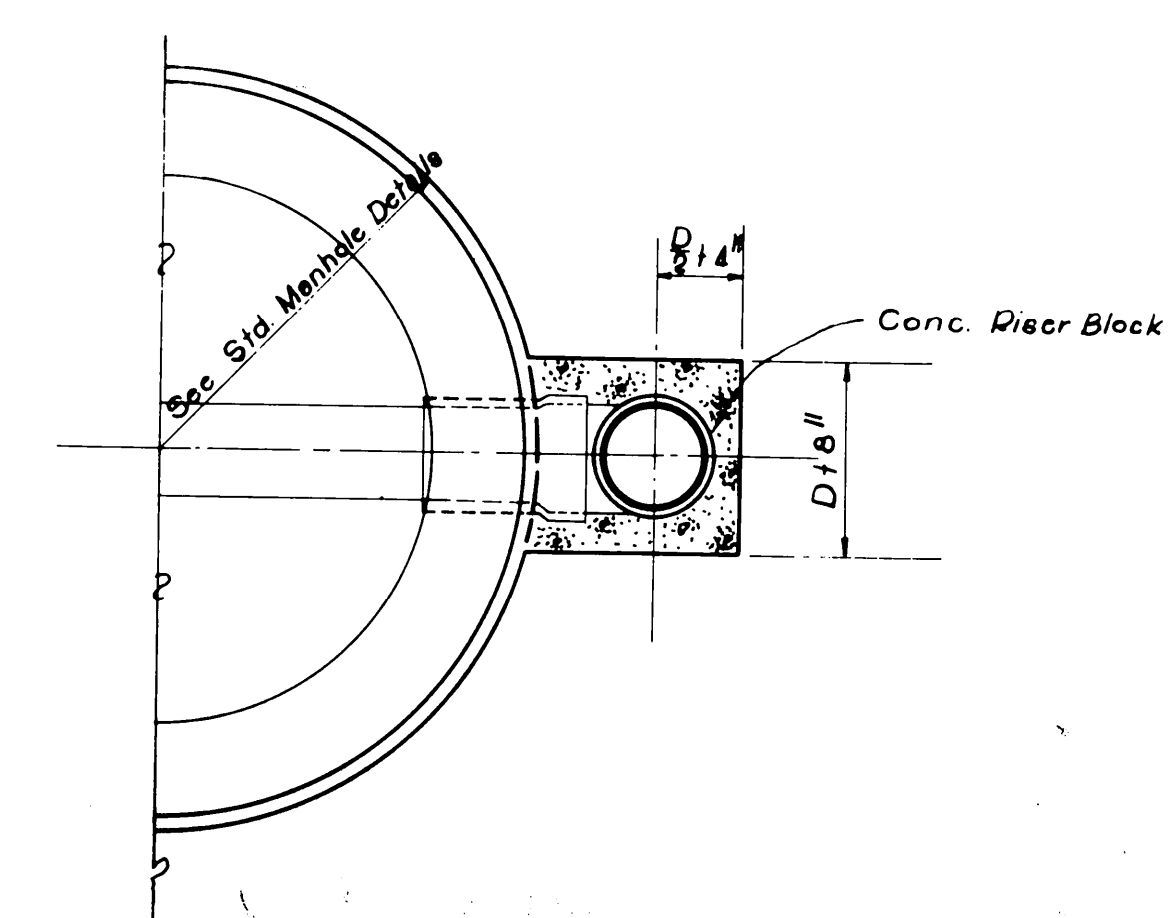
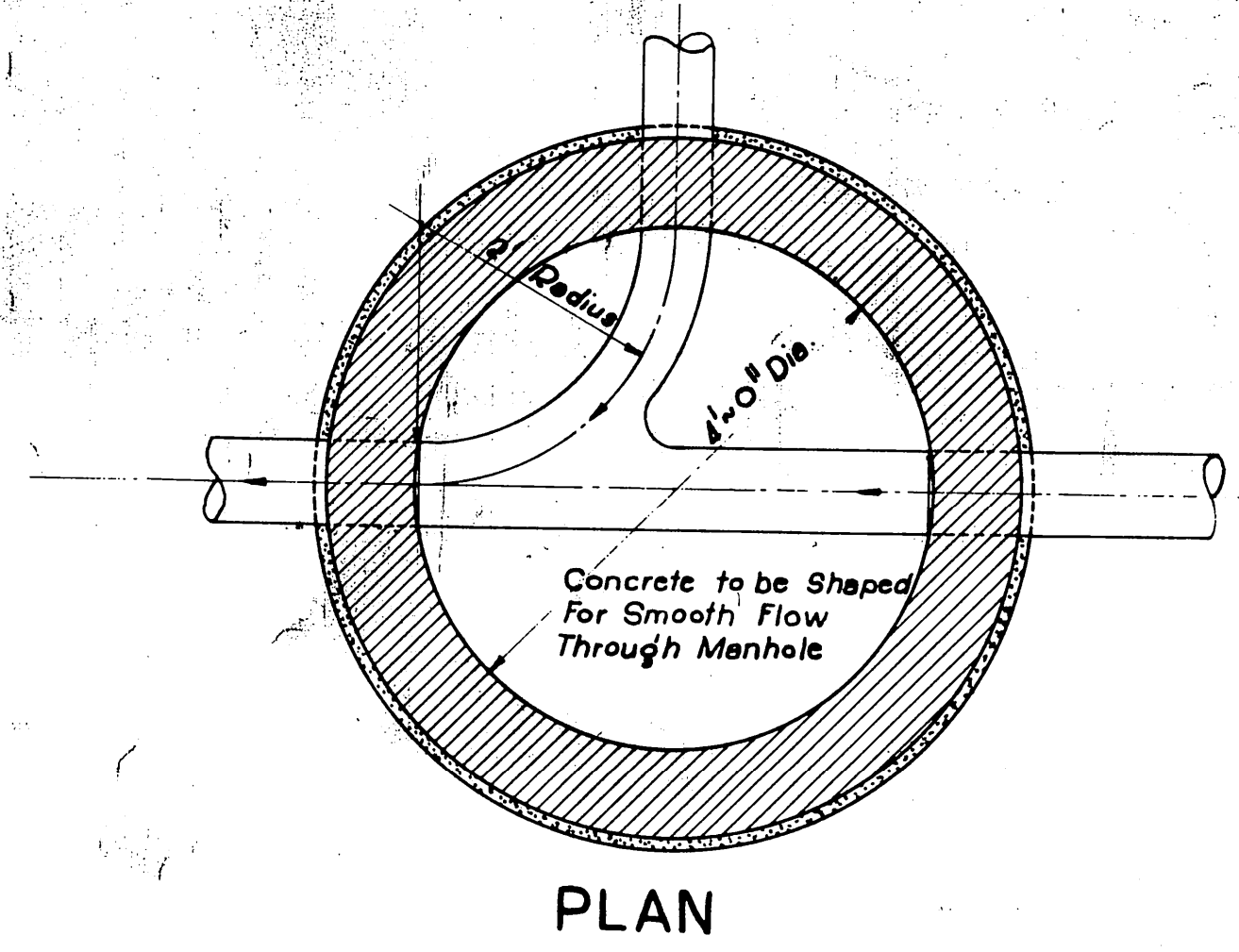


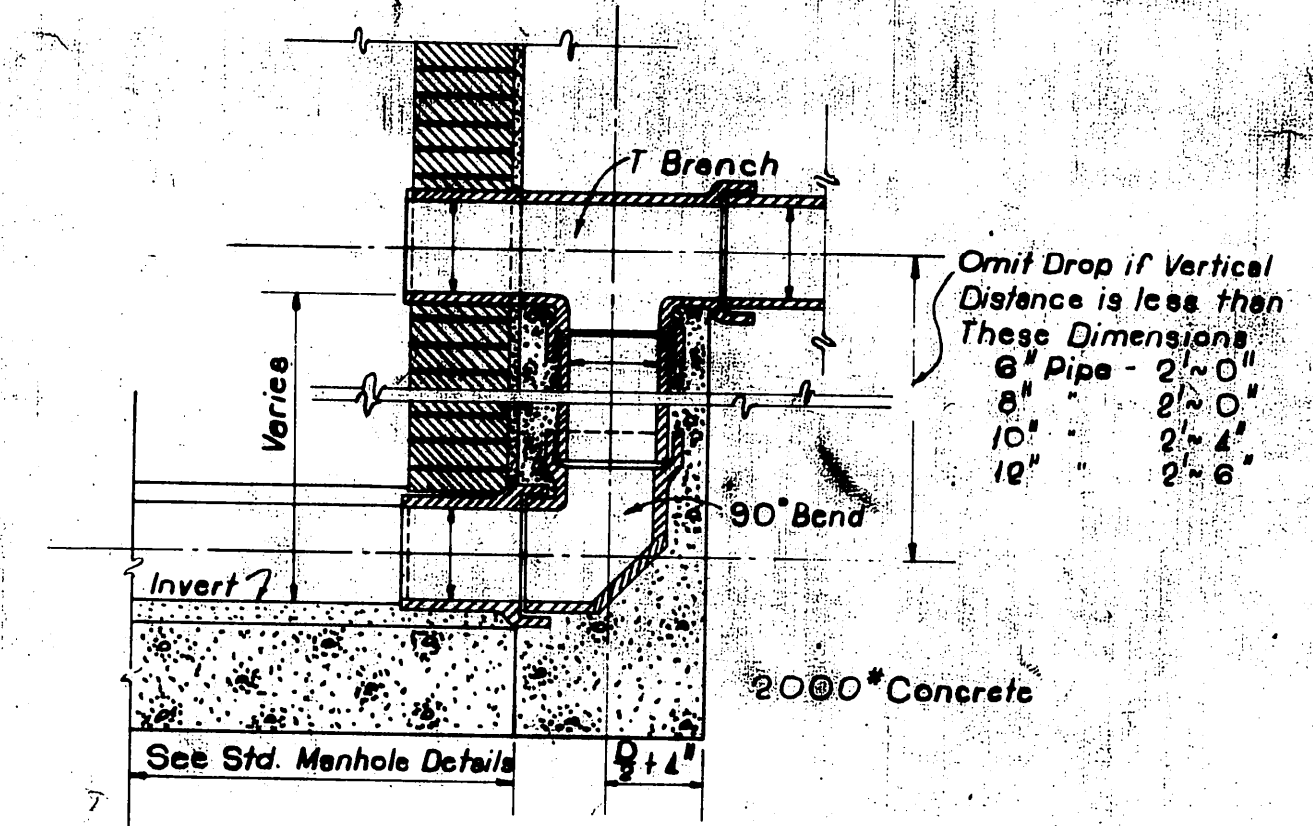
**SECTION
MANHOLE DETAILS**
SCALE: 3/4" = 1'-0"



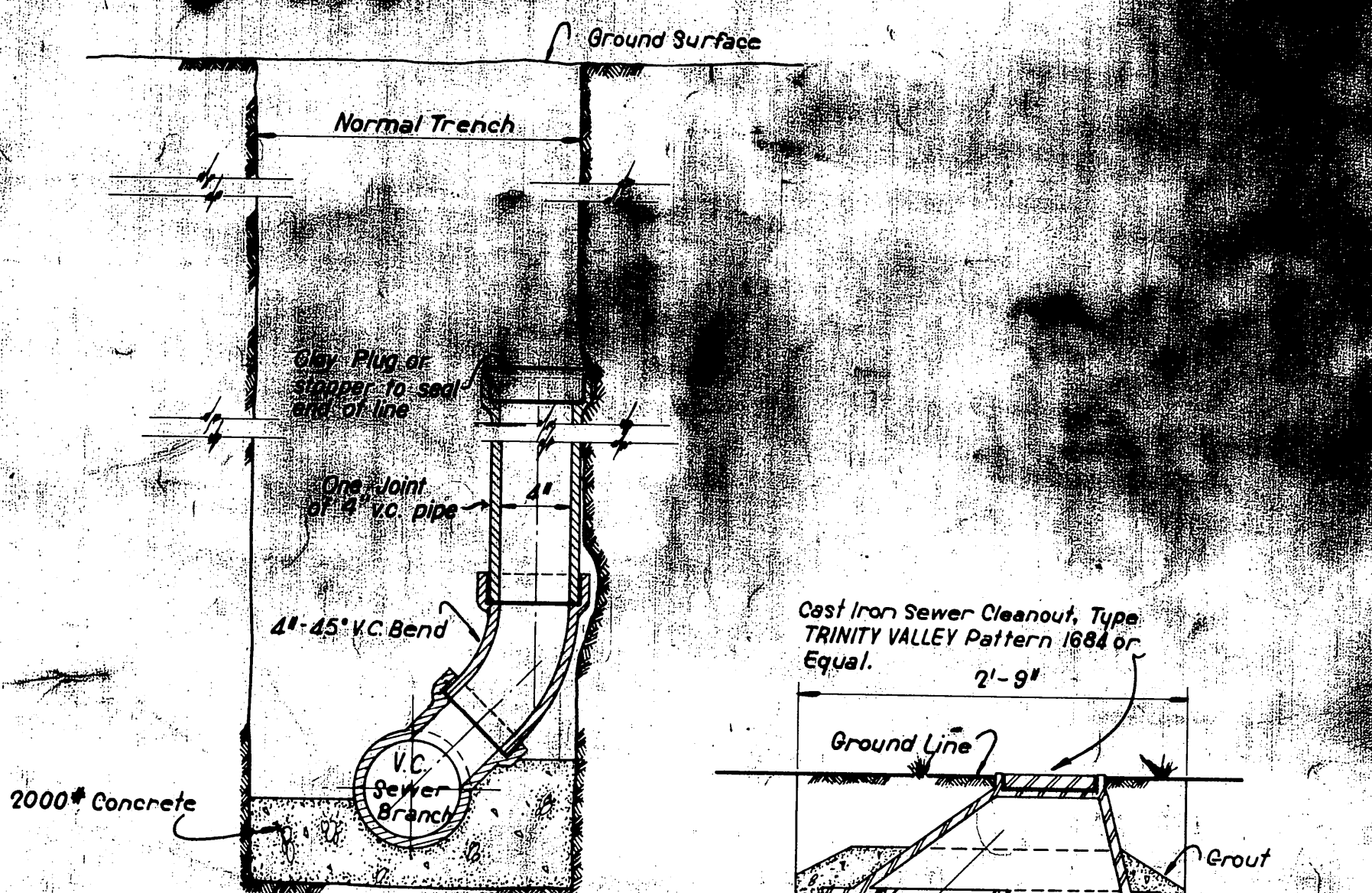
**PLAN of MANHOLE
DROP**
DO NOT SCALE



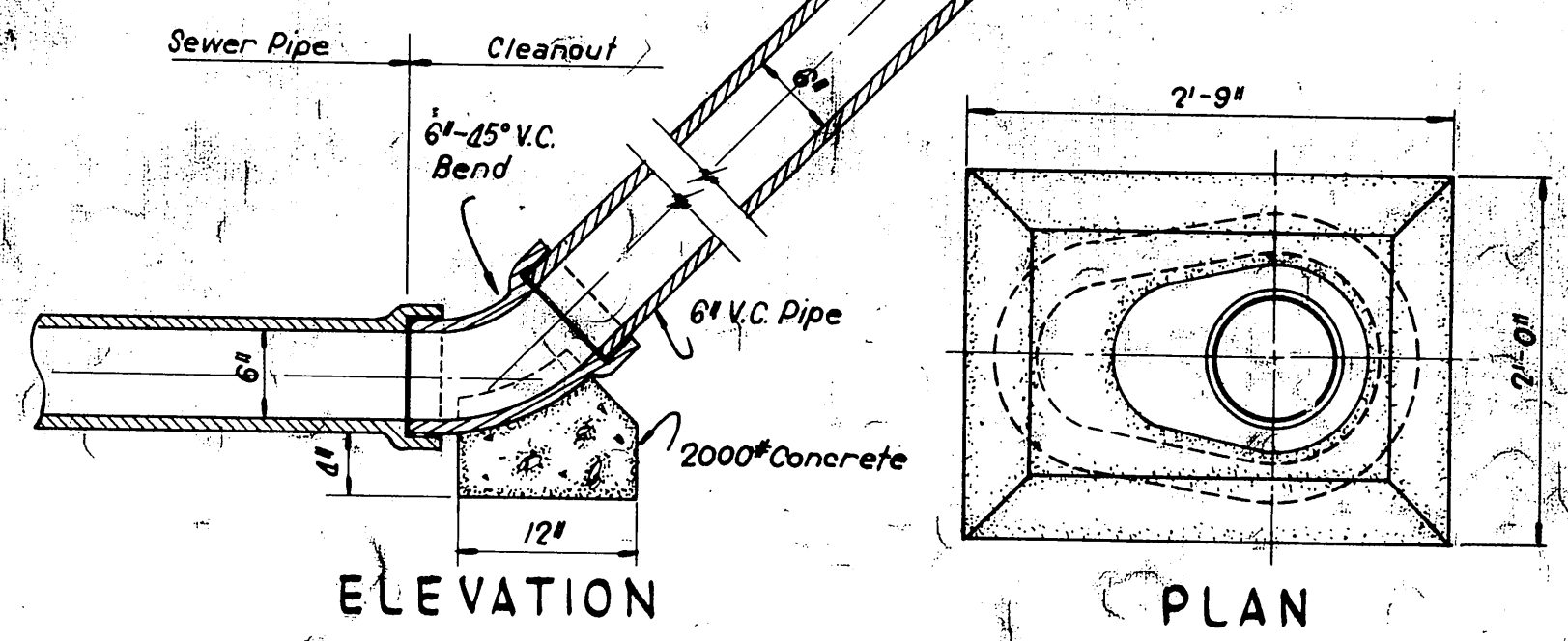
PLAN



**DETAIL of DROP
FOR
DROP MANHOLE**
DO NOT SCALE



SERVICE CONNECTION
DO NOT SCALE



**ELEVATION
SEWER CLEANOUT**
SCALE 1" = 1'-0"



CITY OF ROCKWALL, TEXAS
SEWER SYSTEM IMPROVEMENTS
SEWER LINE EXTENSION
DETAILS

DESIGNED: [Signature]	FRESE, NICHOLS & ASSOCIATES
DRAWN: [Signature]	CONSULTING ENGINEERS
TRACED: [Signature]	FORT WORTH, TEXAS
CHECKED: [Signature]	