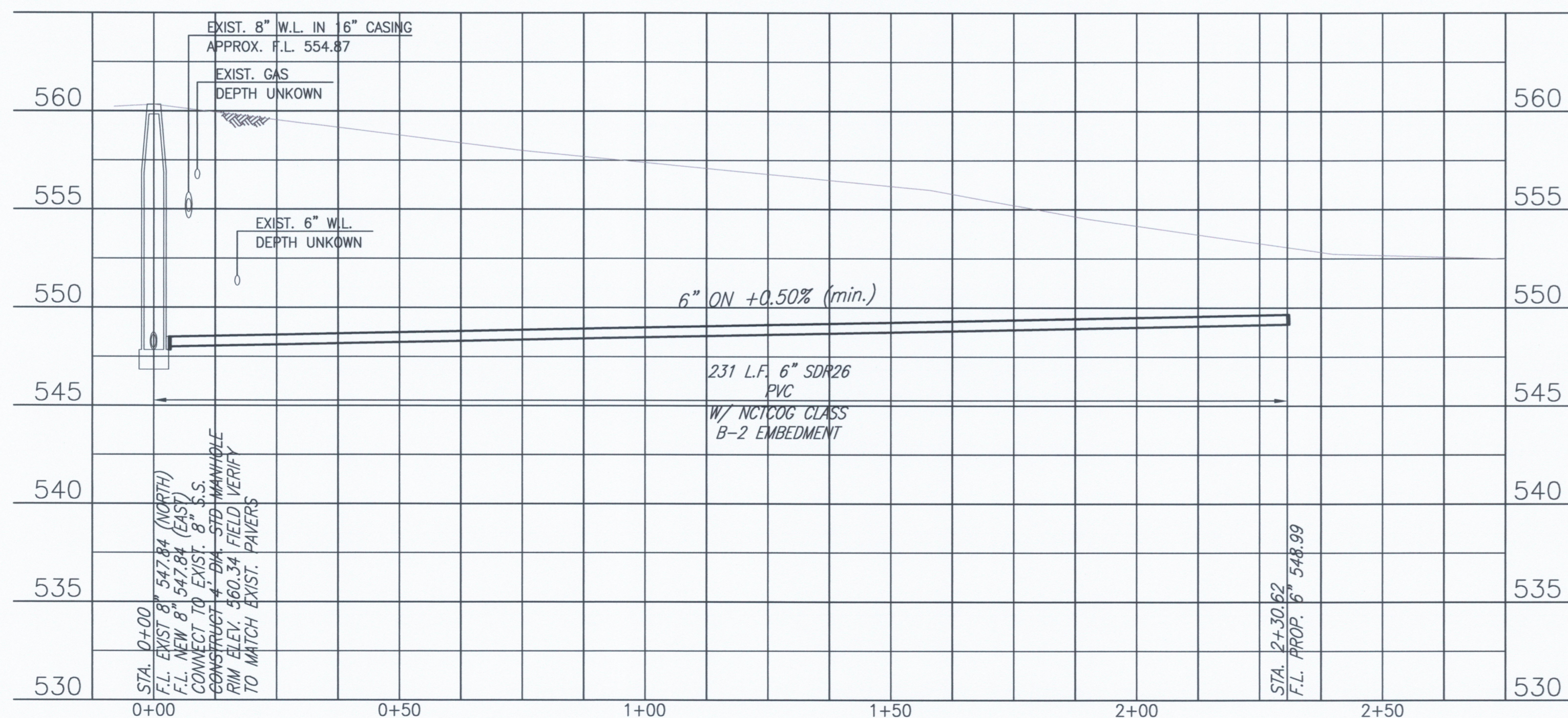




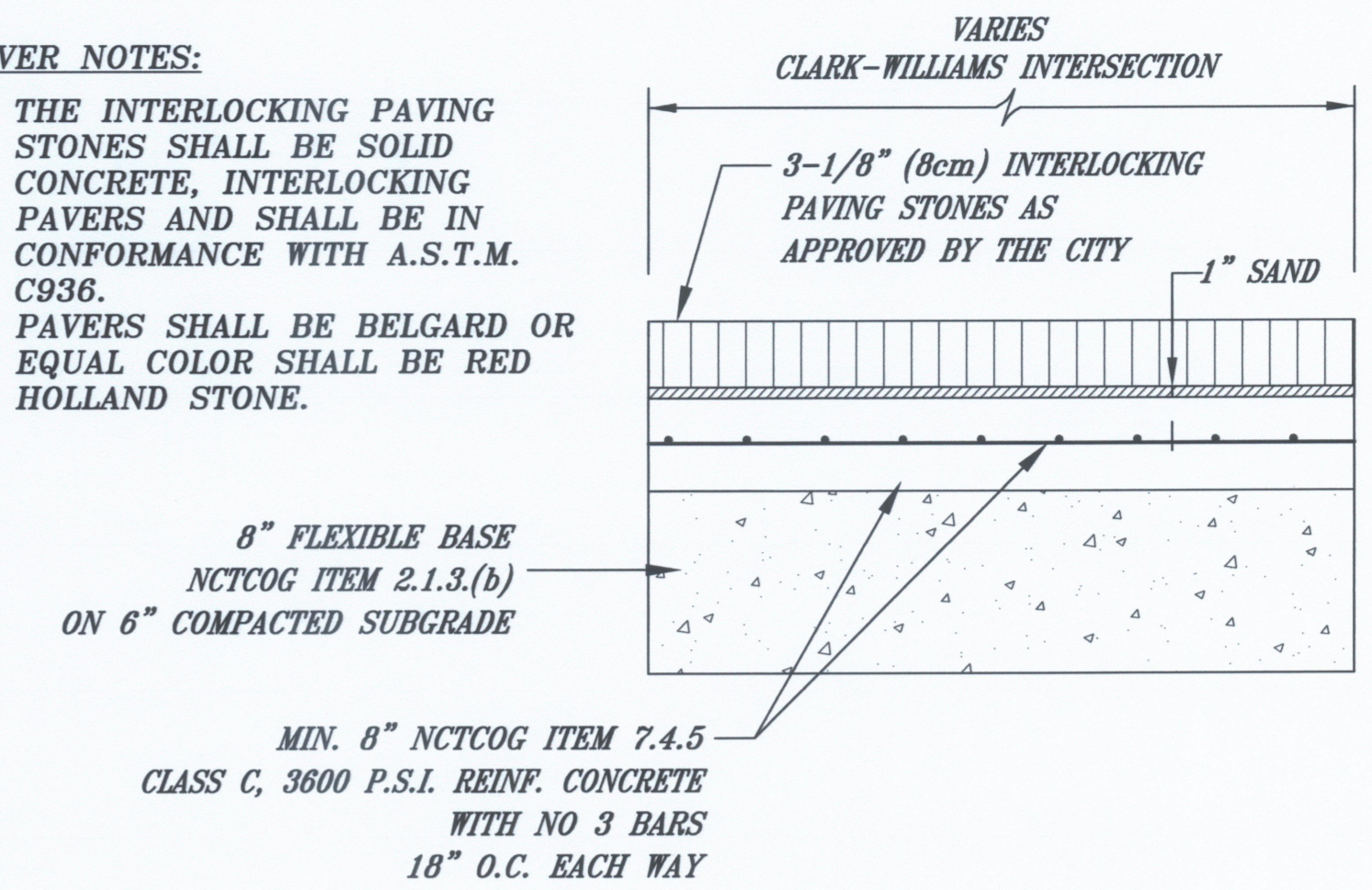
SCALE : 1" = 20'

SANITARY SEWER PROFILE

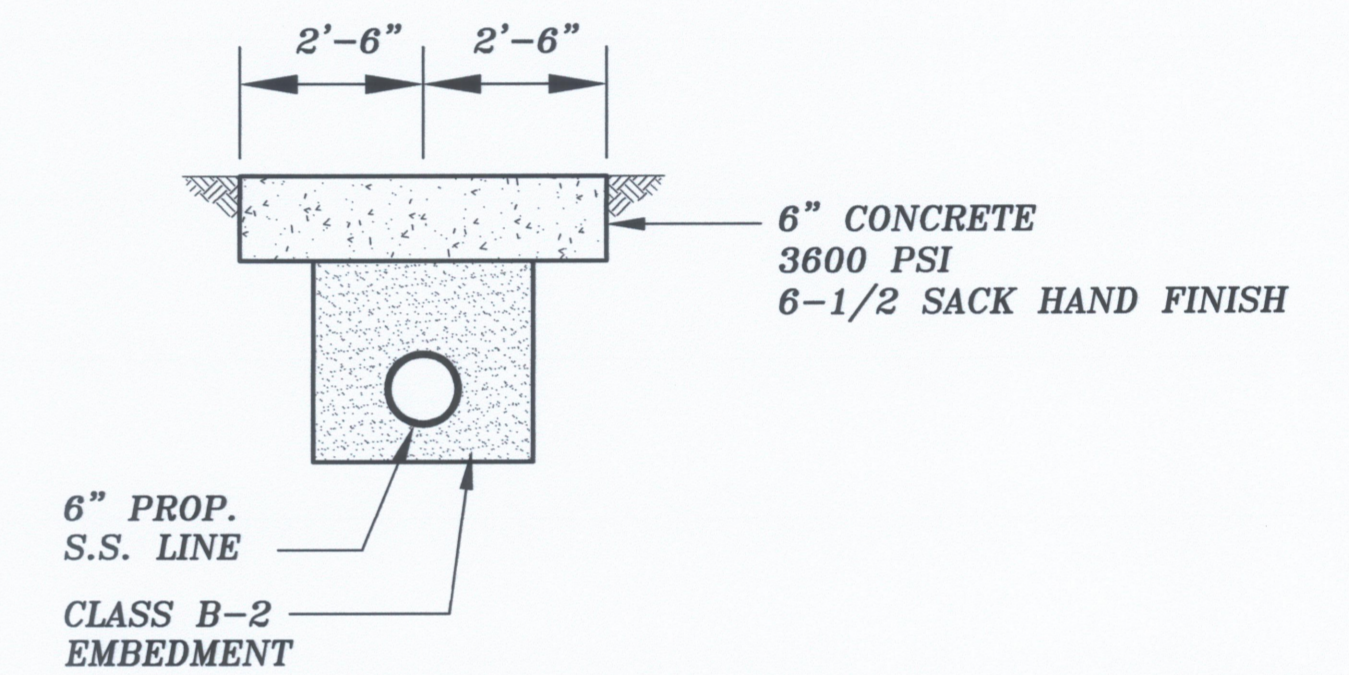


PAVER NOTES:

1. THE INTERLOCKING PAVING STONES SHALL BE SOLID CONCRETE, INTERLOCKING PAVERS AND SHALL BE IN CONFORMANCE WITH A.S.T.M. C936.
2. PAVERS SHALL BE BELGARD OR EQUAL COLOR SHALL BE RED HOLLAND STONE.




BRICK PAVERS SECTION NTS



CONCRETE PAVEMENT REPAIR NTS

NOTES

1. CONTRACTOR IS RESPONSIBLE FOR LOCATION OF ALL EXISTING UTILITIES AND FOR ANY RELOCATIONS, DAMAGES, OR REPAIRS OF SAID EXISTING UTILITIES. EXISTING UTILITIES ON PLANS ARE APPROXIMATE.
2. USE CITY OF ROCKWALL STANDARD DETAILS AND NCTCOG 3RD EDITION DETAILS, AS MODIFIED BY CITY.
3. GREEN EMS PADS SHALL BE INSTALLED AT EVERY CLEAN OUT AND SERVICE ON THE PROPOSED SANITARY SEWER.
4. TRANSFER SANITARY SEWER SERVICE INCLUDING SERVICE LINE, CLEAN OUT AND ALL FITTINGS. INSTALL NEW CLEAN OUTS AT R.O.W. LINE.

SANITARY SEWER IMPROVEMENT
 WILLIAMS STREET (S.H. 66)
 ROCKWALL, TEXAS
 CITY OF ROCKWALL
 "THE NEW HORIZON"

REVISION NO.	REMARKS	DATE

DESIGNED:	KRL
DRAWN:	ACAD
JOB NO. Clark Williams Sewer.dwg	DATE: 08/29/11
SHEET NO. 1 OF 1	

