

NOTE:

CONSTRUCTION OF SANITARY SEWER LINE "A" MUST BE COORDINATED WITH TXDOT AND THEIR CONTRACTOR FOR SUBS.

STA. 2+97.58  
STA. 3+11 LN. "A"  
CONST. 4' DIA SS MH  
N=460619.99  
E=231566.78

STA. 3+17.58  
STA. 5+26 LN. "A"  
CONN. TO EXIST. MH  
N=460832.78  
E=231567.02

STA. 0+00 LN. "J"  
CONN. TO EXIST. MH  
N=460944.98  
E=2316242.18

STA. 2+43 LN. "J"  
CONN. TO EXIST. MH  
N=460956.98  
E=2316483.11

STA. 1+90  
END BORE INSTALLATION

105 LF 26" SPLIT STEEL ENCASEMENT BY OPEN CUT

TXDOT NORTH BASELINE

CUT AND PLUG EXIST. 8" SANITARY SEWER

458+00

S.H. 66

TXDOT SOUTH BASELINE

PIPE RADIUS = 200'

459+00

S.H. 66

581.037 ft

464+00

460+00

S.H. 66

463+00

465+00

461+00

S.H. 66

464+00

466+00

462+00

S.H. 66

465+00

467+00

463+00

S.H. 66

466+00

468+00

464+00

S.H. 66

467+00

469+00

465+00

S.H. 66

468+00

470+00

466+00

S.H. 66

469+00

471+00

467+00

S.H. 66

470+00

472+00

468+00

S.H. 66

471+00

473+00

469+00

S.H. 66

472+00

474+00

470+00

S.H. 66

473+00

475+00

471+00

S.H. 66

474+00

476+00

472+00

S.H. 66

475+00

477+00

473+00

S.H. 66

476+00

478+00

474+00

S.H. 66

477+00

479+00

475+00

S.H. 66

478+00

480+00

476+00

S.H. 66

479+00

481+00

477+00

S.H. 66

480+00

482+00

478+00

S.H. 66

481+00

483+00

479+00

S.H. 66

482+00

484+00

480+00

S.H. 66

483+00

485+00

481+00

S.H. 66

484+00

486+00

482+00

S.H. 66

485+00

487+00

483+00

S.H. 66

486+00

488+00

484+00

S.H. 66

487+00

489+00

485+00

S.H. 66

488+00

490+00

486+00

S.H. 66

489+00

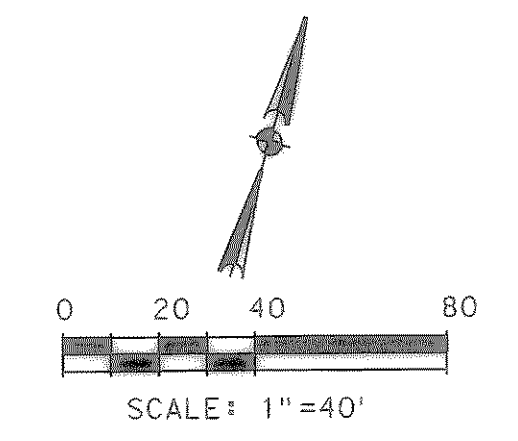
491+00

487+00

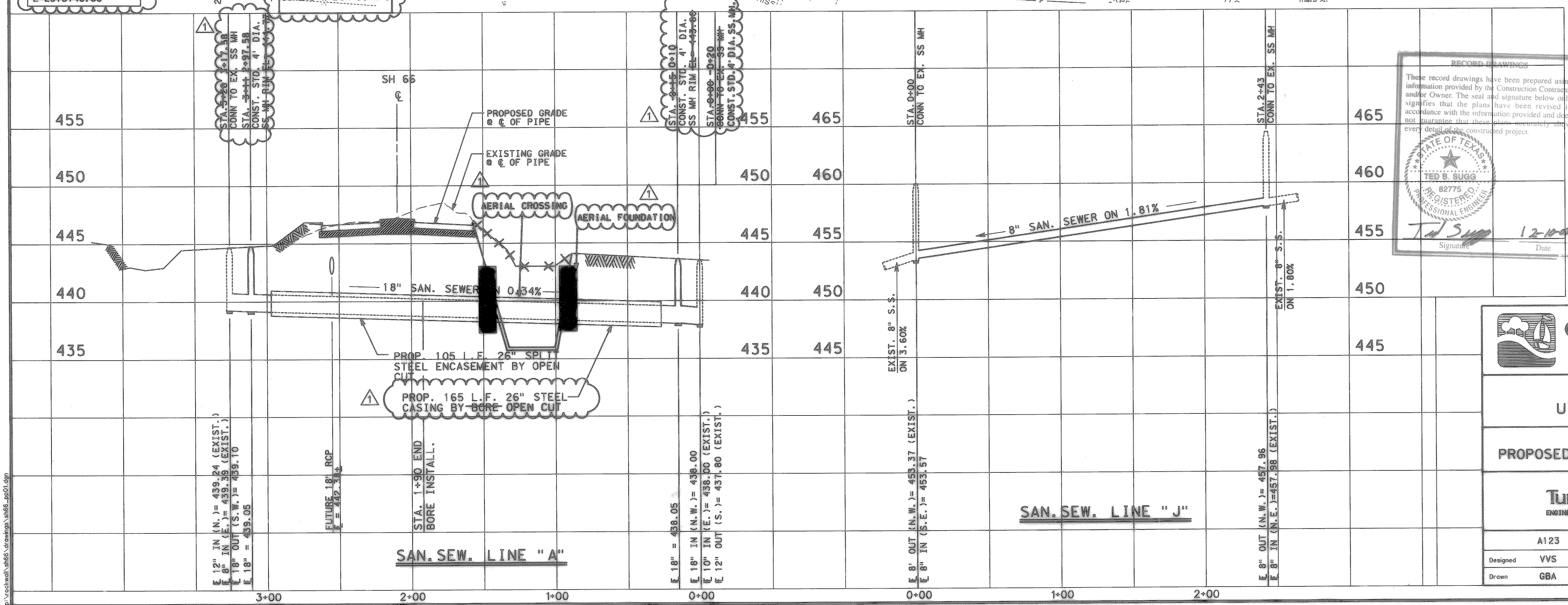
S.H. 66

490+00

492+00



LEGEND	
●	IRON ROD
⊙	STORM MANHOLE
⚡	POWER POLE
⊕	WATER VALVE
⊠	TRAFFIC SIGNAL CONTROL BOX
⊙	TRAFFIC LIGHT
⊕	WATER METER
⊕	LIGHT STANDARD
⊕	SIGN
⊕	ELECTRIC BOX
⊕	FIRE HYDRANT
⊕	GUY WIRE
⊕	TELEPHONE BOX
⊕	SANITARY MANHOLE
⊕	POST
⊕	GROUND LIGHT
⊕	MONUMENT
⊕	SPRINKLER HEAD
⊕	GAS METER
⊕	GAS VALVE
⊕	IRON PIPE
⊕	CLEAN OUT
⊕	GRATE INLET
⊕	MAILBOX
⊕	TELEPHONE MANHOLE



RECORD DRAWINGS  
These record drawings have been prepared using information provided by the Construction Contractor and/or Owner. The seal and signature below only signifies that the plans have been revised in accordance with the information provided and does not guarantee that these drawings accurately show every detail of the constructed project.

STATE OF TEXAS  
TED B. SUGG  
82775  
REGISTERED PROFESSIONAL ENGINEER  
Signature: Ted Sugg  
Date: 12-11-02

**UNDERGROUND UTILITIES**  
THE LOCATION OF EXISTING UTILITIES SHOWN ON THESE PLANS ARE APPROXIMATE AND BASED ON DATA FURNISHED BY UTILITY COMPANIES. IT IS THE RESPONSIBILITY OF THE CONTRACTOR TO LOCATE AND VERIFY ON-SITE THE UTILITIES THAT MAY CONFLICT WITH THE CONSTRUCTION.

STATE OF TEXAS  
VORANIQUE V. SIMON  
86381  
REGISTERED PROFESSIONAL ENGINEER  
THE SEAL APPEARING ON THIS DOCUMENT WAS AUTHORIZED BY VORANIQUE V. SIMON, P.E. 86381 ON 18 APRIL 2001

11/9/02 RECORD DRAWINGS

**CITY OF ROCKWALL**  
"THE NEW HORIZON"

S.H. 66  
UTILITY RELOCATIONS

UTILITY PLAN AND PROFILE  
PROPOSED SANITARY SEWER RELOCATIONS

**TurnerCollie & Braden Inc.**  
ENGINEERS • PLANNERS • PROJECT MANAGERS

A123	Scale: Horiz. 1"=40' Vert. 1"=5'	Date: APRIL, 2001
Designed: VVS	Checked: TBS	Job No. 15-98925-300
Drawn: GBA	Approved: RCR	SHEET 3 OF 19

p:\rockwall\sh66\utilities\sh66\_utility.dwg