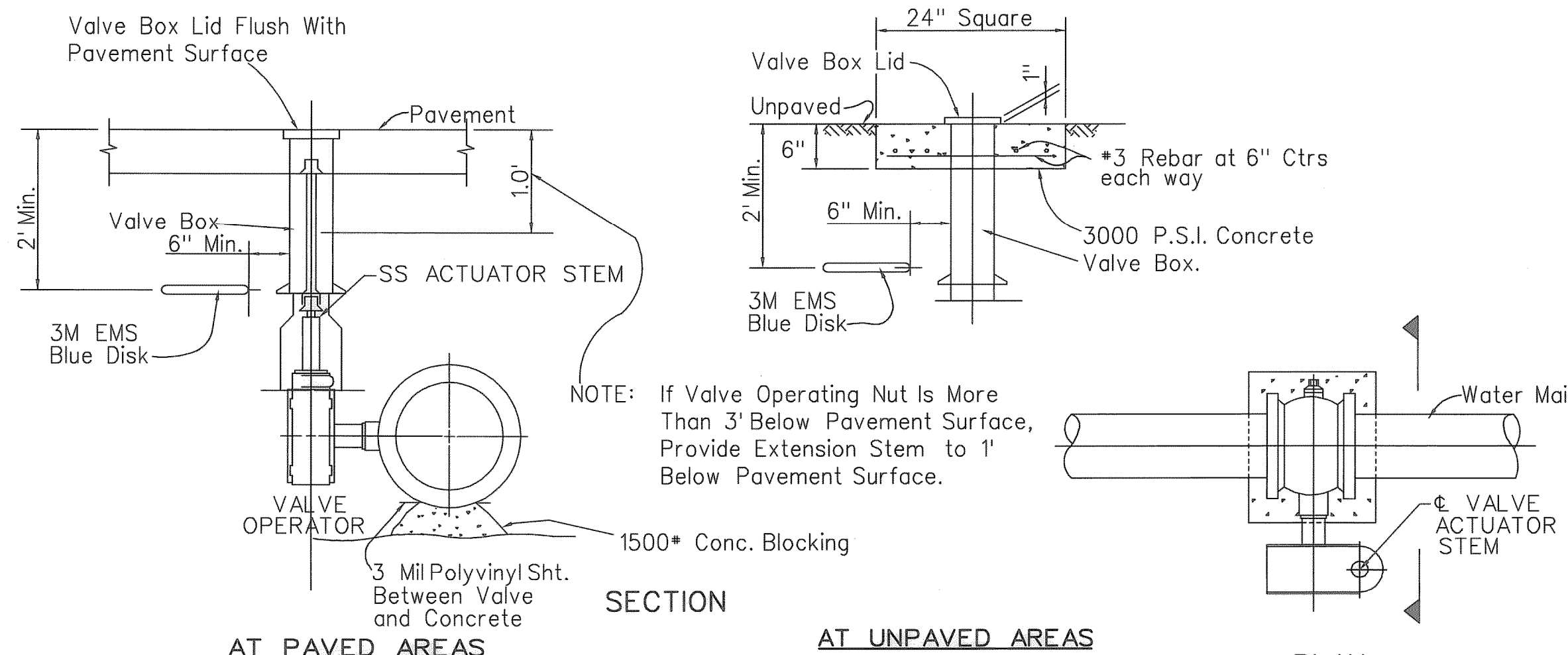


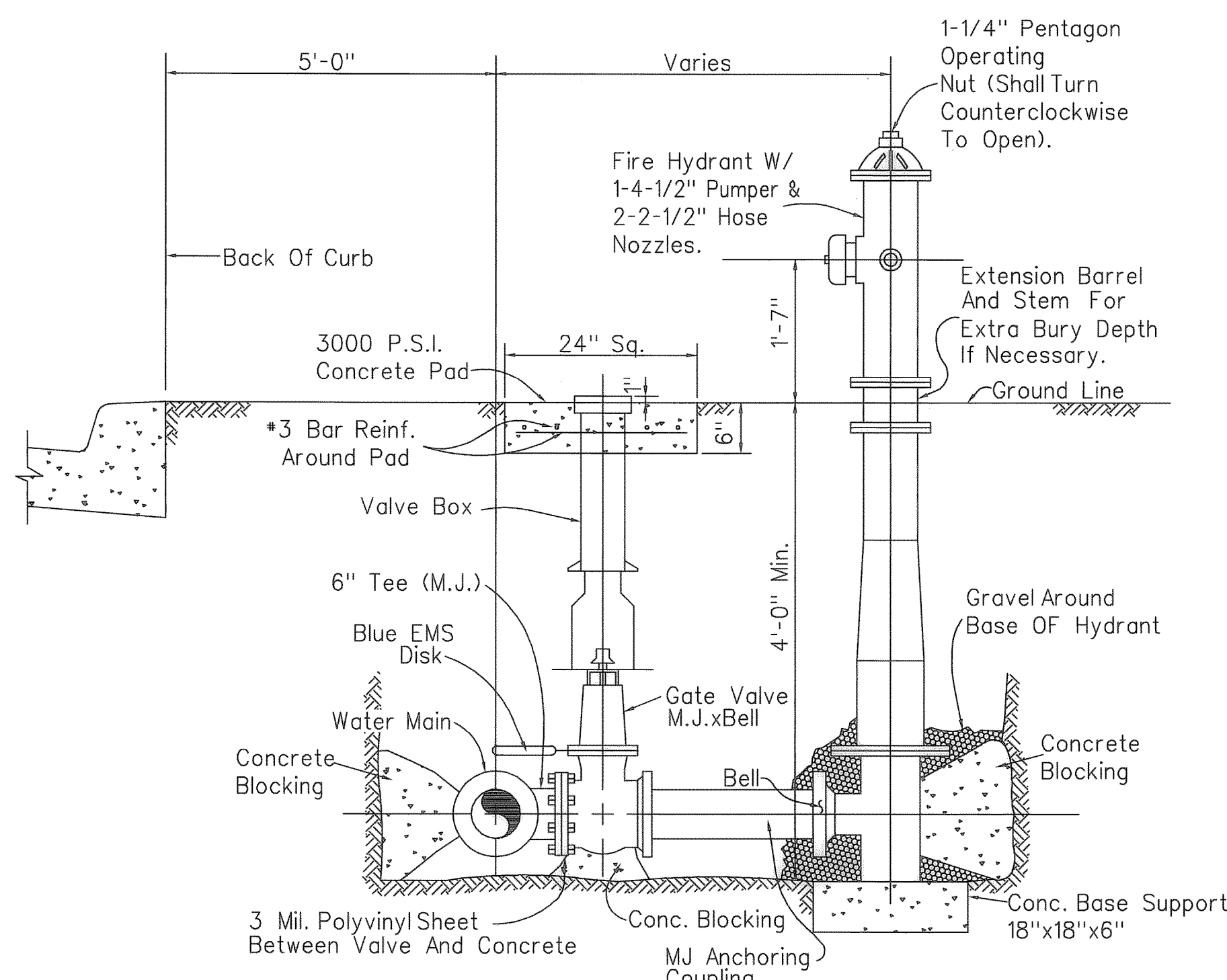
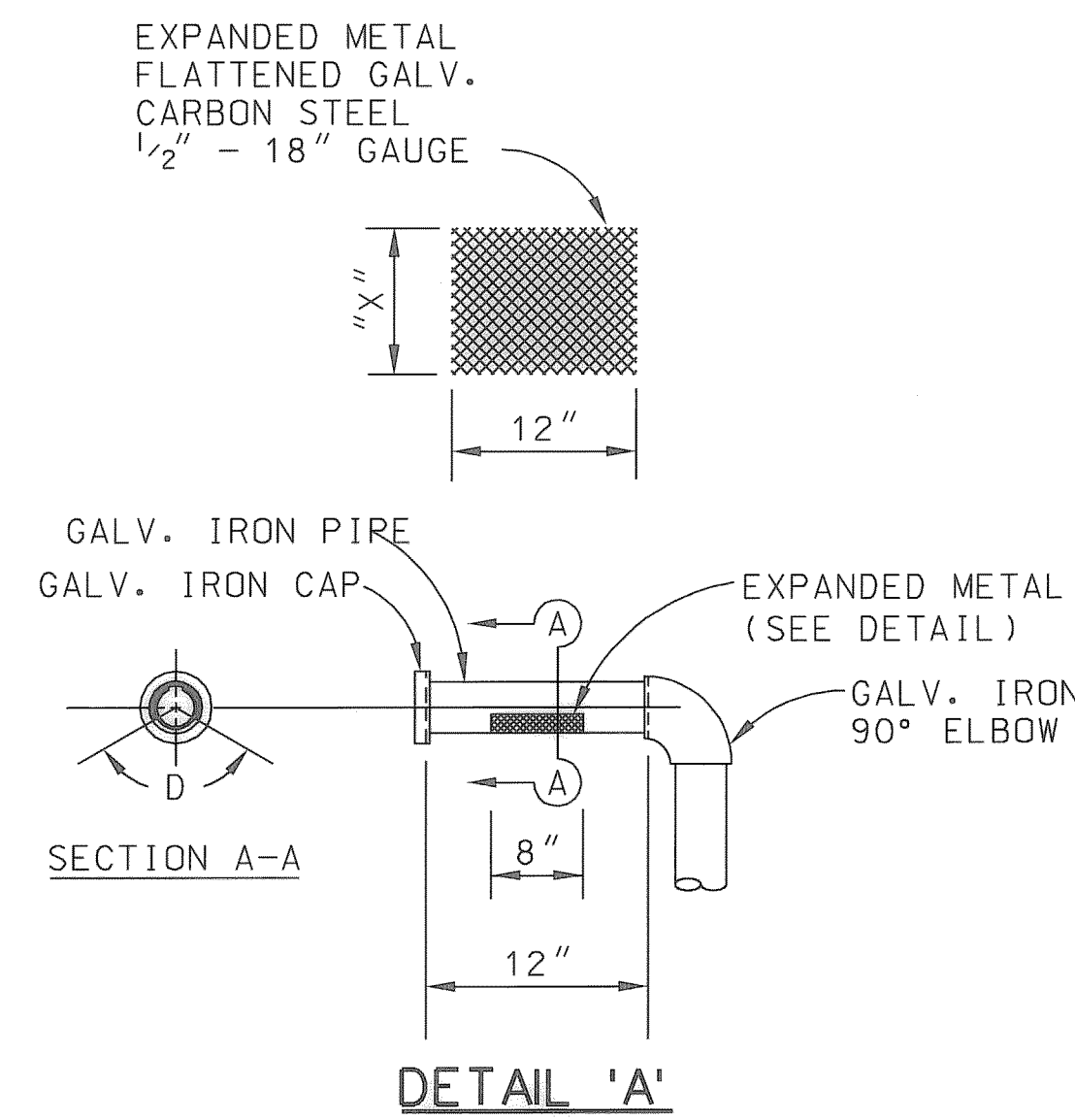
TYPICAL GATE VALVE AND BOX EXTENSION STEM DETAIL

Not To Scale



BUTTERFLY VALVE INSTALLATION AND EXTENSION STEM DETAIL

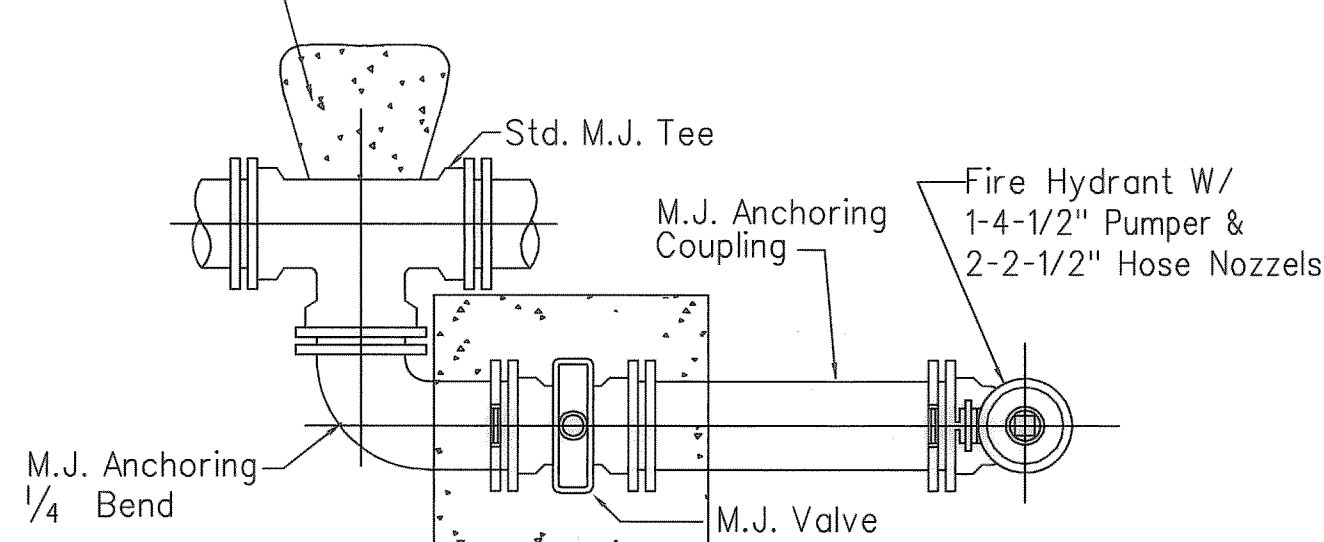
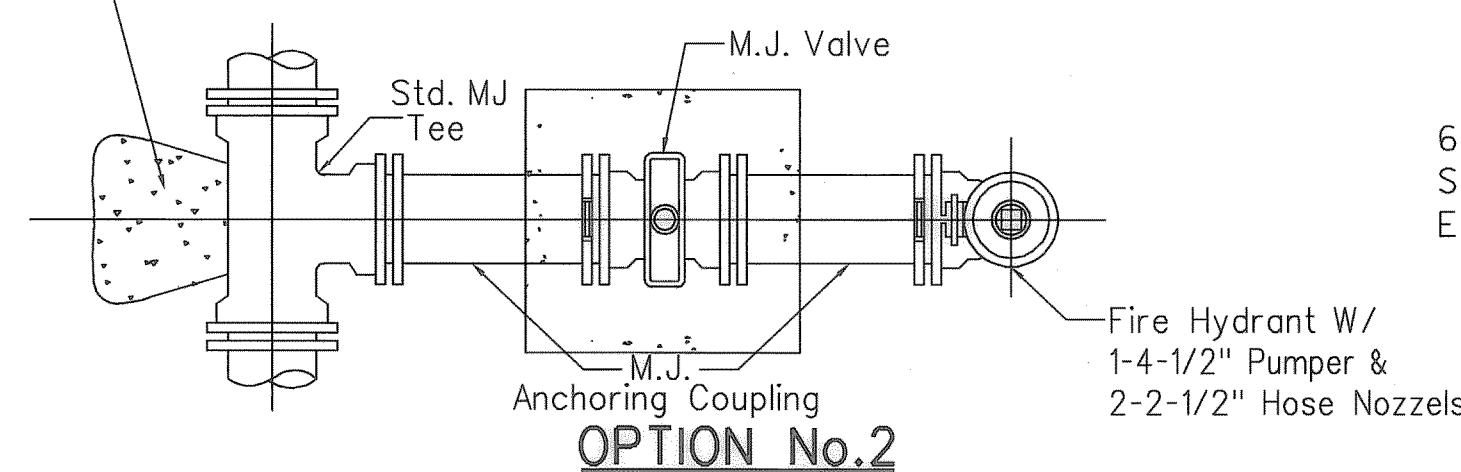
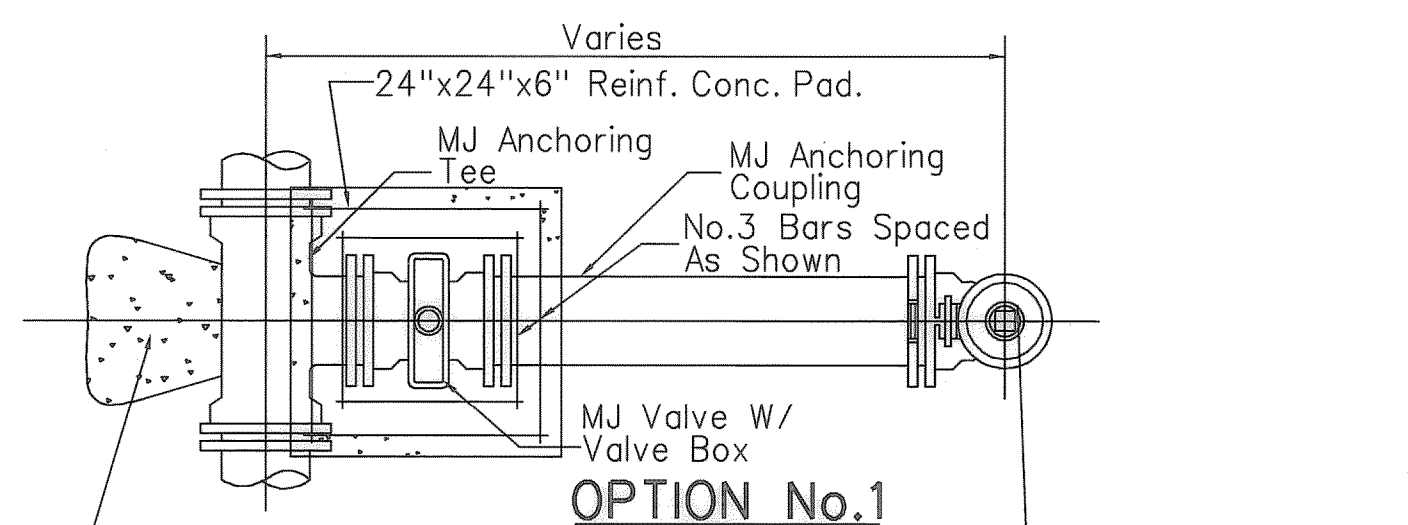
Not To Scale



TYPICAL FIRE HYDRANT INSTALLATION

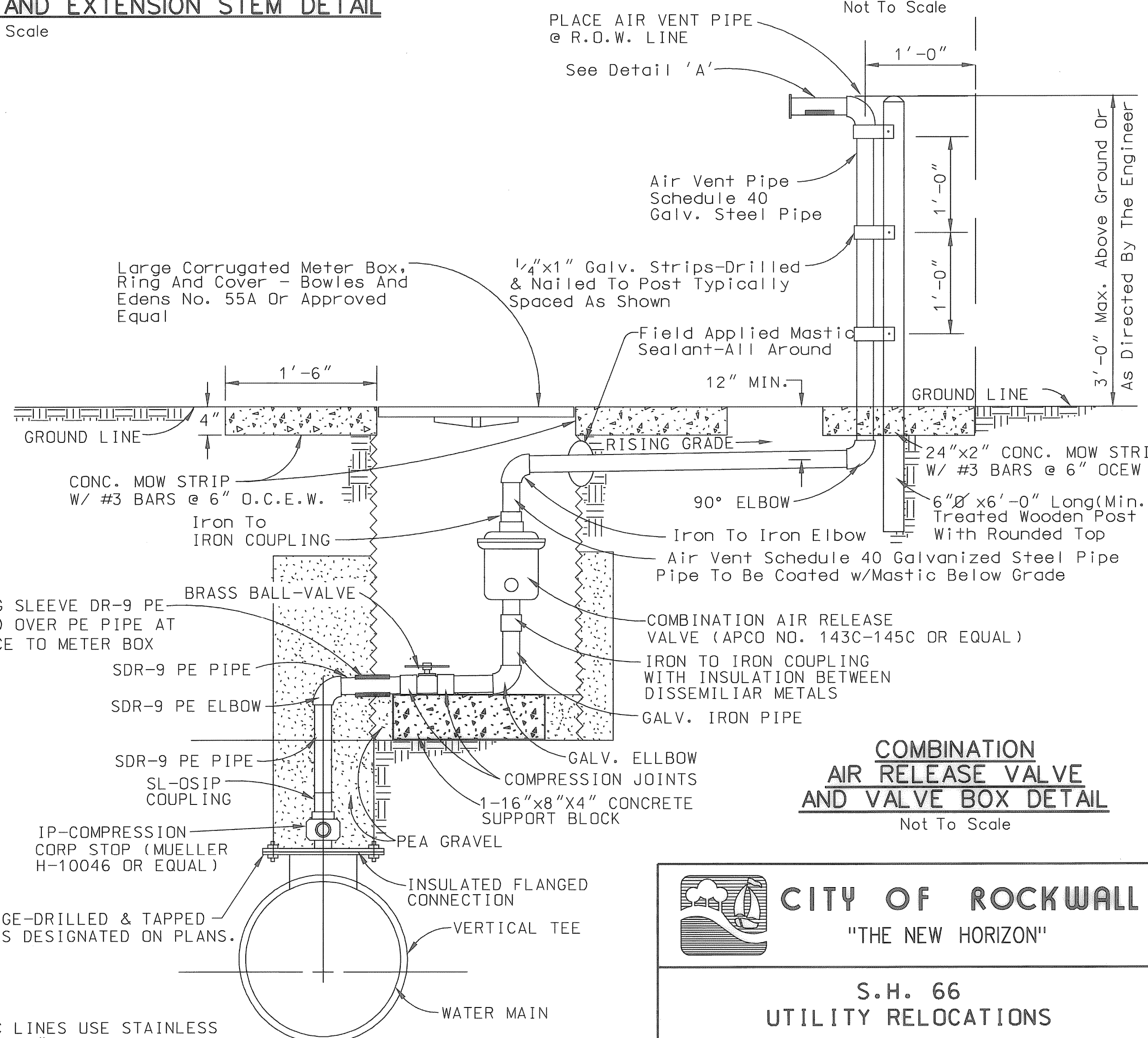
Not To Scale

NOTE: FIRE HYDRANT IS TO BE INSTALLED AT EXISTING GROUND LINE. VALVE BOX EXTENSIONS, OPERATING NUT EXTENSIONS, FIRE HYDRANT BARREL EXTENSIONS AND ANY OTHER APPURTENANCES REQUIRED TO INSTALL FIRE HYDRANT AT EXISTING GROUND LINE WILL BE AT NO EXTRA PAY ITEM.

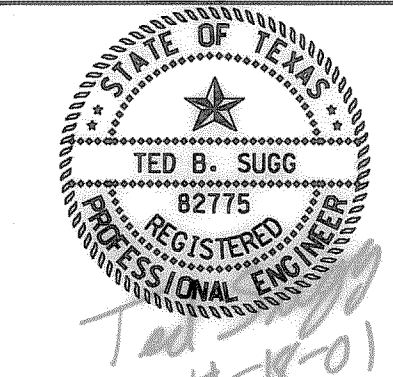


PLAN VIEW

Not To Scale



AIR VALVE	VALVE	FLG. OUTLET (W)	VENT PIPE	EXPANDED METAL (X)
1"	1"	8"	1"	3"
2"	2"	8"	2"	5"
3"	3"	12"	3"	8"
4"	4"	16"	4"	10"
6"	6"	18"	6"	16"
8"	8"	18"	8"	21"



CITY OF ROCKWALL
"THE NEW HORIZON"

S.H. 66
UTILITY RELOCATIONS

STANDARD WATER DETAILS

TurnerCollie & Braden Inc.
ENGINEERS • PLANNERS • PROJECT MANAGERS

Unit	A123	Scale	Horz. Vert.	N.T.S.	Date	APRIL, 2001
Designed	VVS	Checked	TBS	Job No.	15-98925-300	
Drawn	GBA	Approved	RCR			SHEET 16 OF 19

p:\rockwa\11\SH66\dr-awings\sh66-detail11.dgn