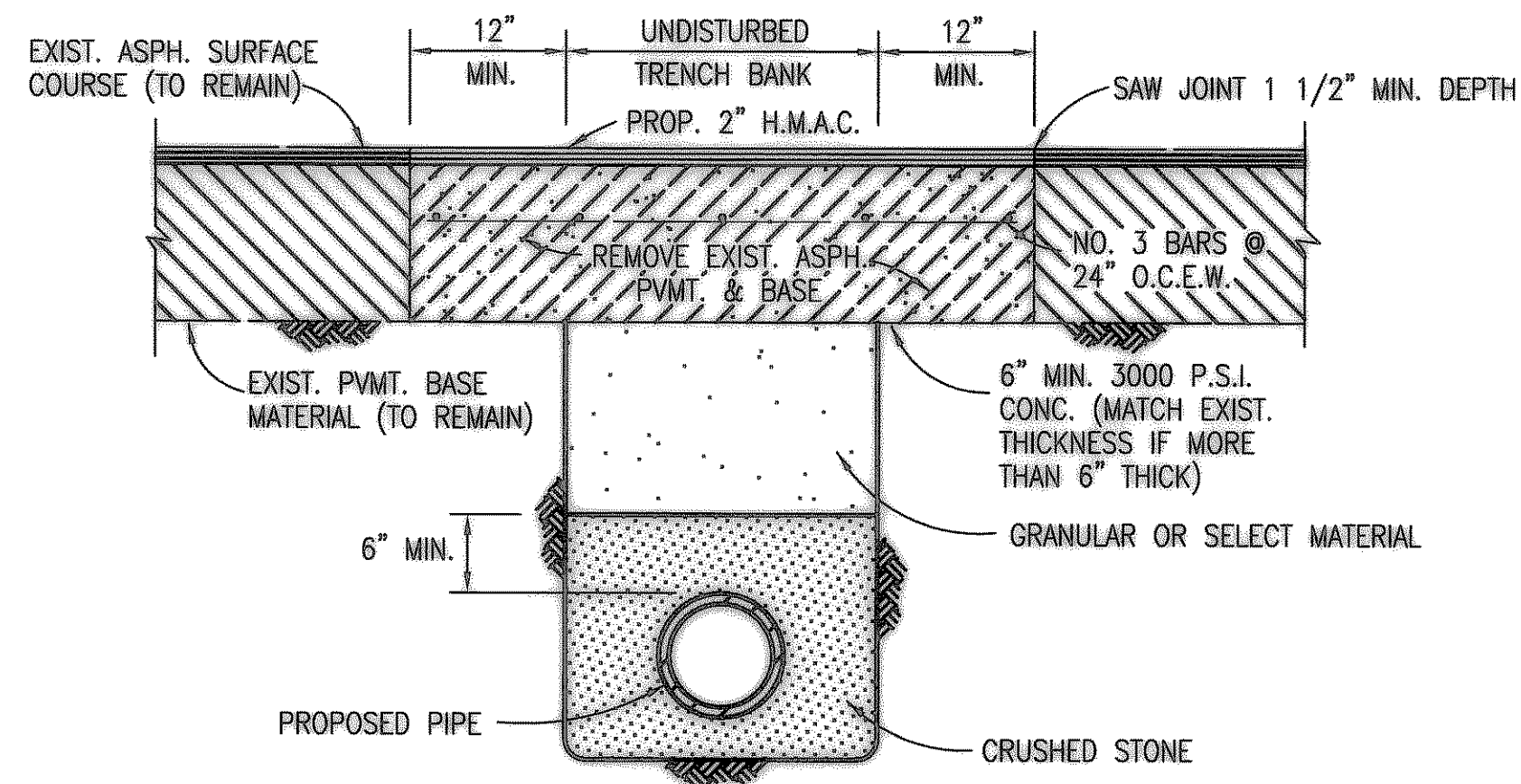
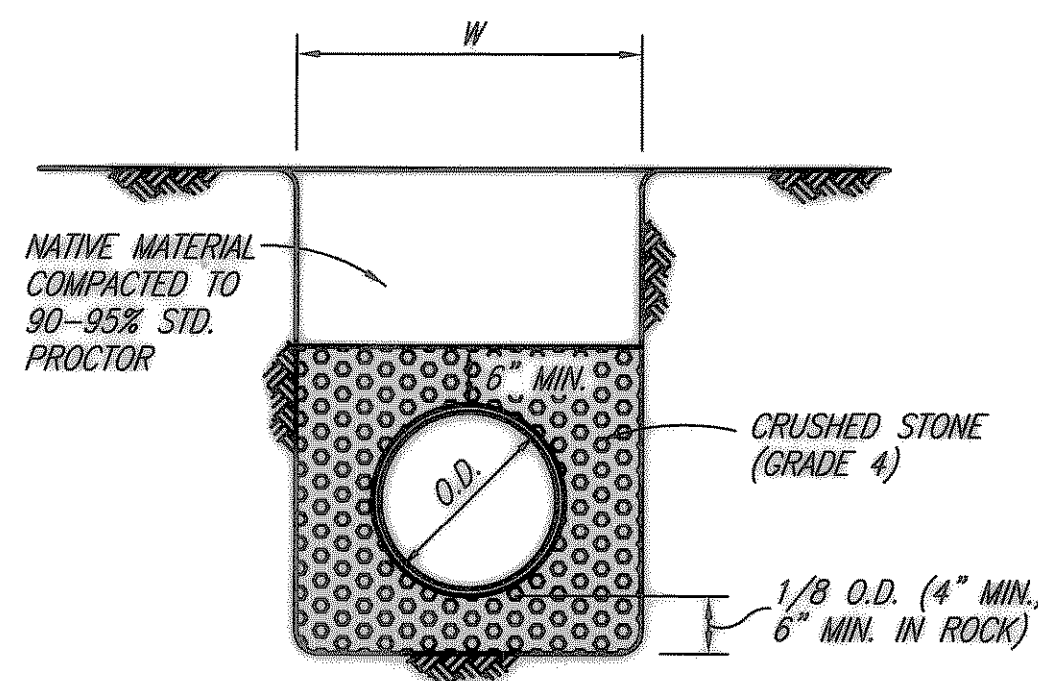


CONCRETE STREET REPAIR

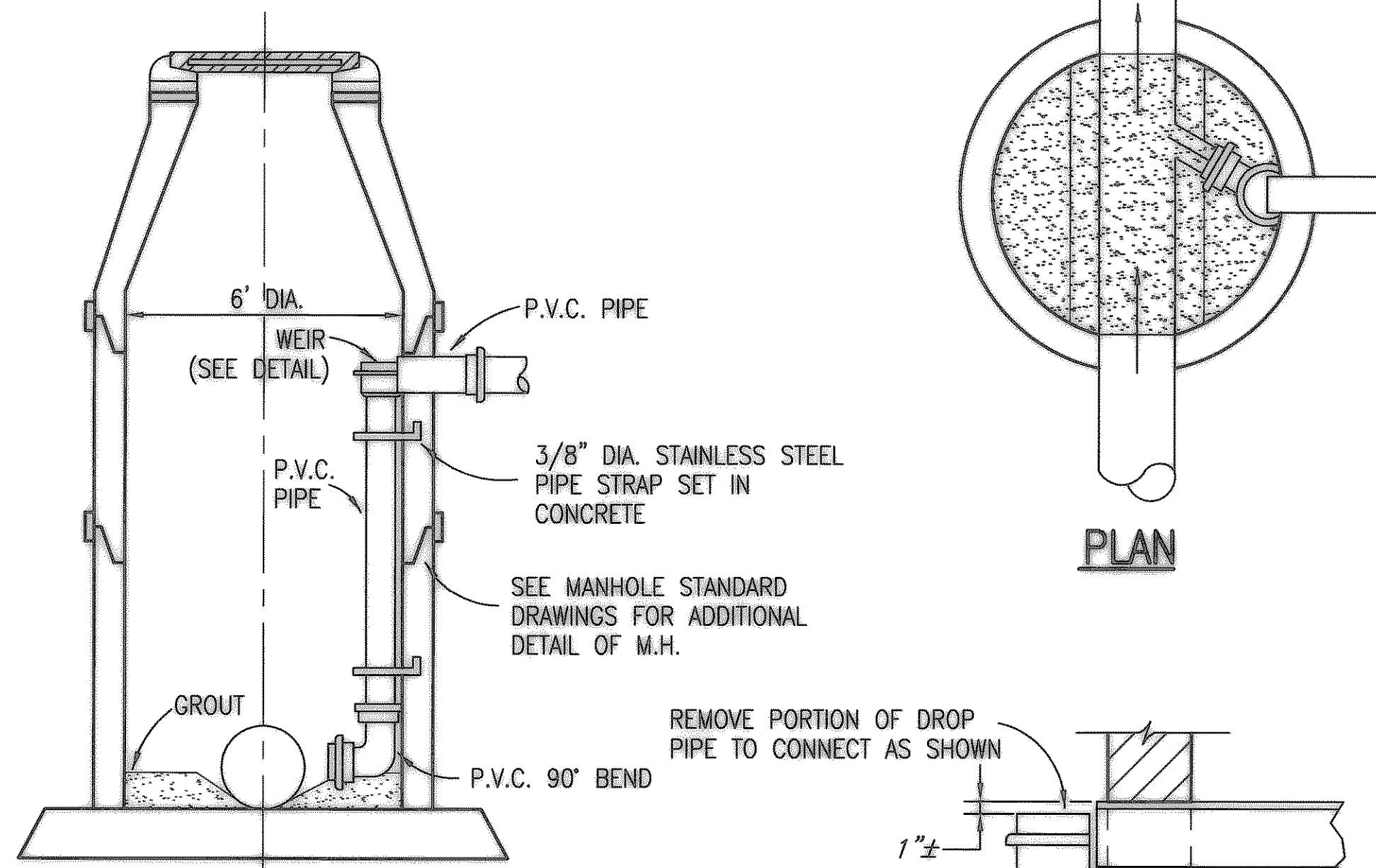


ASPHALT STREET REPAIR



CLASS H EMBEDMENT

P.V.C. PIPE



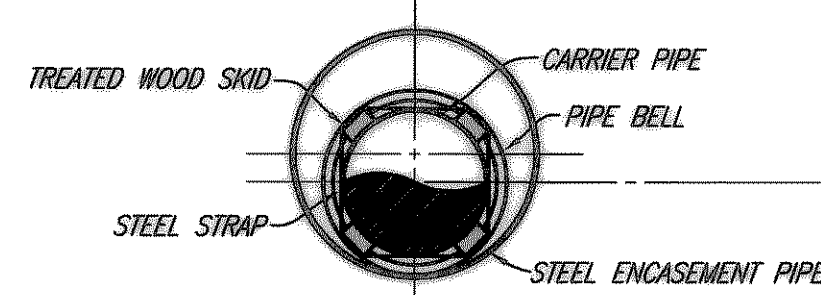
ELEVATION

WEIR DETAIL

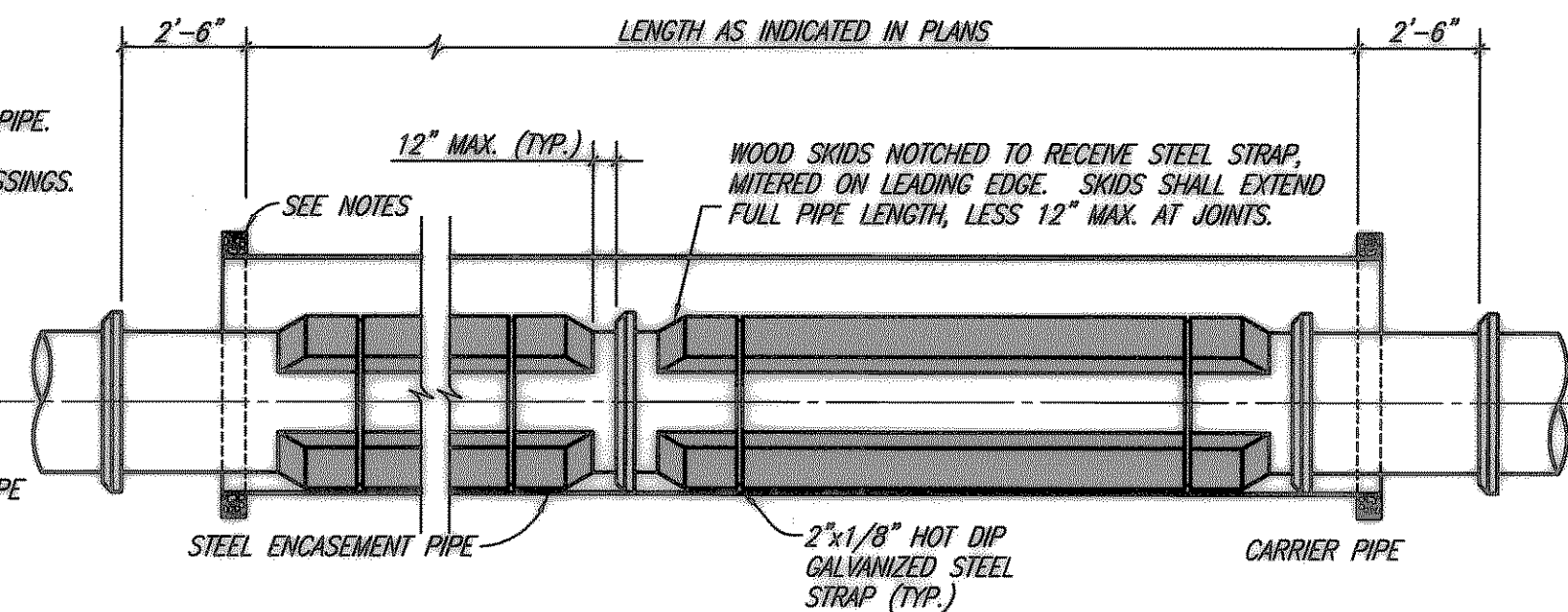
DROP MANHOLE (INSIDE DROP)

N.C.T.C.O.G. ITEM 6.7.2.(i)

- BORING NOTES:**
- 2" MORTAR BANDS FOR R.C.C.P. AND CEMENT LINED & COATED STEEL PIPE MAY BE USED IN LIEU OF SKIDS & STRAPS.
 - CONTRACTOR SHALL PROVIDE SUPPORT UNDER CARRIER PIPE TO HAVE MIN. 1" CLEARANCE BETWEEN PIPE BELL AND ENCASUREMENT PIPE.
 - ENDS OF ENCASUREMENT PIPE SHALL BE PLUGGED WITH BRICK AND MORTAR FOR ROADWAY CROSSINGS AND CLAY FOR RAILROAD CROSSINGS.



SECTION



ELEVATION

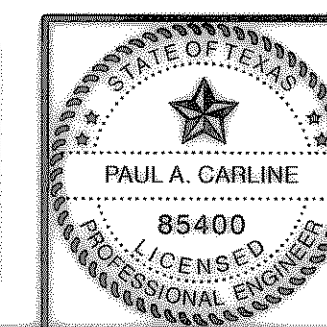
ENCASED ROAD OR RAILROAD BORE

NO SCALE

REVISED TO CONFORM TO CONSTRUCTION RECORDS BY P.A.C. DATE 05/16/2005

THESE DOCUMENTS ARE FOR BIDDING, CONSTRUCTION, AND PERMIT PURPOSES.

DATE: 5/10/02



SANITARY SEWER NOTE:

THE FOLLOWING SANITARY SEWER PIPE IS ACCEPTABLE FOR THIS PROJECT IN ACCORDANCE WITH THE ASSIGNED NCTCOG STANDARD SPECIFICATIONS.

POLYVINYL CHLORIDE (PVC):
* SDR-35 SANITARY SEWER PIPE

* ASTM F-789, TYPE PS-46, PLASTIC GRAVITY FLOW SEWER PIPE

* ASTM F-794, PROFILEGRAVITY SANITARY SEWER PIPE AND FITTINGS BASED ON CONTROLLED INSIDE DIAMETER, CLOSED PROFILE OR DUAL WALL CORRUGATED PROFILE. OPEN PROFILE PIPE IS NOT ACCEPTABLE ON THIS PROJECT.

* ASTM F-679, LARGE DIAMETER PLASTIC GRAVITY SANITARY SEWER PIPE AND FITTINGS.

* ASTM F-949, PVC CORRUGATED SANITARY SEWER PIPE WITH SMOOTH INTERIOR AND FITTINGS.

These plans and related specifications were prepared for construction of this specific project only. Reuse of these documents is not permitted without written authorization of Birkhoff, Hendricks, & Conway, L.L.P.

CITY OF ROCKWALL, TEXAS

STATE HIGHWAY NO. 205 SANITARY SEWER

MISCELLANEOUS DETAILS

BIRKHOFF, HENDRICKS & CONWAY, L.L.P.

CONSULTING ENGINEERS
Dallas, Texas

DESIGNED BY: P.A.C.	PROJECT: 2000171	SHEET NO. 12
DRAWN BY: J.P.O.	DATE: MAY, 2002	OF 12 SHEETS