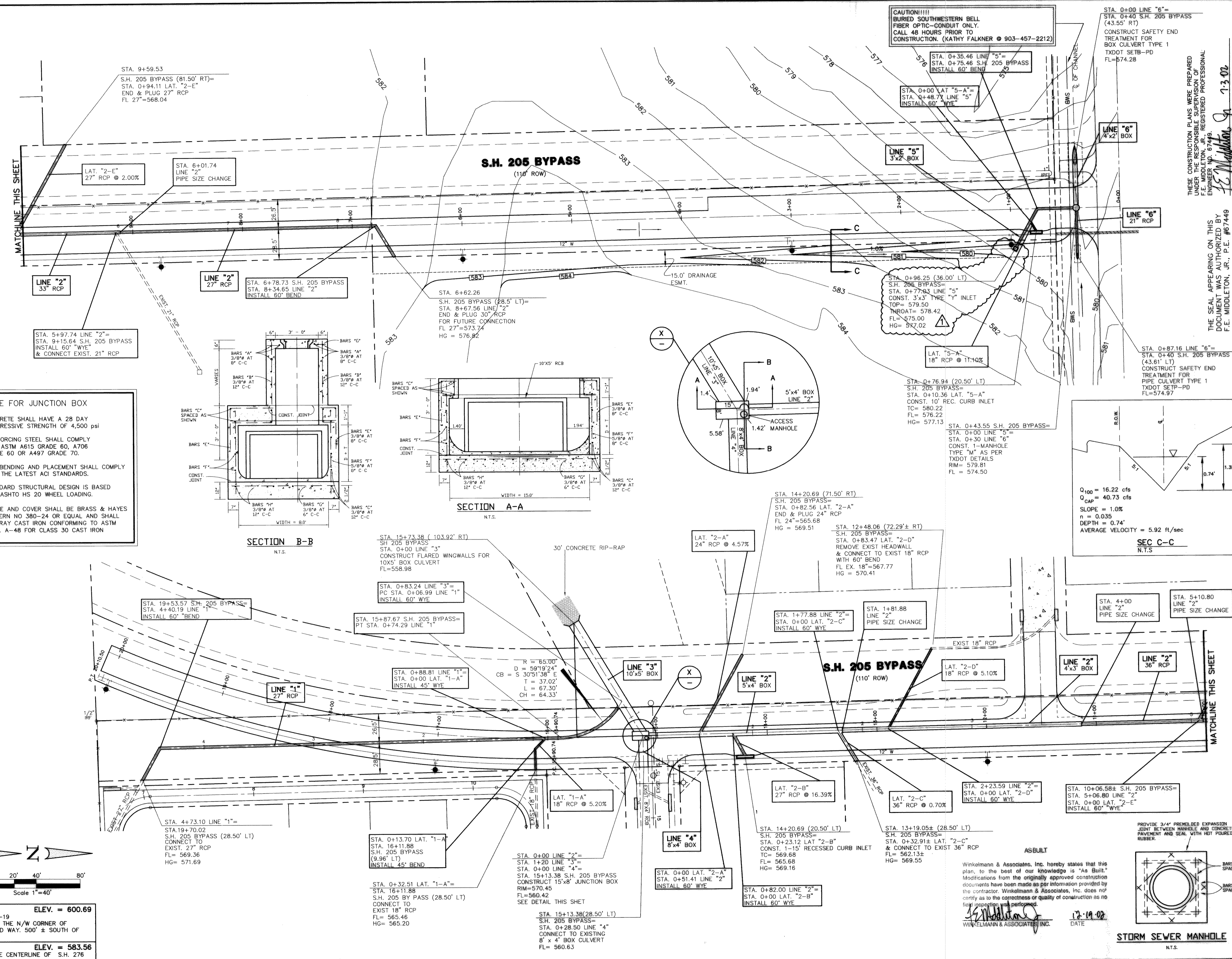


C:\WORK\32006\STW.dwg Wed Jul 03 13:45:14 2002 NK



**NOTE FOR JUNCTION BOX**

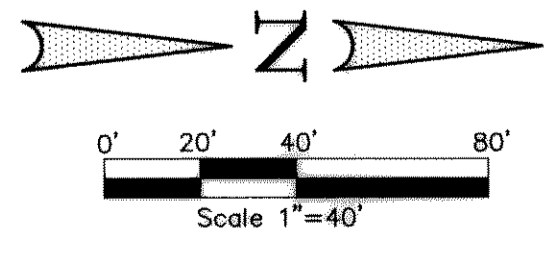
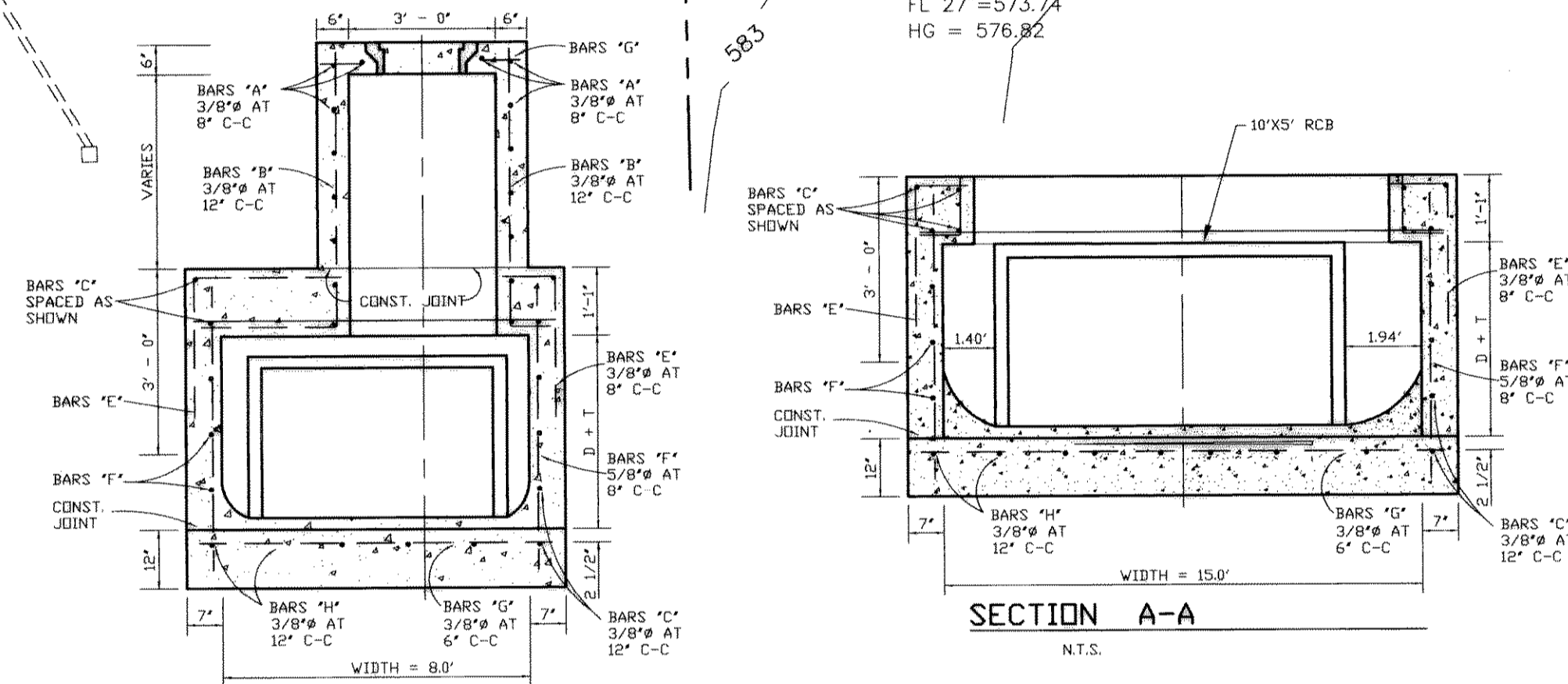
CONCRETE SHALL HAVE A 28 DAY COMPRESSIVE STRENGTH OF 4,500 psi

REINFORCING STEEL SHALL COMPLY WITH ASTM A615 GRADE 60, A706 GRADE 60 OR A497 GRADE 70.

BAR BENDING AND PLACEMENT SHALL COMPLY WITH THE LATEST ACI STANDARDS.

STANDARD STRUCTURAL DESIGN IS BASED ON AASHTO HS 20 WHEEL LOADING.

FRAME AND COVER SHALL BE BRASS & HAYES PATTERN NO 380-24 OR EQUAL AND SHALL BE GRAY CAST IRON CONFORMING TO ASTM SPEC. A-48 FOR CLASS 30 CAST IRON



**BENCHMARK:** ELEV. = 600.69  
CITY OF ROCKWALL R-19  
BRASS MONUMENT AT THE N/W CORNER OF  
SILVERVIEW & DIAMOND WAY, 500' ± SOUTH OF  
S.H. 276.

**BENCHMARK:** ELEV. = 583.56  
R.R. SPIKE SET IN THE CENTERLINE OF S.H. 276  
3600± WEST OF F.M. 549

APPROVED: [Signature]

REVISION: [Table]

NO. DATE

DATE: 07-03-02

CHANGE OF 2'X2' TO 3'X3' TYPE "Y" INLET

Winkelman & Associates, Inc.  
CONSULTING CIVIL ENGINEERS & SURVEYORS  
6200 Hillcrest Plaza, Suite 100  
Rockwall, Texas 75087  
(972) 466-7000  
www.winkelman.com

THESE CONSTRUCTION PLANS WERE PREPARED UNDER THE RESPONSIBLE SUPERVISION OF F.E. MIDDLETON, JR., REGISTERED PROFESSIONAL ENGINEER NO. 67449.

THE SEAL APPEARING ON THIS DOCUMENT WAS AUTHORIZED BY F.E. MIDDLETON, JR., P.E. #67449

W.H. BAIRD SURVEY, ABSTRACT NO. 25  
CITY OF ROCKWALL, TEXAS  
CONTINENTAL HOMES  
621 WEST COLLEGE STREET  
GRAPEVINE, TEXAS, 76051

**STATE HIGHWAY 205 BYPASS  
STORM SEWER PLAN**

Scale: 1"=40' Date: 5-14-02

Designed By: RB  
Drawn By: NK  
Checked By: FEM  
File: 32006STW.dwg View: Project No.: 32006.01

Winkelman & Associates, Inc. hereby states that this plan, to the best of our knowledge is "As Built." Modifications from the originally approved construction documents have been made as per information provided by the contractor. Winkelman & Associates, Inc. does not certify as to the correctness or quality of construction as no final inspection was performed.

DATE: 7-19-02

AS BUILT

WINKELMANN & ASSOCIATES, INC.

**SHEET 7 OF 12**