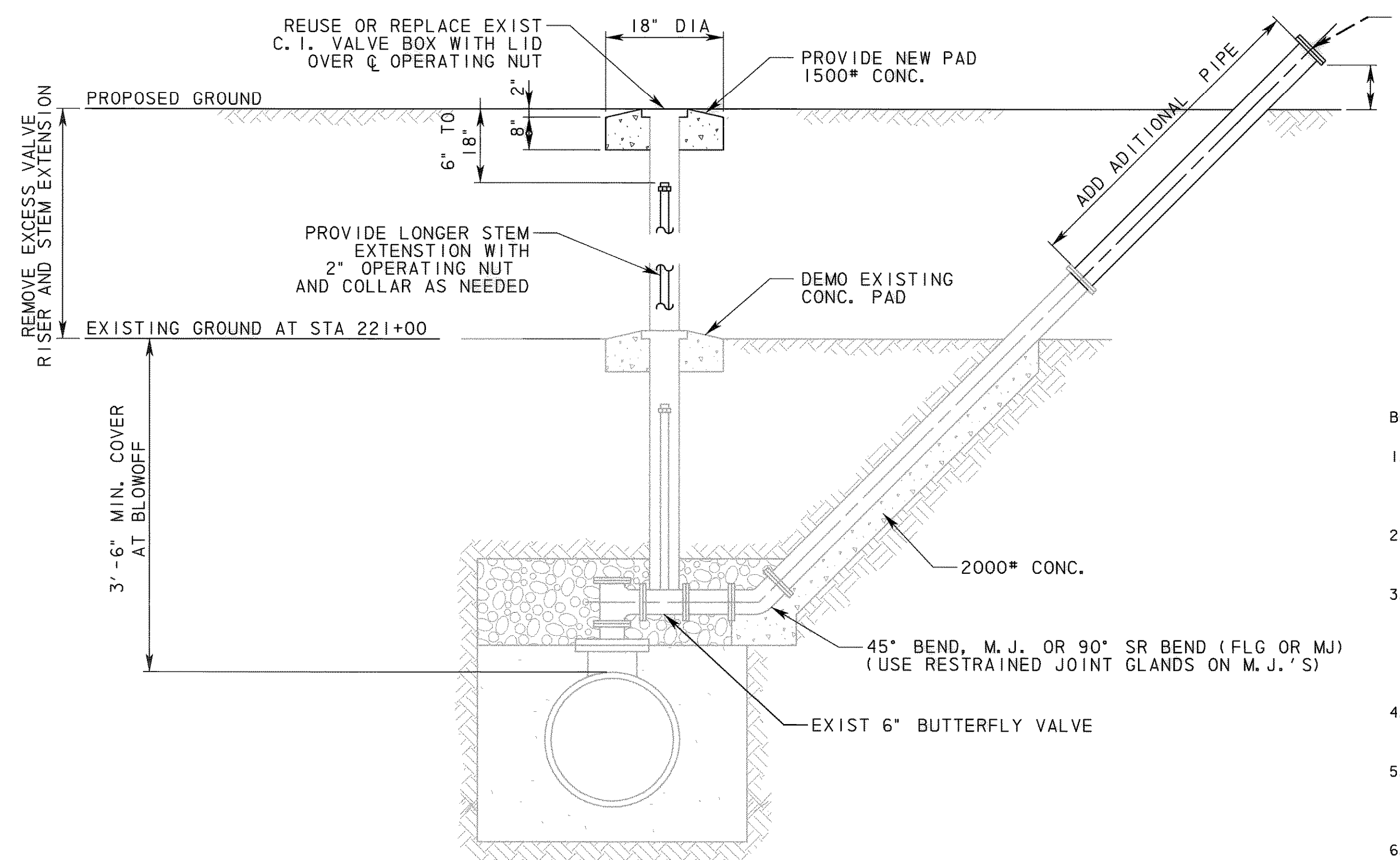


ENLARGED PLAN C

- NTMWD NOTES:
1. NORTH TEXAS MUNICIPAL WATER DISTRICT (NTMWD) 30-INCH WATER TRANSMISSION PIPELINE IS LOCATED WITHIN THE LIMITS OF CONSTRUCTION.
 2. OPERATION OF HEAVY EARTH MOVING EQUIPMENT, COMPACTION EQUIPMENT OR HEAVY CONSTRUCTION EQUIPMENT, SUCH AS CONCRETE TRUCKS, SHALL BE RESTRICTED TO SPECIFIC CROSSING POINTS ACROSS NTMWD EASEMENTS. CONTRACTOR SHALL DESIGNATE A CROSSING LOCATION AND SUBMIT TO NTMWD FOR APPROVAL. LOCATION MUST HAVE A MINIMUM OF 5-FT OF COVER AS FIELD VERIFIED BY THE CONTRACTOR.
 3. NO MATERIALS SHALL BE STOCKPILED ON THE NTMWD EASEMENT WITHOUT AUTHORIZATION FROM THE NTMWD. IF THE CONTRACTOR DESIRES TO USE NTMWD'S EASEMENT FOR STOCKPILE OF MATERIALS, CONTACT NTMWD ENGINEERING AT 972-442-4505.
 4. CROSSING OF THE NTMWD EASEMENT WITH OTHER UTILITIES, SUCH AS TV CABLE, PHONE, GAS, AND ELECTRIC, SHALL BE COORDINATED WITH THE NTMWD TO AVOID DAMAGE TO THE NTMWD FACILITIES.
 5. OUTDOOR LIGHTING, LANDSCAPING, SCREENING WALLS OR OTHER FACILITIES SHALL NOT BE INSTALLED IN NTMWD EASEMENTS WITHOUT WRITTEN APPROVAL OF THE NTMWD.
 6. UNLESS OTHERWISE SHOWN OR REQUIRED, A MINIMUM OF ONE-FOOT CLEARANCE SHALL BE PROVIDED FOR ALL UTILITIES CROSSING THE NTMWD PIPELINES.
 7. WATER AND SEWER LINES CROSSING THE NTMWD EASEMENT SHALL BE INSTALLED IN COMPLIANCE WITH THE RULES AND REGULATIONS FOR PUBLIC WATER SYSTEMS PARAGRAPH 290.44(E).
 8. A MINIMUM OF 3.5 FEET CLEARANCE IS REQUIRED BETWEEN BOTTOM OF SUBGRADE AND TOP OF NTMWD PIPELINE. THE DISTRICT REQUESTS THE LOCATION OF THE WATERLINE BE FIELD VERIFIED AT ALL PROPOSED PAVING AND UTILITY CROSSING DURING THE DESIGN PHASE AND ACCURATELY SHOWN IN PLAN AND PROFILE ON THE APPROPRIATE SHEETS. PLEASE CONTACT THE NTMWD ENGINEERING DEPARTMENT SO THAT A DISTRICT REPRESENTATIVE CAN BE PRESENT DURING EXCAVATION TO LOCATE AND VERIFY NTMWD FACILITIES.
 9. NO STRUCTURES, SUCH AS INLETS, MANHOLES, HEADWALLS, RETAINING WALLS, ETC, ARE PERMITTED WITHIN NTMWD'S EASEMENT.
 10. PROPOSED UTILITIES ARE PERMITTED WITHIN EASEMENT ONLY IF CROSSING AT AN ANGLE GREATER THAN 45 DEGREES, OR LESS THAN OR EQUAL TO 90 DEGREES.

UNDERGROUND UTILITIES

THE LOCATION OF EXISTING UTILITIES SHOWN ON THESE PLANS ARE APPROXIMATE AND BASED ON DATA FURNISHED BY THE CITY OF FRISCO. IT IS THE RESPONSIBILITY OF THE CONTRACTOR TO LOCATE AND VERIFY ON-SITE THE UTILITIES THAT MAY CONFLICT WITH THE CONSTRUCTION.



BLOWOFF VALVE ADJUSTMENT
NOT TO SCALE

- BLOWOFF ADJUSTMENT NOTES:
1. ALL 4-INCH AND 6-INCH PIPE AND FITTINGS SHALL MEET AWWA C110 FOR DIP CLASS 50 WITH FLANGED JOINTS.
 2. COAT BOLTS AND NUTS WITH KOPPERS BITUMASTIC NO. 50.
 3. BLOWOFF SHALL DRAIN AWAY FROM MAIN LINE TO EXISTING DRAINAGE WAY. BLOW OFF ASSEMBLY SHALL BE LOCATED INSIDE PERMANENT EASEMENT FOR NTMWD WATERLINE.
 4. REPLACE PIPE POLYWRAP WHERE DAMAGED OR MISSING.
 5. REPLACE BLOWOFF PIPE FROM BEND TO MJ CAP IF NEEDED TO INSURE SEAL AT CAP.
 6. FIELD VERIFY BLOWOFF PIPE DIAMETER FOR ROCKWALL 20-INCH WATERLINE.

RECORD DRAWING

This drawing is a compilation of the original sealed engineering drawing and modifications by addenda, change orders and information furnished by the contractor. Information shown that was provided by the contractor and others not associated with the design engineer cannot be verified for accuracy or completeness. Original sealed drawing is on file at the office of AECOM USA Group, Inc., TBPE REG. NO. F-3082

ORIGINAL DRAWING SEALED & SIGNED BY

John W. Lacy, P.E.
TX NO. 90202

NO.	REVISION	BY	DATE

5 OF 6

City of Rockwall, Texas

205 BYPASS SECTION 1

UTILITIES LAYOUT

TCB | AECOM

TCB INC. WWW.TCB.AECOM.COM
17300 DALLAS PARKWAY, SUITE 1010
DALLAS, TEXAS 75248

Unit: PW-DAL-FW	Scale: Horiz: AS SHOWN Vert: AS SHOWN	Date: 11/11/2009
Designed: SRR/SDB	Checked: TCB	Project No: 60004153
Drawn: FG	Approved: TCB	Sheet: 107 of 217

P:\4228\60004153-205Bypass\CADD\Sheets\sect1\1-140-00-To-FR552\Record Drawing 10_7_09\107Ex181.rvt\11111111.dgn