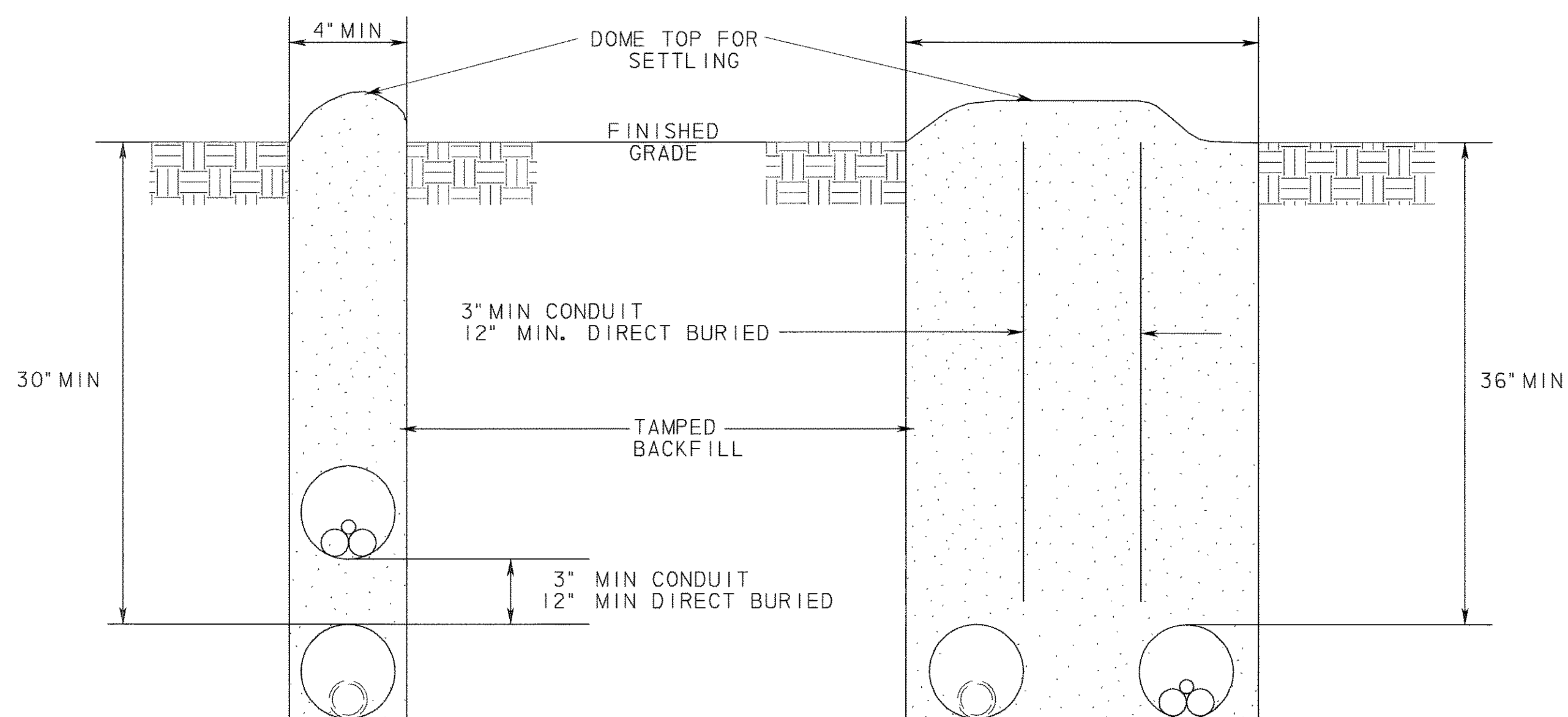


1 PRIMARY CONDUIT

2 PRIMARY CONDUIT



1 PRIMARY CONDUIT AND
1 SECONDARY CONDUIT
VERTICALLY ARRANGED

1 PRIMARY CONDUIT AND
1 SECONDARY CONDUIT
HORIZONTALLY ARRANGED

NOTES:

- TRENCH ALIGNMENT SHALL BE AS STRAIGHT AS CONDITION PERMITS. ANY DEVIATION FROM PLAN ALIGNMENT SHALL HAVE PRIOR APPROVAL BY THE PROJECT ENGINEER/INSPECTOR. ALL TRENCH CUT SHALL BE IN ACCORDANCE WITH EXISTING SAFETY REGULATION IN EFFECT.
- TRENCH BOTTOM SHOULD BE UNDISTURBED, TAMPED, OR RELATIVELY SMOOTH EARTH. WHERE EXCAVATION IS IN ROCK, THE CONDUIT SHOULD BE LAID ON A LAYER OF CLEAN BACKFILL.
- ALL BACKFILL SHOULD BE FREE OF DEBRIS OR OTHER MATERIAL THAT MAY DAMAGED THE CONDUIT SYSTEM OR CAUSE SETTLING. THE MATERIAL SHOULD FILL THE VOIDS AROUND THE CONDUIT TO PREVENT HOT SPOTS & SETTLING.
- BACKFILL SHOULD BE ADEQUATELY COMPACTED. BACKFILL NOT UNDER PAVEMENT SHOULD BE COMPACTED TO THE DENSITY OF THE SURROUNDING UNDISTURBED SOIL. BACKFILL UNDER PAVEMENT SHOULD BE COMPACTED TO NOT LESS THAN 95% DENSITY OF THE UNDISTURBED SOIL AS DETERMINED BY ASTM DESIGNATION D-698.
- EACH CONDUIT RUNS SHALL BE CHECKED BY PULLING A MANDREL THROUGH THE ENTIRE LENGTH. AN APPROVED PULL TAPE SHALL BE LEFT IN EACH CONDUIT. CONDUIT SHALL BE PLUGGED AT BOTH ENDS.

APPROVED PULL TAPES

CONDUIT SIZE	MANUFACTURER	CATALOG NO.
1", 2", 3" & 4"	ARNCO NEPTCO, INC.	BLWP25 WP2500P
6"	ARNCO NEPTCO, INC	BL WP60 RP6000N

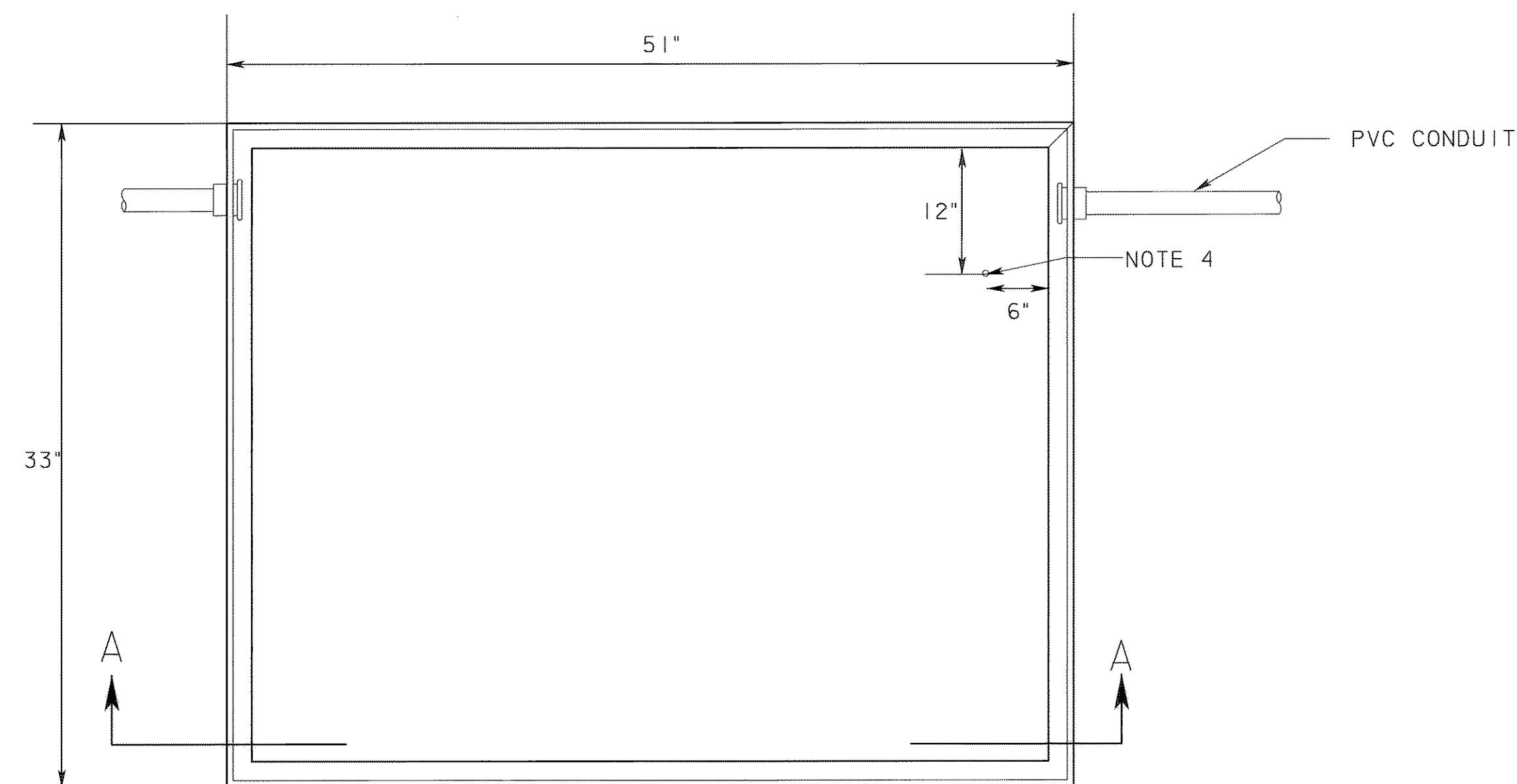
6) CONTACT TXU REPRESENTATIVE FOR TRENCH DIMENSIONS FOR MORE THAN 2 CONDUITS IN SAME DITCH.

7) ALL CONDUITS AND BENDS SHALL BE SCHEDULE 40 AND SHALL BE ELECTRICAL GRADE. ALL PVC CONDUITS AND BENDS SHALL BE 2" DIAMETER AND GRAY IN COLOR.

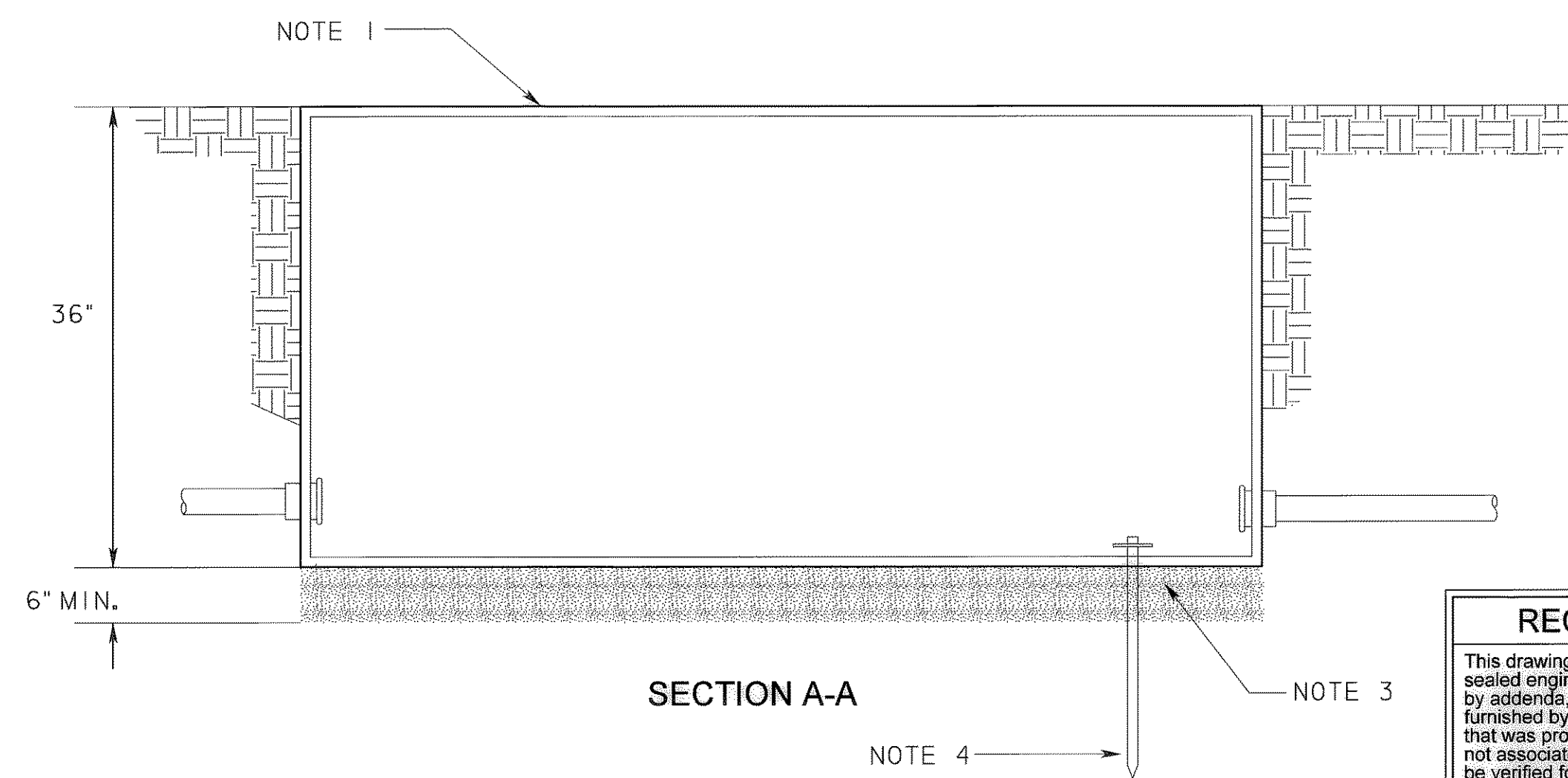
DETAILS FROM TXU ELECTRICAL DELIVERY SPECIFICATION FOR UNDERGROUND DISTRIBUTION SYSTEM FROM PADMOUNTED TRANSFORMATION, SECONDARY SERVICE ACCOUNTS. (SPECIFICATION DDS-4 UG REVISION 9, OCTOBER 2006)

UTILITY TRENCH DETAIL

N.T.S



TOP VIEW



SECTION A-A

RECORD DRAWING
This drawing is a compilation of the original sealed engineering drawing and modifications by addenda, change orders and information furnished by the contractor. Information shown that was provided by the contractor and others not associated with the design engineer cannot be verified for accuracy or completeness. Original sealed drawing is on file at the office of AECOM USA Group, Inc., TBPE REG. NO. F-3082

ORIGINAL DRAWING
SEALED & SIGNED BY
Matthew L. Abbe, P.E.
TX NO. 92715

NOTES:

- 30" X 48" X 36" SPLICE/PULL BOX DESIGNED FOR PARKWAY INSTALLATION WITH H10 LOADING (LIGHT TRAFFIC). CONTACT TXU REPRESENTATIVE ON WHERE TO ACQUIRE SUBSURFACE SPLICE/PULL BOX.
- THIS BOX IS INTENDED FOR USE AS AN INTERMEDIATE SPLICE BOX AS NEEDED DUE TO LONG PULLING DISTANCES AND RESTRICTION TO SINGLE #1/0 CABLES.
- TAMP ALL DISTURBED SOIL UNDERNEATH PAD TO 95% COMPACTION AS PER ASTM D 698 AND INSTALL A 6 INCH WELL TAMPED LAYER OF GAVEL FILL.
- CONTACT TXU ON WHERE TO ACQUIRE 5/8" X 8" COPPER CLAD GROUND ROD. GROUND ROD TO BE OBTAINED AND INSTALL BY CONTRACTOR. INSTALLATION DEPTH SHALL BE 7'-6".

DETAILS FROM TXU ELECTRICAL DELIVERY SPECIFICATION FOR UNDERGROUND DISTRIBUTION SYSTEM FROM PADMOUNTED TRANSFORMATION, SECONDARY SERVICE ACCOUNTS. (SPECIFICATION DDS-4 UG REVISION 9, OCTOBER 2006)

SINGLE PHASE PRIMARY

SUBSURFACE SPLICE/PULL BOX INSTALLATION

N.T.S

NO.	REVISION	BY	DATE

2 OF 2

City of Rockwall, Texas

**205 BYPASS
SECTION 1**

**MISCELLANEOUS UTILITY DETAIL
(CONDUIT)**

TCB | AECOM

TCB INC.
WWW.TCB.AECOM.COM
17300 DALLAS PARKWAY, SUITE 1010
DALLAS, TEXAS 75248

Unit	PW-DAL-FW	Scale	Horz: AS SHOWN Vert: AS SHOWN	Date	11/11/2009
Designed	SKW/MLA	Checked	TCB	Project No.	60004153
Drawn	TCB	Approved	TCB	Sheet	194 of 217