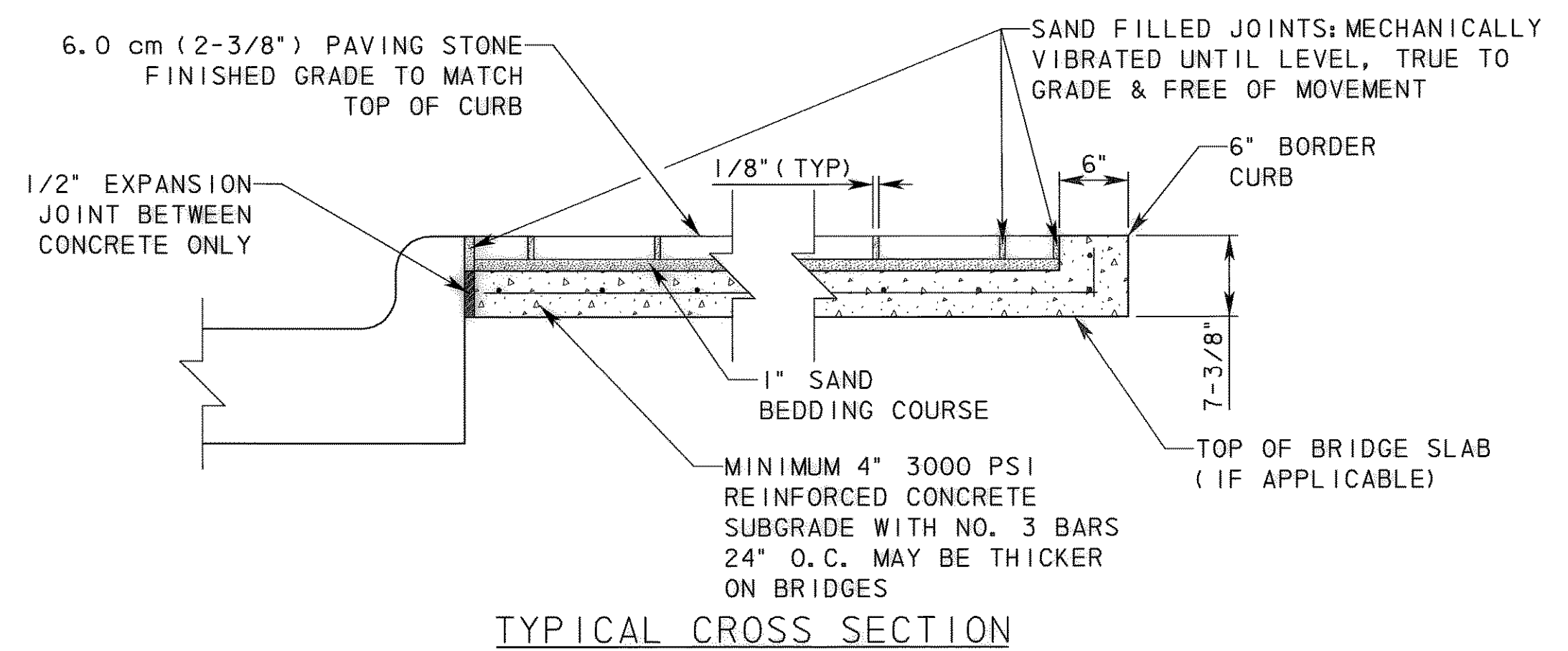


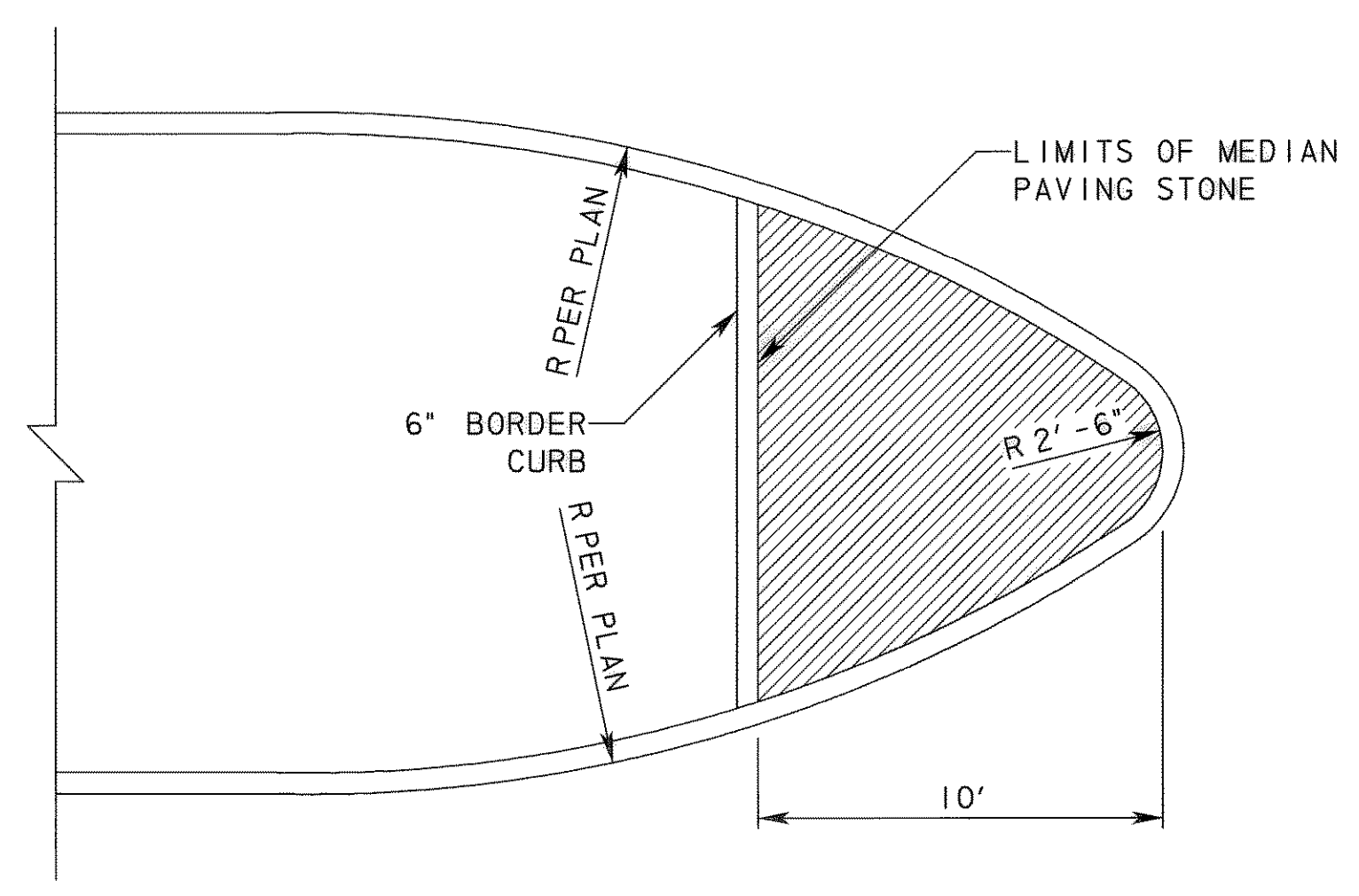
F:\4228\60004153-205Bypass\CADD\Sheets\Section1\140-00-To-FM52\Record Drawing 10\_7\_09\151A1A1.dwg 11/11/2009



TYPICAL CROSS SECTION

**MEDIAN PAVING STONE DETAIL**

PAVING STONE SHALL BE INTERLOCKING CONCRETE LANDSCAPE PAVERS PER TxDOT SPECIFICATIONS ITEM 528. COLOR AND PATTERN TO BE SELECTED BY OWNER.




DETAIL OF NOSE FOR MEDIAN ISLAND

**RECORD DRAWING**  
 This drawing is a compilation of the original sealed engineering drawing and modifications by addenda, change orders and information furnished by the contractor. Information shown that was provided by the contractor and others not associated with the design engineer cannot be verified for accuracy or completeness. Original sealed drawing is on file at the office of AECOM USA Group, Inc., TBPE REG. NO. F-3082

ORIGINAL DRAWING SEALED & SIGNED BY  
 T. H. Gaertner, P.E.  
 TX NO. 37124

NO.	REVISION	BY	DATE

 **City of Rockwall, Texas**

**205 BYPASS SECTION 1**

**MEDIAN PAVING STONE DETAILS** 1 OF 1

TCB | AECOM  
TCB INC. WWW.TCB.AECOM.COM  
 17300 DALLAS PARKWAY, SUITE 1010  
 DALLAS, TEXAS 75248

Unit	PW-DAL-FW	Scale:	Horz: AS SHOWN Vert: AS SHOWN	Date	11/11/2009
Designed	THG	Checked	TCB	Project No.	60004153
Drawn	FG	Approved	TCB	Sheet	151A of 217