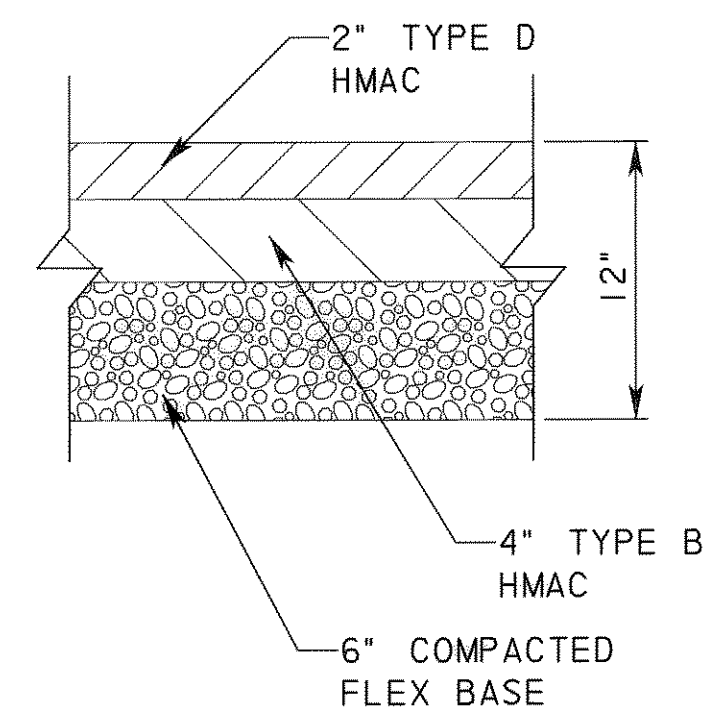
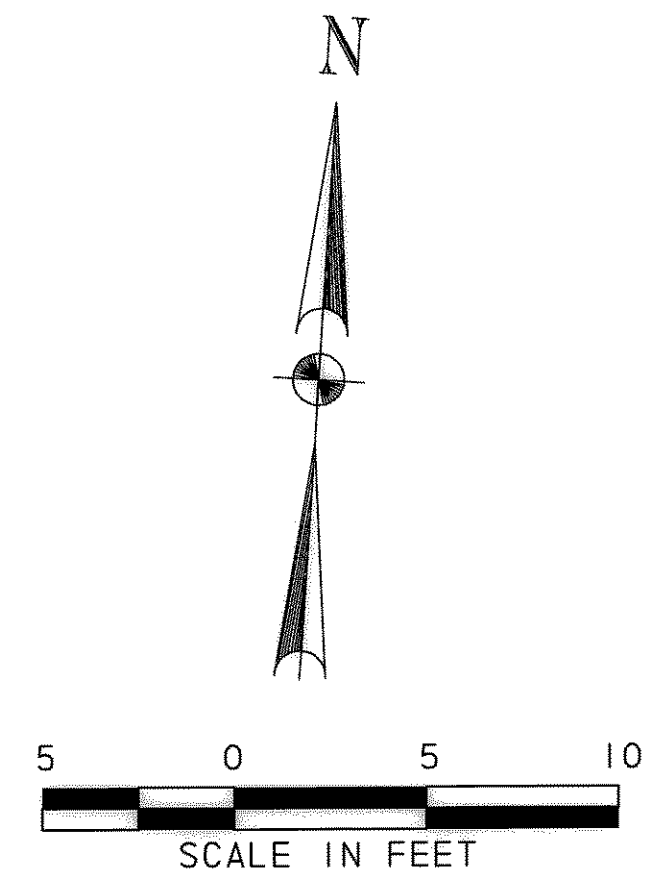
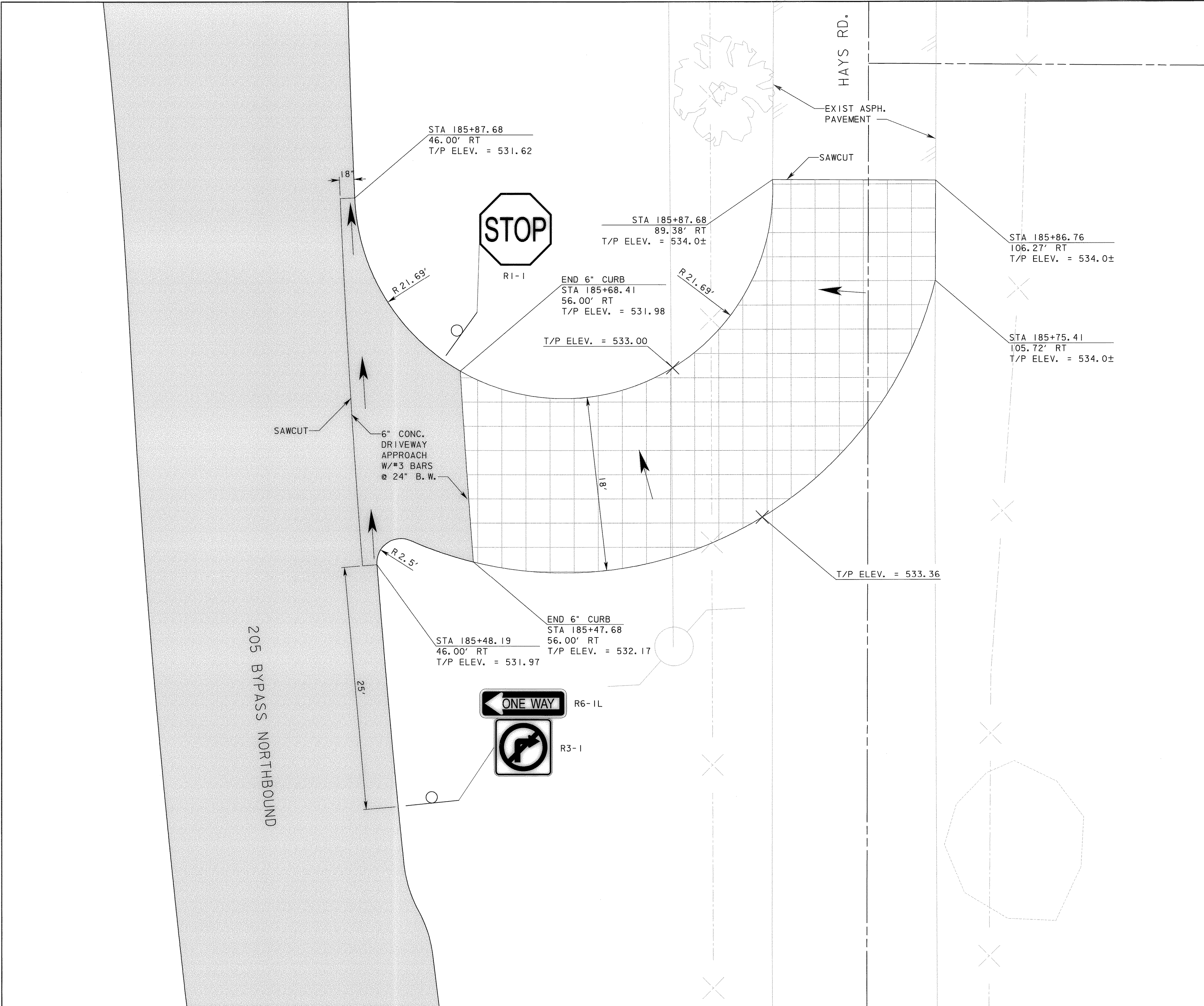


F:\4328\60004153-205Bypass\CADD\Sheets\Sheet1-140-00-Top-FM52\Record Drawing 10\_1\_09\0654haysroadexit1.r.dgn  
 11/17/2009




PAVEMENT SECTION  
N. T. S.

**RECORD DRAWING**  
 This drawing is a compilation of the original sealed engineering drawing and modifications by addenda, change orders and information furnished by the contractor. Information shown that was provided by the contractor and others not associated with the design engineer cannot be verified for accuracy or completeness. Original sealed drawing is on file at the office of AECOM USA Group, Inc., TBPE REG. NO. F-3082

ORIGINAL DRAWING  
 SEALED & SIGNED BY  
 T.H. Gaertner, P.E.  
 TX NO. 37124

NO.	REVISION	BY	DATE


**City of Rockwall, Texas**  
**205 BYPASS SECTION 1**  
**HAYS ROAD EXIT**

TCB   AECOM		TCB INC. WWW.TCB.AECOM.COM 17300 DALLAS PARKWAY, SUITE 1010 DALLAS, TEXAS 75248	
Unit: PW-DAL-FW	Scale: Horiz: AS SHOWN Vert: AS SHOWN	Date: 11/11/2009	
Designed: THG	Checked: TCB	Project No: 60004153	
Drawn: FG	Approved: TCB	Sheet: 65A of 217	