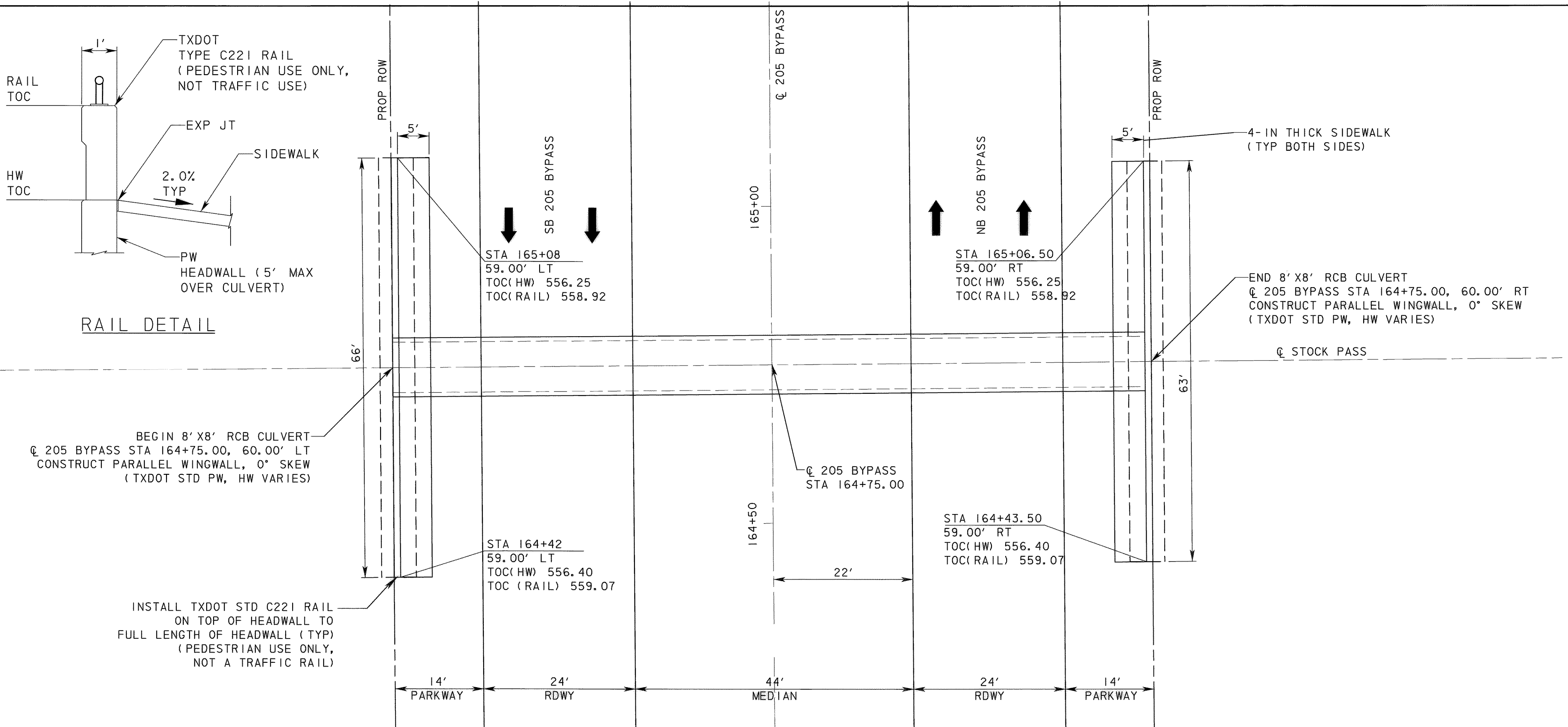
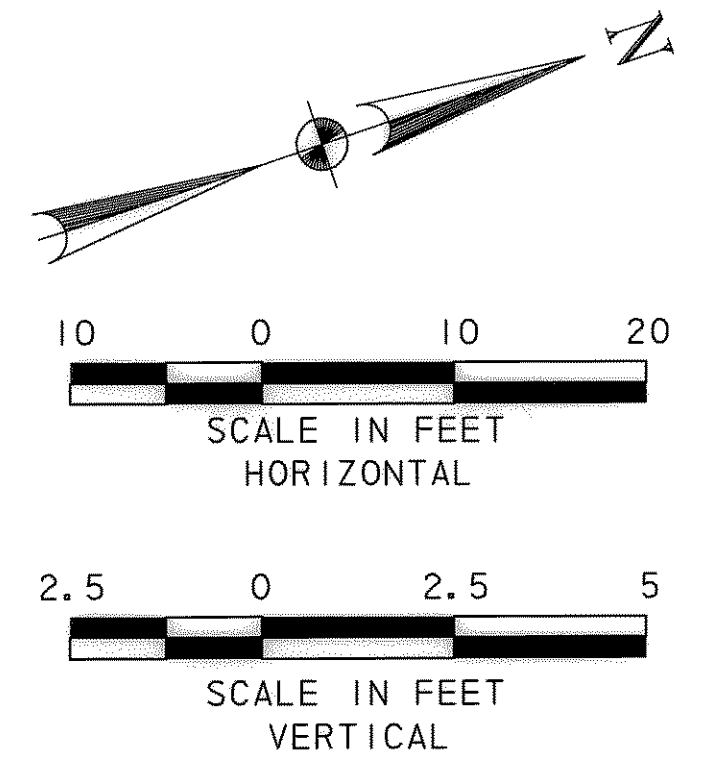
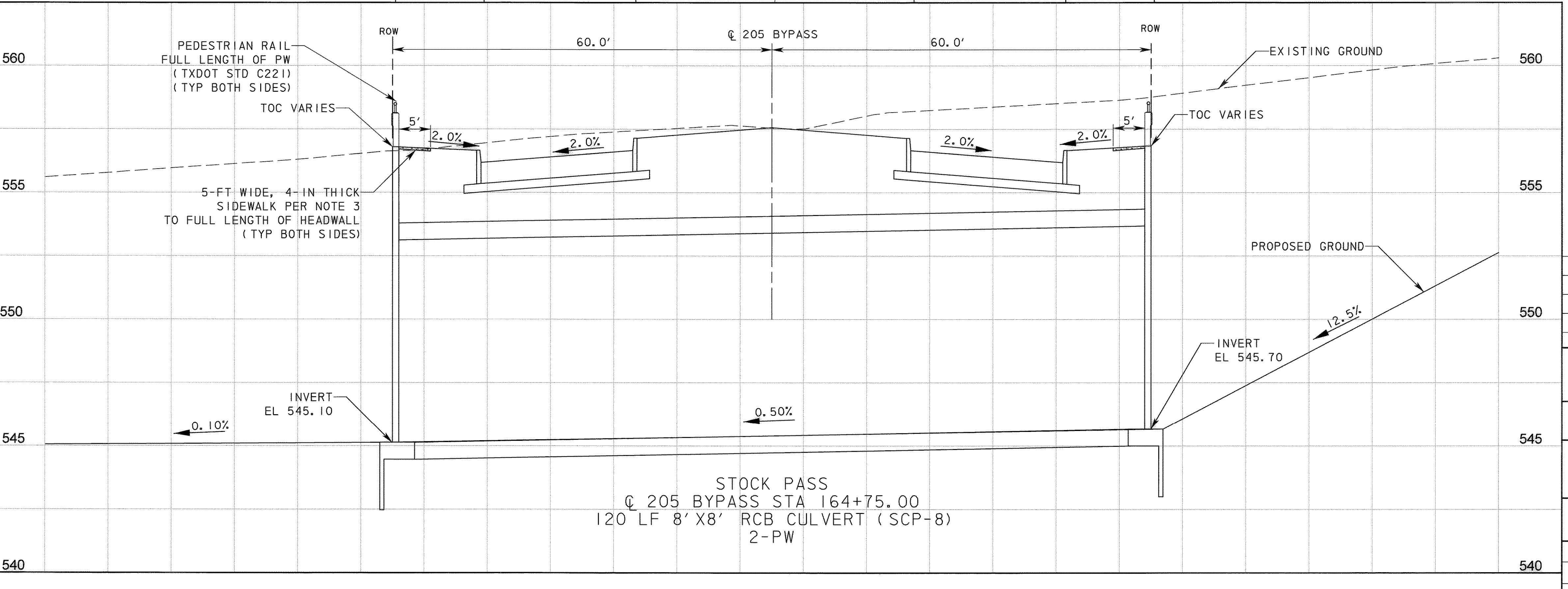


RAIL DETAIL



- NOTES:
1. STOCK PASS IS NOT FOR USE AS A DRAINAGE STRUCTURE.
 2. REFERENCE STOCK PASS GRADING PLAN FOR GRADING AND SEEDING.
 3. SIDEWALK SHALL BE PER NCTCOG STANDARD DRAWING 2170 AS MODIFIED BY ROCKWALL STANDARDS AND THIS DRAWING. PROVIDE 1/2" THICK PREMOLED ASPHALTIC TYPE EXPANSION JOINT FILLER WITH HOT POURED RUBBER JOINT SEALING COMPOUND AT TOP 1/2".



RECORD DRAWING
 This drawing is a compilation of the original sealed engineering drawing and modifications by addenda, change orders and information furnished by the contractor. Information shown that was provided by the contractor and others not associated with the design engineer cannot be verified for accuracy or completeness. Original sealed drawing is on file at the office of AECOM USA Group, Inc., TBPE REG. NO. F-3082

ORIGINAL DRAWING SEALED & SIGNED BY
 John W. Lacy, P.E.
 TX NO. 90202

NO.	REVISION	BY	DATE

City of Rockwall, Texas

205 BYPASS SECTION 1

CULVERT PLAN AND PROFILE STOCK PASS AT STA 164+75

1 OF 2

TCB | AECOM
 TCB INC. WWW.TCB.AECOM.COM
 17300 DALLAS PARKWAY, SUITE 1010 DALLAS, TEXAS 75248

Unit	PW-DAL-FW	Scale:	Horz: AS SHOWN Vert: AS SHOWN	Date	11/11/2009
Designed	SRR/SDB	Checked	TCB	Project No.	60004153
Drawn	FG	Approved	TCB	Sheet	85 of 217

P:\4328\60004153-205Bypass\CADD\Sheets\Section1\140-00-To-FM552\Record Drawing 10_7_09\085Culvert+stockpass.dgn
 11/11/2009