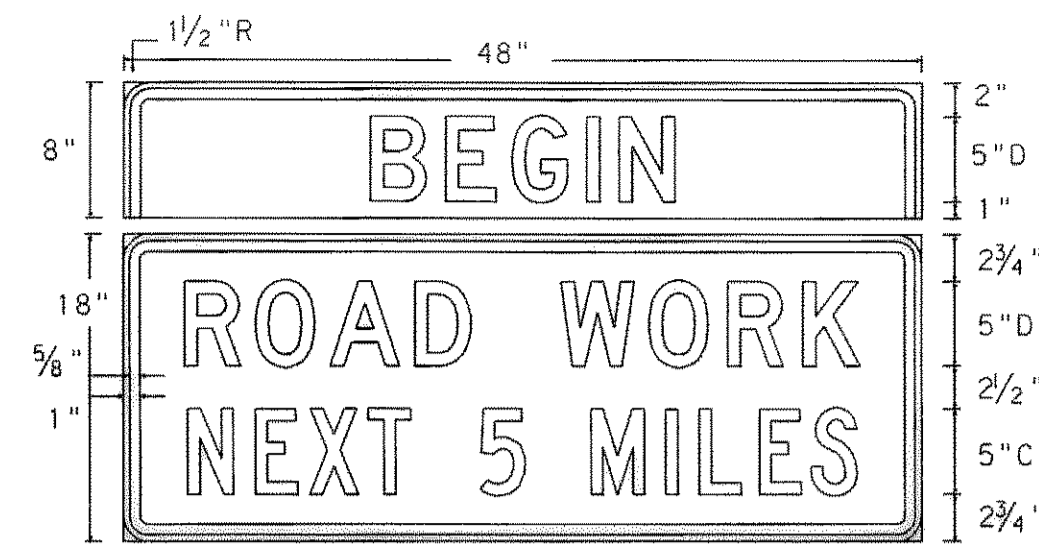
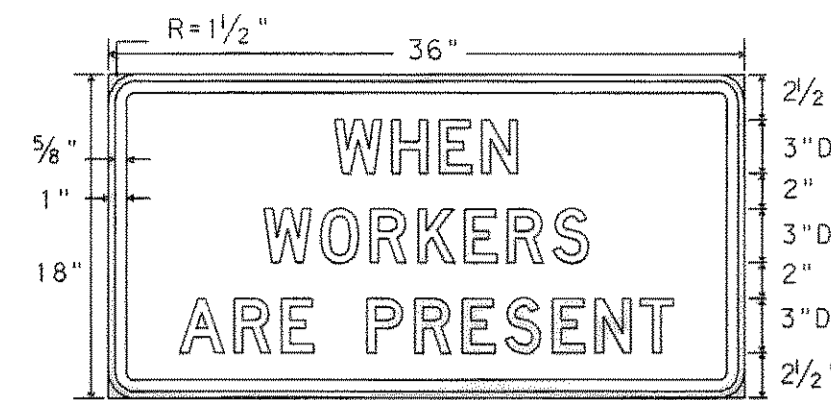


DISCLAIMER: This standard is governed by the "Texas Engineering Practice Act". No warranty of any kind is made by TxDOT for any purpose whatsoever. TxDOT assumes no responsibility for the conversion of this standard to other formats or for incorrect results or damages resulting from its use.

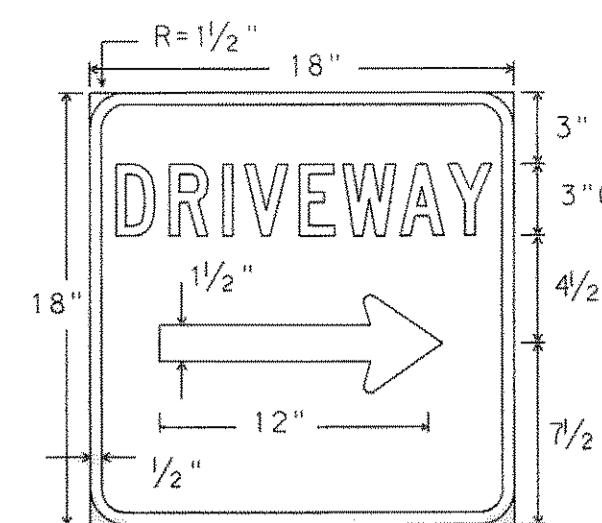
LEVELS DISPLAYED  
 1 2 3 4 5 6 7 8 9 10 11 12 13 14 15 16  
 17 18 19 20 21 22 23 24 25 26 27 28 29 30 31 32  
 33 34 35 36 37 38 39 40 41 42 43 44 45 46 47 48  
 49 50 51 52 53 54 55 56 57 58 59 60 61 62 63



**SG20-1 w/plaque**  
**48" X 26"**  
 Letters - Black  
 Numbers - Black  
 Border - Black  
 Background - Orange Refl.

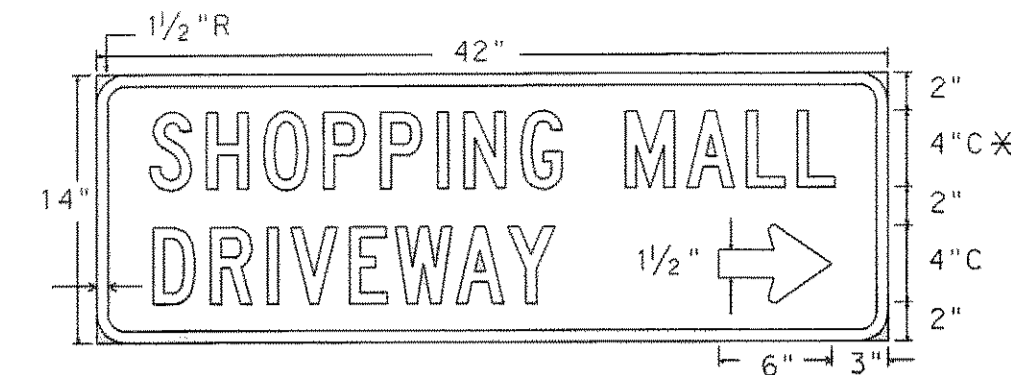


**ER20-5**  
**Plaque**  
**36" X 18"**  
 Letters - Black  
 Border - Black  
 Background - White Refl.



**D-70a**  
**18" X 18"**

Letters - White Refl.  
 Symbol - White Refl.  
 Border - White Refl.  
 Background - Blue Refl.

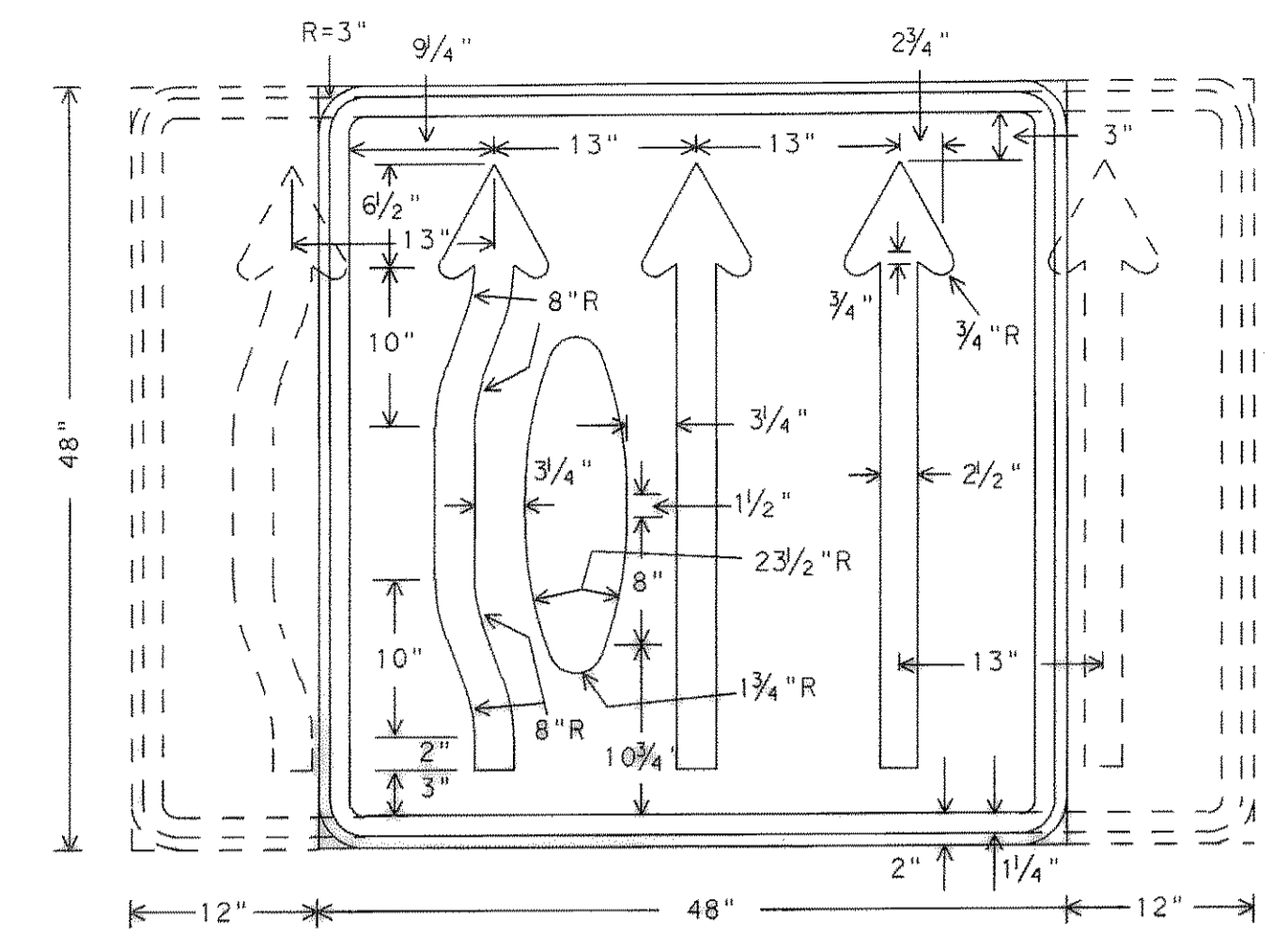


**D-70S**  
**42" X 14"**

Letters - White Refl.  
 Symbol - White Refl.  
 Border - White Refl.  
 Background - Blue Refl.

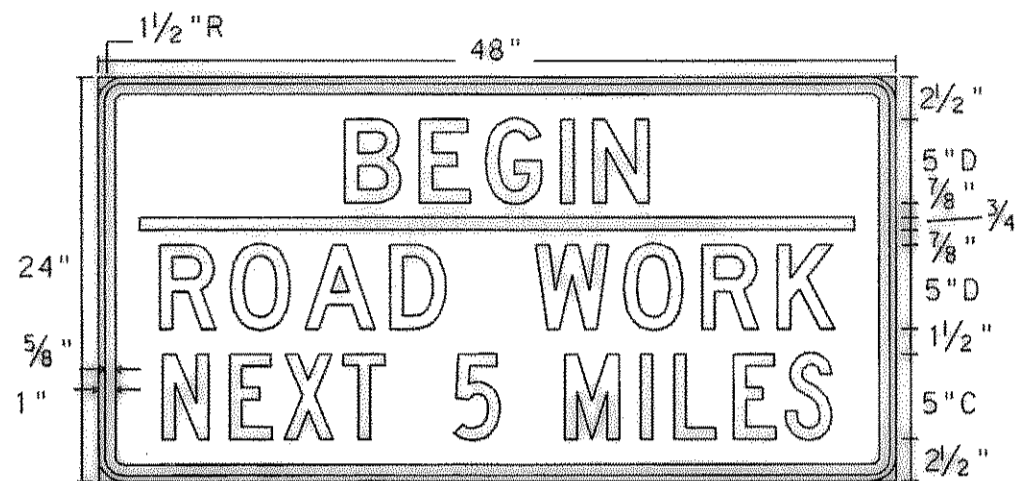
\* Alternate first line legend for D-70S

- RESTAURANT | **D70R** | 4"C
- BUSINESS | **D70B** | 4"C
- MOTEL | **D70M** | 4"C
- GAS | **D70G** | 4"C

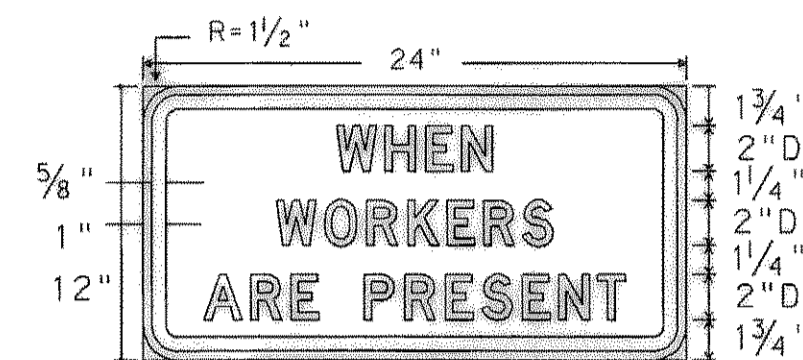


**CW24-2**  
**Var. X 48"**

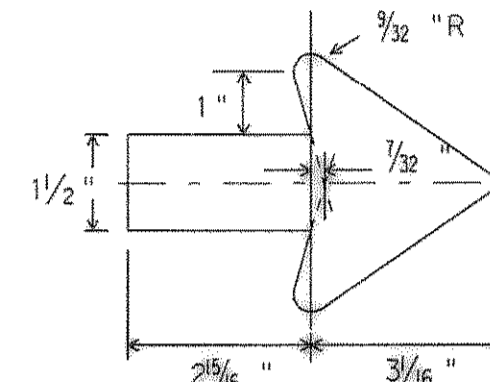
A mirror image may be used to show proper lane alignment.



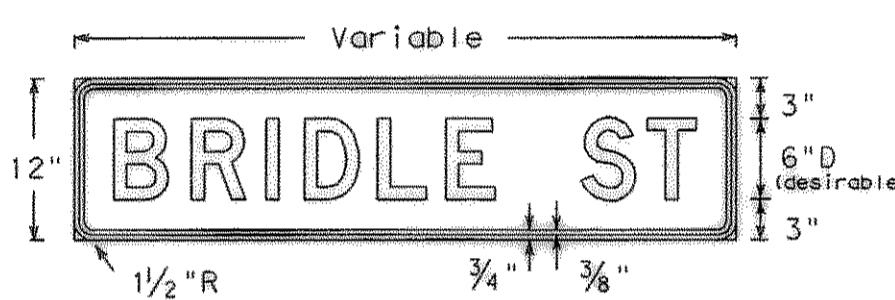
**SG20-5T**  
**48" X 24"**  
 Letters - Black  
 Numbers - Black  
 Border - Black  
 Background - Orange Refl.



**R20-5**  
**Plaque**  
**24" X 12"**  
 Letters - Black  
 Border - Black  
 Background - White Refl.



B-1 Arrow Detail

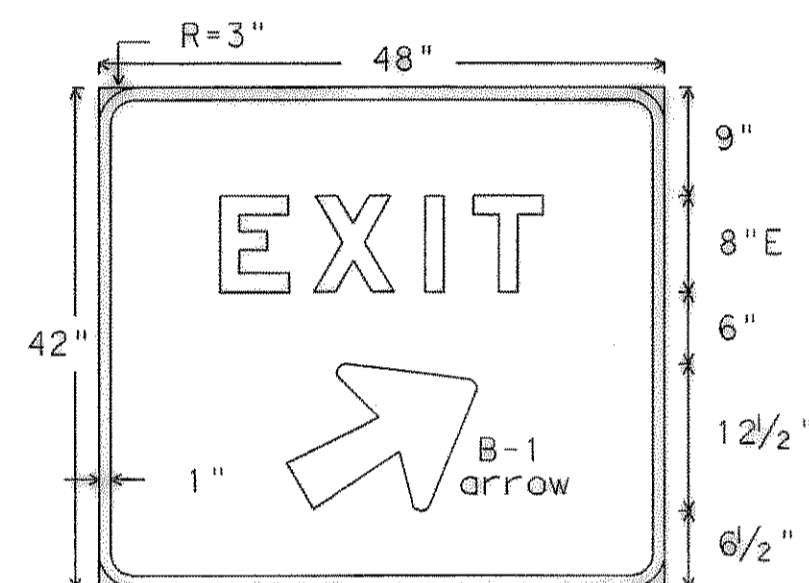


**M4-9N**  
**Variable X 12"**  
 Letters - Black  
 Border - Black  
 Background - Orange Refl.

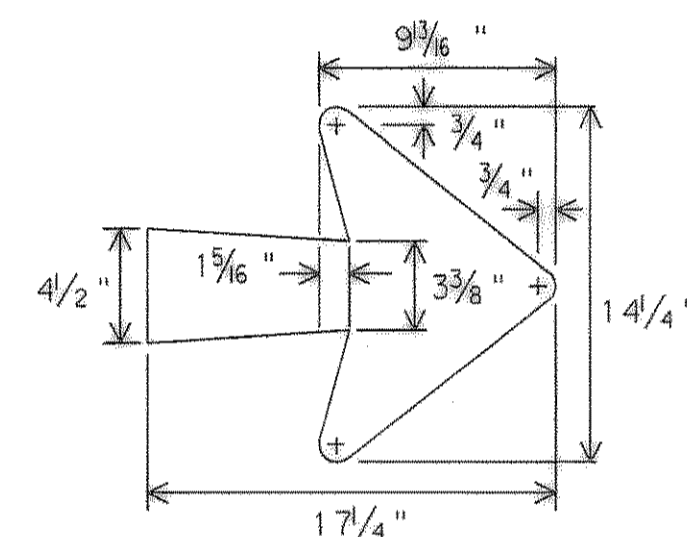
The M4-9R, L or S sign is to be used to detour local streets or roads that are not a State or Federal numbered highway; however, it should not be used in lieu of the M4-10 sign at the beginning of the detour.

four or to detour State or Federal numbered routes.

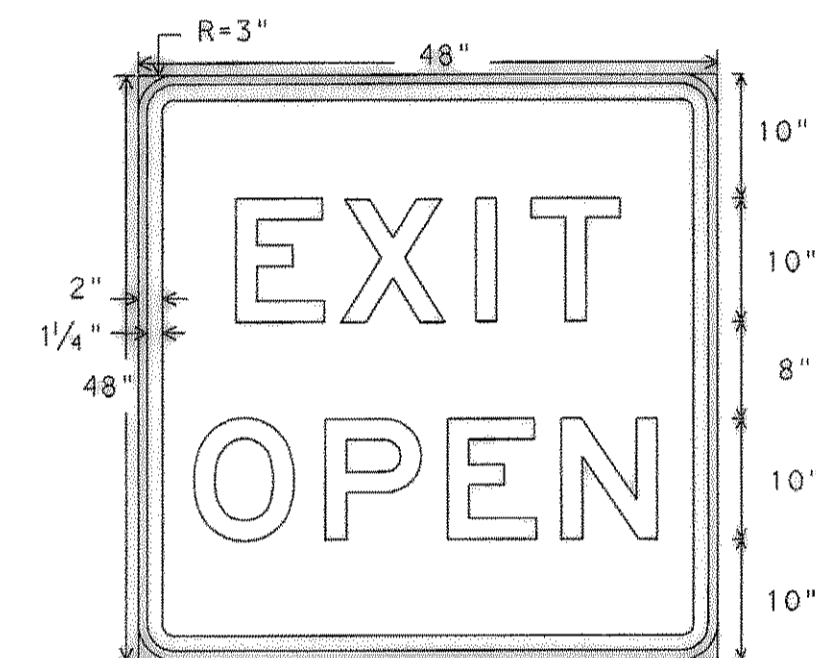
Also, when the M4-9R, L or S sign is used, a sign (M4-9N) with the name of the street being detoured may be mounted above it.



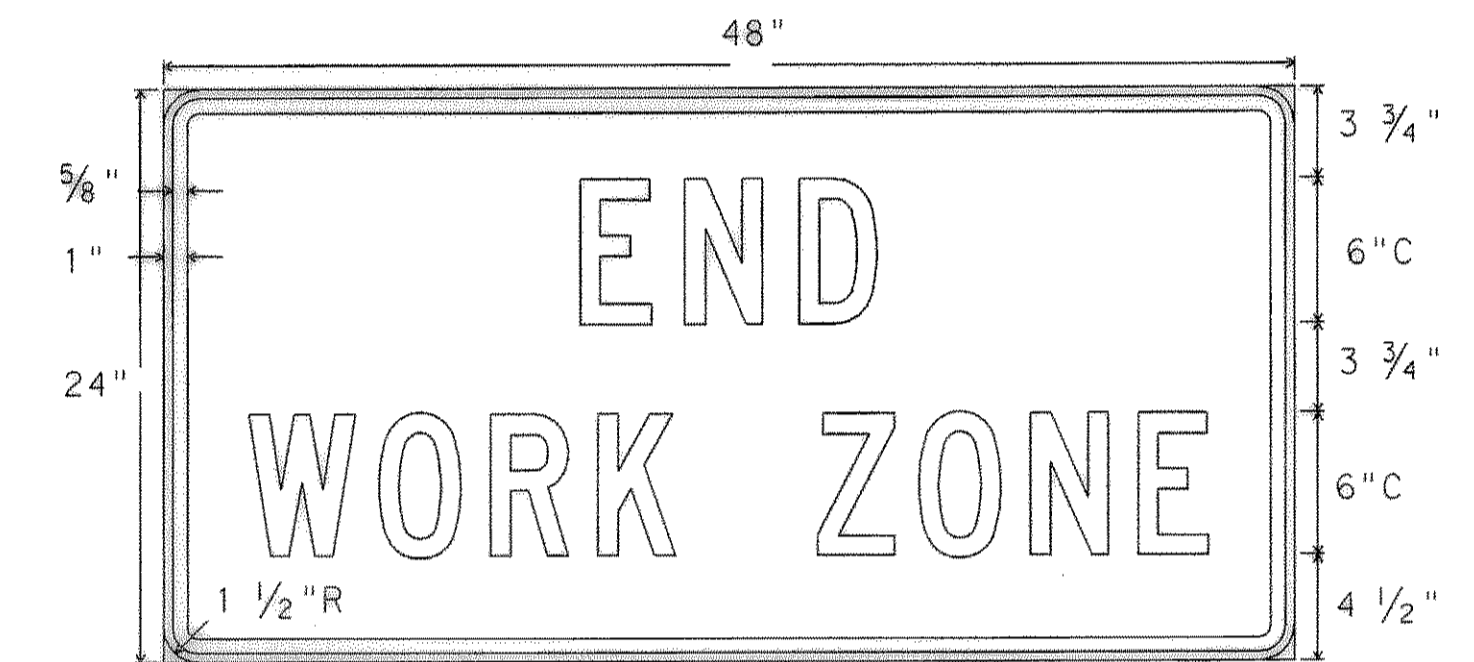
**E5-1a**  
**48" X 42"**  
 Letters - White Refl.  
 Arrow - White Refl.  
 Border - White Refl.  
 Background - Green Refl.



B-1 Arrow Detail



**E5-2**  
**48" X 48"**  
 Letters - Black  
 Border - Black  
 Background - Orange Refl.



**G20-2b**  
**48" X 24"**  
 Letters - Black  
 Border - Black  
 Background - Orange Refl.

| DEPARTMENT MATERIAL SPECIFICATIONS  |          |
|-------------------------------------|----------|
| PLYWOOD SIGN BLANKS                 | DMS-7100 |
| ALUMINUM SIGN BLANKS                | DMS-7110 |
| FLAT SURFACE REFLECTIVE SHEETING    | DMS-8300 |
| VINYL NON-REFLECTIVE DECAL SHEETING | DMS-8320 |

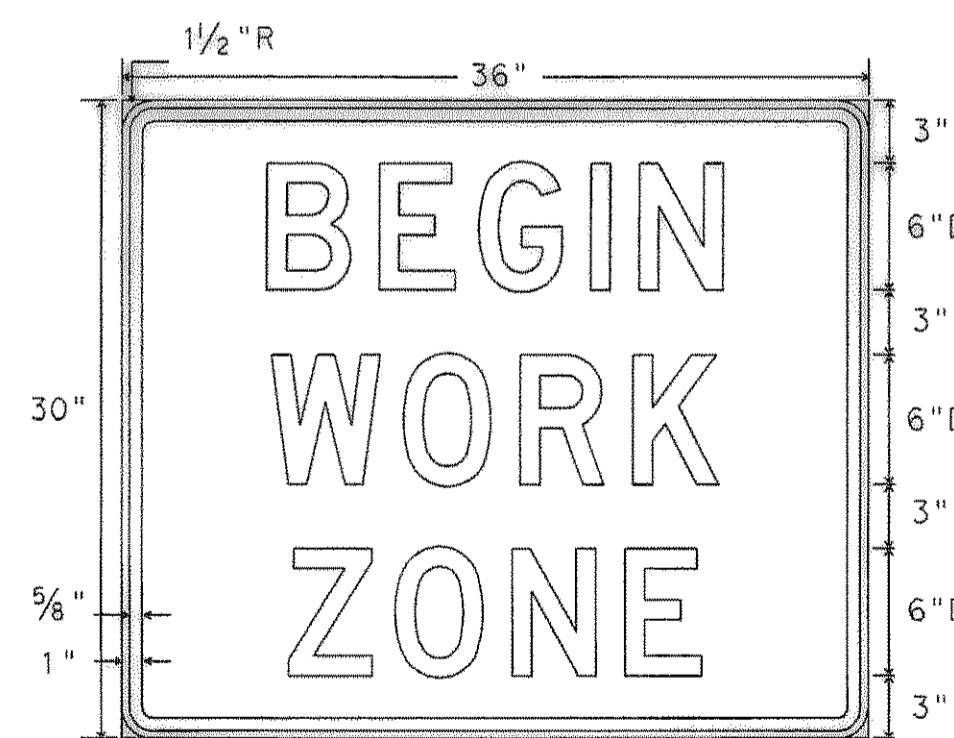
| COLOR  | USAGE            | REFLECTIVE SHEETING OR OTHER MATERIAL |
|--------|------------------|---------------------------------------|
| BLUE   | BACKGROUND       | TYPE C (HIGH SPECIFIC INTENSITY)      |
| RED    | BACKGROUND       | TYPE C (HIGH SPECIFIC INTENSITY)      |
| GREEN  | BACKGROUND       | TYPE C (HIGH SPECIFIC INTENSITY)      |
| ORANGE | BACKGROUND       | TYPE E (FLUORESCENT PRISMATIC)        |
| WHITE  | BACKGROUND       | TYPE C (HIGH SPECIFIC INTENSITY)      |
| YELLOW | BACKGROUND       | TYPE C (HIGH SPECIFIC INTENSITY)      |
| BLACK  | LEGEND & BORDERS | VINYL NON-REFLECTIVE DECAL SHEETING   |
| WHITE  | LEGEND & BORDERS | TYPE C (HIGH SPECIFIC INTENSITY)      |

Only pre-qualified products shall be used. A copy of the "Compliant Work Zone Traffic Control Devices List" (CWZTCD) describes pre-qualified products and their sources and may be obtained by contacting:

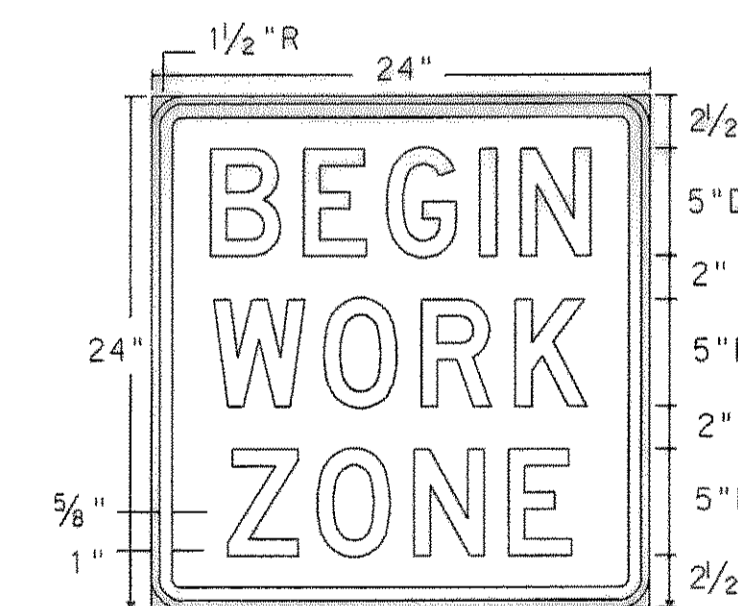
Standards Engineer  
 Traffic Operations Division - TE  
 Texas Department of Transportation  
 125 East 11th Street  
 Austin, Texas 78701-2483  
 Phone (512) 416-3120  
 Fax (512) 416-3299

Instructions to locate the "CWZTCD" on TxDOT website are:

Start at website - [www.dot.state.tx.us](http://www.dot.state.tx.us)  
 Click on "About TxDOT",  
 Click on "Organizational Chart",  
 Click on "Traffic Operations Box",  
 Click on "Compliant Work Zone Traffic Control Devices",  
 Click on "View PDF".  
 This site is printable.



**EG20-9T**  
**36" X 30"**  
 Letters - Black  
 Border - Black  
 Background - Orange Refl.



**G20-9T**  
**24" X 24"**  
 Letters - Black  
 Border - Black  
 Background - Orange Refl.

RECORD PLANS  
 AUGUST 29, 2008

**STANDARD PLANS**  
 Texas Department of Transportation  
 Traffic Operations Division

**BARRICADE AND CONSTRUCTION REGULATORY & GUIDE SIGNS STANDARDS**

12 of 12 BC(12)-03

|                       |                |                     |            |            |
|-----------------------|----------------|---------------------|------------|------------|
| © TxDOT February 1998 | Dist - GRB     | City - BAS          | Dist - FDN | City - CAL |
| REVISIONS             | STATE DISTRICT | FEDERAL PROJECT     | SHEET      |            |
| 10-99                 | 6              | FEDERAL AID PROJECT | T221       |            |
| 11-02                 | COUNTY         | CONTROL SECTION     | JOB        | HIGHWAY    |