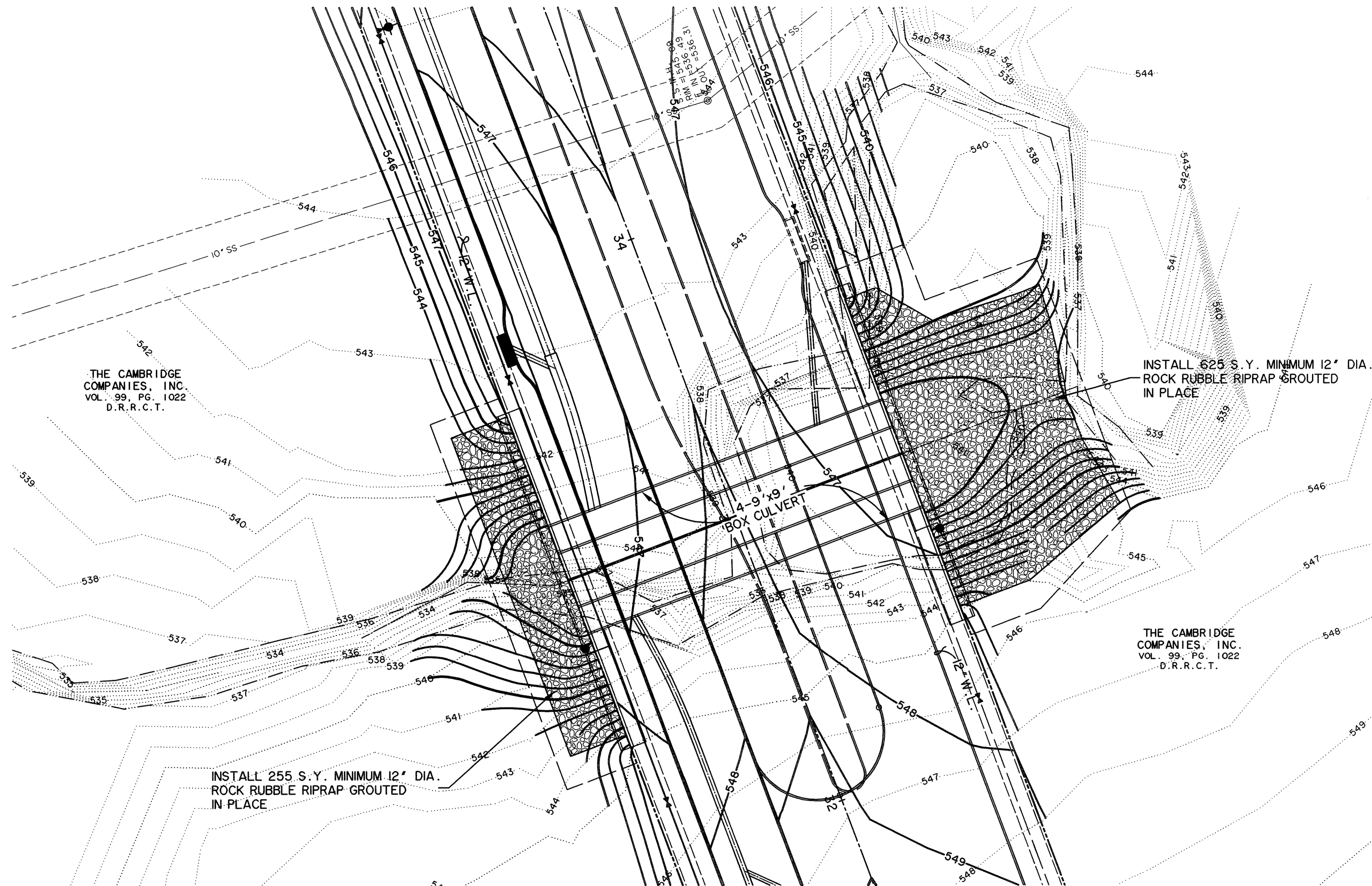


FILE: 04141-CULVERT-GRADE.dwg



THE CAMBRIDGE COMPANIES, INC. VOL. 99, PG. 1022 D.R.R.C.T.

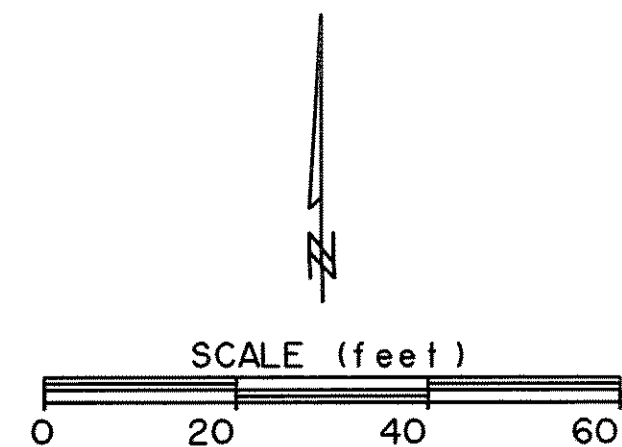
THE CAMBRIDGE COMPANIES, INC. VOL. 99, PG. 1022 D.R.R.C.T.

RECORD PLANS
MARCH 28, 2008

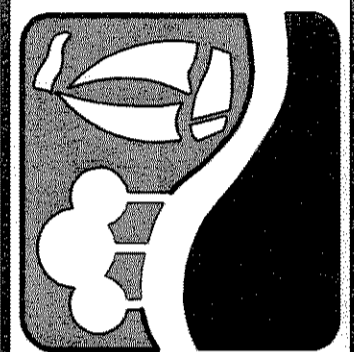
CAUTION !!
 EXISTING UTILITIES ARE INDICATED ON THE PLANS FROM AVAILABLE INFORMATION. IT SHALL BE THE RESPONSIBILITY OF THE CONTRACTOR TO VERIFY THE LOCATION OF ALL UTILITIES, TO NOTIFY ALL UTILITY COMPANIES OF THE CONTRACTORS OPERATIONS, TO PROTECT ALL UTILITIES FROM DAMAGE, TO REPAIR ALL UTILITIES DAMAGED DUE TO THE CONTRACTORS OPERATIONS, AND TO NOTIFY THE ENGINEER PROMPTLY OF ALL CONFLICTS OF THE WORK WITH EXISTING UTILITIES.

BENCHMARKS

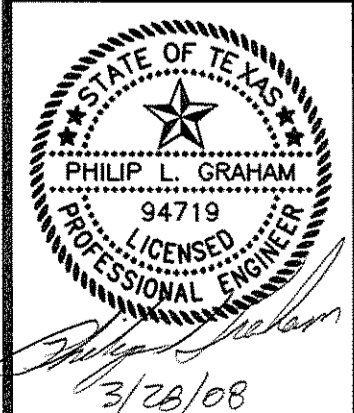
- BOX CUT WITH "X" CUT IN CENTER OF EXISTING SIDEWALK 2' SOUTH OF NORTH EDGE AT SOUTHEAST CORNER OF S.H. No. 205 BYPASS AND S.H. No. 276
 ELEV. 580.40
- BOX CUT ON SOUTHEAST TOP OF HEADWALL ON SOUTH SIDE OF I.H. No. 30 ACCESS ROAD APPROX. 325' EAST OF FUTURE S.H. No. 205 BYPASS AND ON WEST SIDE OF NESBIT METAL CO. ORANGE METAL BLDG.
 ELEV. 573.70



PREPARED BY:
WIA WIER & ASSOCIATES, INC.
 ENGINEERS SURVEYORS LAND PLANNERS
 4300 BELTWAY PLACE SUITE 130 ARLINGTON, TEXAS 76018 METRO (817)467-7700
 1380 U.S. HIGHWAY 287 N. SUITE 101 MANSFIELD, TEXAS 76063 METRO (817)477-8700
 6848 ELA STREET PERCO, TEXAS 75084 METRO (214)387-8000
 www.wierassociates.com



PHASE I S.H. 205 BYPASS
 FROM S.H. 276 TO INTERSTATE 30
 BOX CULVERT GRADING PLAN



COPYRIGHT ©
 WIER & ASSOCIATES, INC.
 LAST SHEET EDIT
 DATE 12-01-2006
 WA# 04141
**SHEET NO.
 D203**