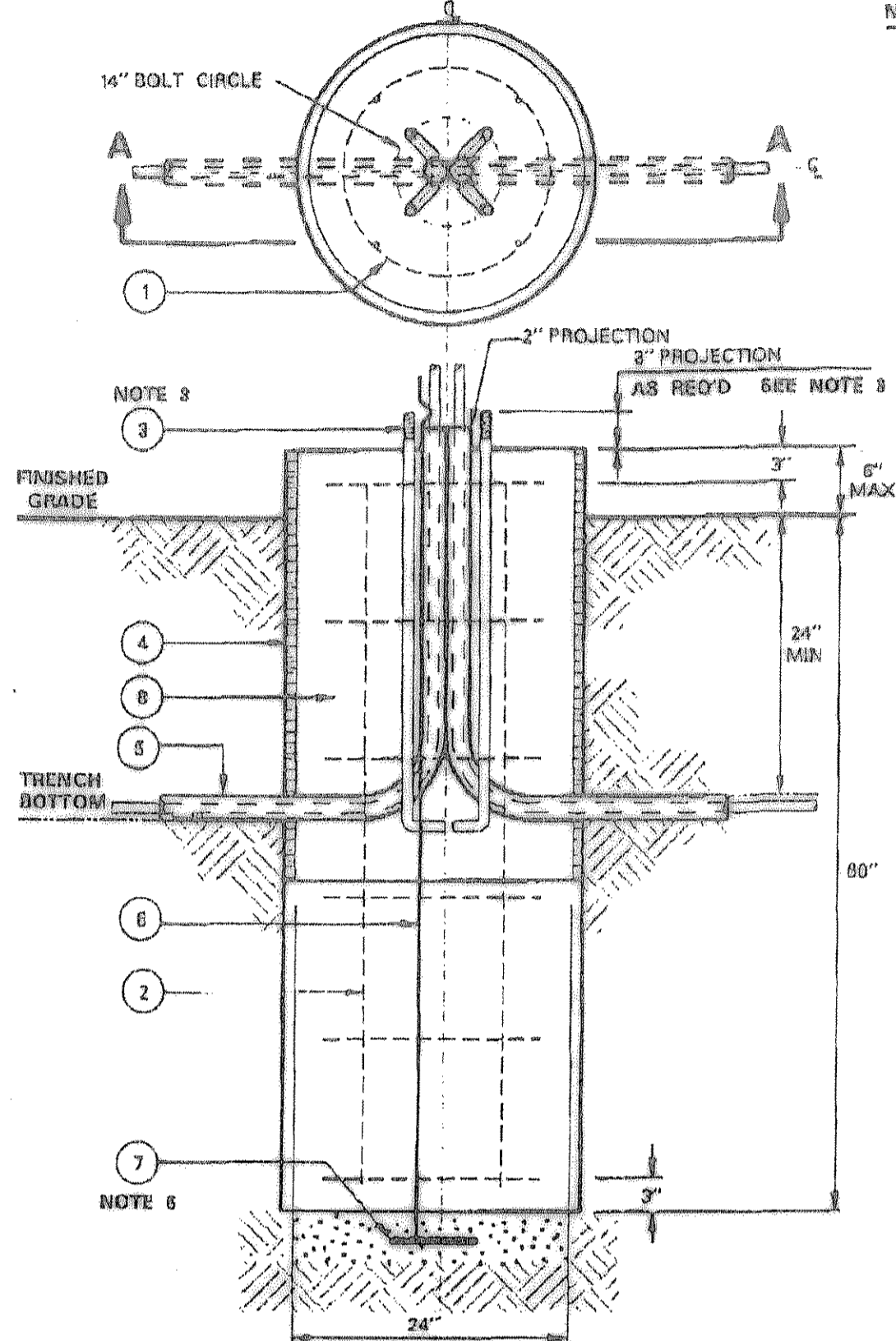


213 - 330
07 - 08

**STREET LIGHT FOUNDATION
25', 30' & 40' SQUARE STEEL POLE
40' M.H. ROUND STEEL POLE**

213 - 330
07 - 08



- NOTES:**
1. CONCRETE TO BE MINIMUM 3000 PSI AT 28 DAYS. (5 SACK) MAXIMUM AGGREGATE 3/4" TOP OF FOUNDATION TO BE TROWELED TO A FLAT AND LEVEL SURFACE. AVOID EXCESSIVE TROWELING. CONCRETE TO SET A MINIMUM OF 72 HOURS BEFORE POLE INSTALLATION.
 2. REBAR HOOPS ARE TIED BEGINNING 5" BELOW TOP OF CONCRETE FORM AND ARE REPEATED AT APPROXIMATE 1' INTERVALS TO BOTTOM OF FOUNDATION.
 3. 1" ANCHOR BOLTS TO BE USED WITH 25' & 30' POLE. 1 1/4" ANCHOR BOLTS TO BE USED WITH 40' POLE. USE TEMPLATE FURNISHED BY POLE MANUFACTURER FOR ALIGNING ANCHOR BOLTS. PROJECTION OF 3" ON 25' & 30' SQUARE AND 3 1/2" ON 40' SQUARE AND ROUND POLES.
 4. CONCRETE FORM OF SONOTUBE TO EXTEND TO BOTTOM OF TRENCH OR AS NEEDED.
 5. PROVIDE MINIMUM 24" GROUND WIRE PIGTAIL OUT OF CONCRETE FOR CONNECTION TO POLE.
 6. A MINIMUM OF 12" OF BARE #8 SD CU WIRE TO BE PLACED IN BOTTOM OF HOLE AND COVERED WITH 2" OF DIRT.
 7. IF SOIL HAS BEEN DISTURBED, EXTEND FOUNDATION BY DEPTH OF DISTURBED SOIL.
 8. FOR POLE FOUNDATIONS LARGER THAN 40' NOMINAL MOUNTING HEIGHT, CONTACT DISTRIBUTION STANDARDS.

SECTION "A - A"

ITEM	QTY	DESCRIPTION	TSN/REF	CU	MIU
1	6	#3 REBAR, 18" DIAMETER HOOP, 3" OVERLAP	314470		
2	4	#5 REBAR, STRAIGHT, 60" LONG	317021		
3	4	ANCHOR BOLT, GALV. 1" FOR 25' & 30' POLES	318585	SLF2520	
4	4	ANCHOR BOLT, 1 1/4" GALV FOR 40' POLES	318668	SLF40	
5	AS REQD	CONCRETE FOUNDATION TUBE, 24" DIAMETER	313541		
6	AS REQD	CONDUIT, PVC OR PEC (NOT IN FOUNDATION AUN)			
7	.5 LB	WIRE, #6 COPPER, SOLID	303244		
8	1	GROUND, POLE BUTT WIRE COIL			
9	AS REQD	CONCRETE			
1	1	FND, PRECAST 25' & 30' SQ. POLE, 14" BC, 1" BOLTS	398030	SLFSG2530	
1	1	FND, PRECAST 40' SQ. 40' RND POLE, 14" BC, 1.25" BOLTS	398700	SLFP40	

APPROVED BY



This Record Drawing is a combination of the sealed engineering contract drawings for this project and the sealed drawings for this project by the contractor reflecting changes in the Project made during construction. The original sealed drawings are on file at the offices of
FREese and NICHols, INC.
4055 INDEPENDENCE BLVD., SUITE 200
FORT WORTH, TEXAS 76103-4695
(817) 735-7300
RECORD DRAWINGS PREPARED ON:
3/15/2009

THE SEAL, WHEN ORIGINALLY APPLIED ON THE INSTRUMENT AND DRAWINGS, HAS NOT BEEN REPRODUCED ON THIS DRAWING. THE SEAL IS THE PROPERTY OF THE ENGINEER AND IS NOT TO BE REPRODUCED OR COPIED WITHOUT THE WRITTEN PERMISSION OF THE ENGINEER. THE TEXAS ENGINEERING PROFESSIONAL ACT.

Freese and Nichols
1781 N. Market Street, Suite 500, LB 51
Dallas, Texas 75202-2001
Phone - (214) 920-2500
Fax - (214) 920-2585

CITY OF ROCKWALL, TEXAS
205 BYPASS CONSTRUCTION
CIVIL
STREET LIGHT DETAIL

NO. ISSUE	BY	DATE	PLAN JOB NO.	ROK06114
		05/2007	DATE	05/2007
			DESIGNED	TBS
			DRAWN	KAS
			CHECKED	
		5/12/09	REVISED	
	CJP		FILE NAME	CV-RDS-DT-PAVE03.dwg
			VERIFY SCALE	Bar is one inch on original drawing. If not one inch on this sheet, adjust scale.
RECORD DRAWINGS				
SHEET DT-3				
SEQ. 44 OF 86				