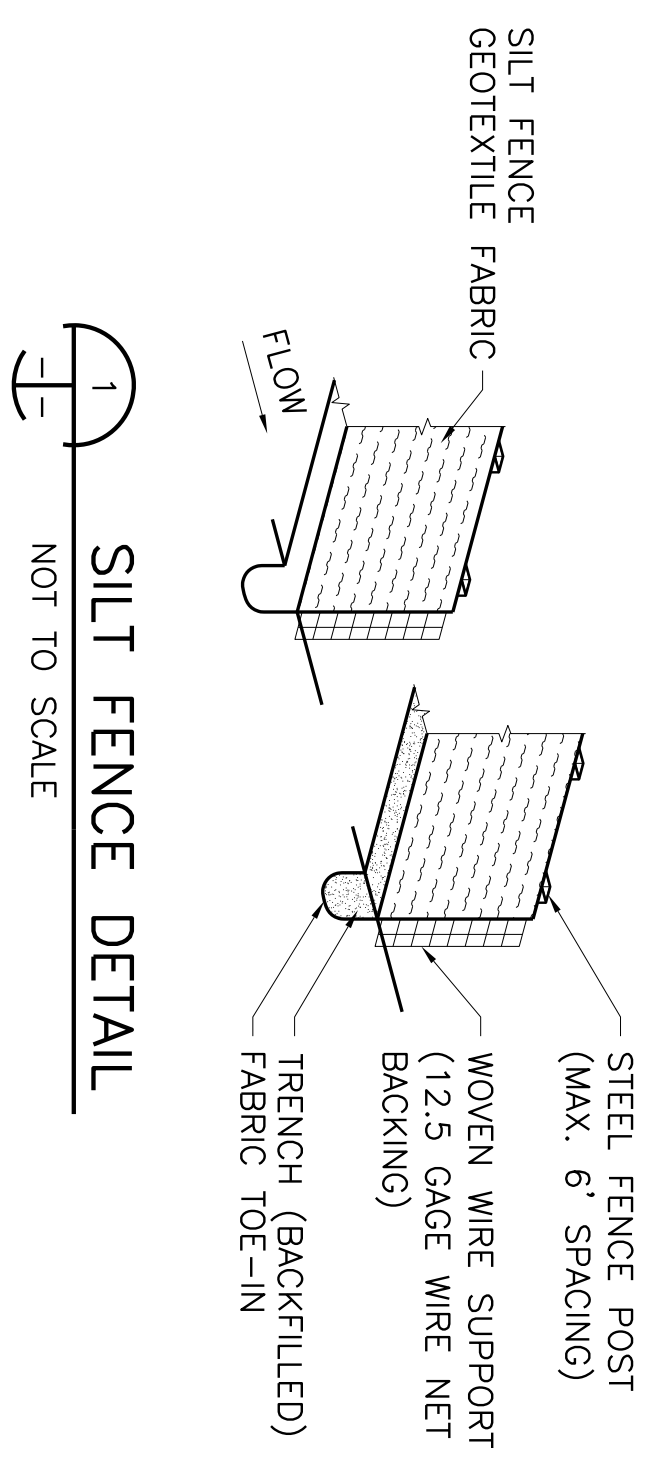
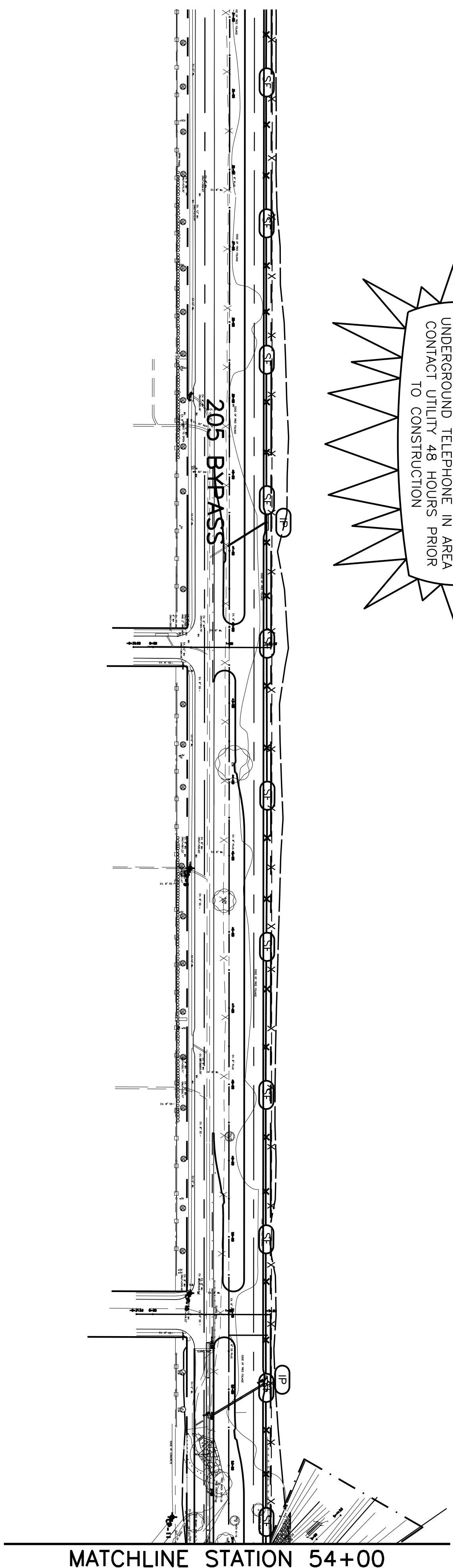
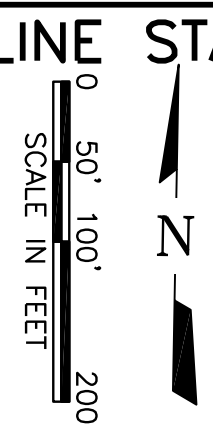
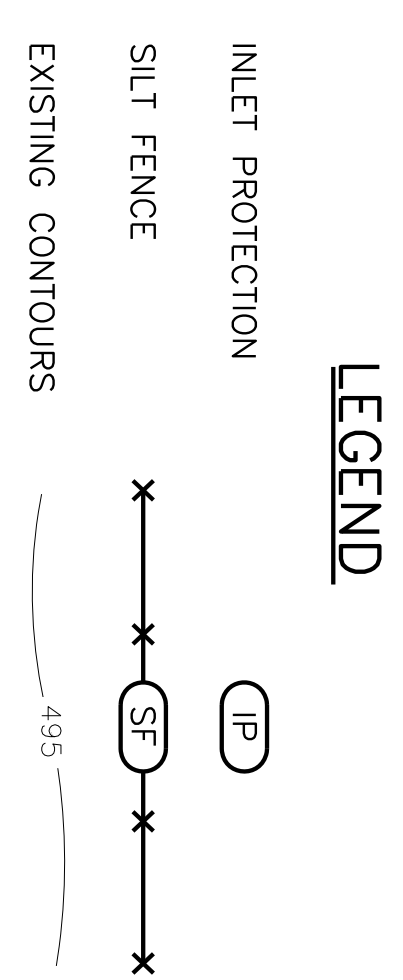


CAUTION!!!
 EXISTING GAS LINES, UNDERGROUND
 AND OVERHEAD ELECTRIC LINES AND
 UNDERGROUND TELEPHONE LINES IN AREA
 CONTACT UTILITY 48 HOURS PRIOR
 TO CONSTRUCTION



SILT FENCE DETAIL
 NOT TO SCALE



This Record Drawing is a combination of the sealed engineering contract drawings for this project, modified by information furnished by the contractor reflecting changes in the Project made during construction. The original sealed drawings are on file at the offices of
FREESE AND NICHOLS, INC.
 4055 INTERNATIONAL PLAZA, SUITE 200
 FORT WORTH, TEXAS 76109-4895
 (817) 735-7300
 RECORD DRAWINGS PREPARED ON:
 3/16/2009

CITY OF ROCKWALL, TEXAS
205 BYPASS CONSTRUCTION

CIVIL

EROSION CONTROL PLAN

Freese and Nichols
 1701 N. Market Street, Suite 500, LB 51
 Dallas, Texas 75202-2001
 Phone - (214) 920-2500
 Fax - (214) 920-2565

THE SEAL THAT ORIGINALLY APPEARED ON THIS DOCUMENT WAS AUTHORIZED BY TRICIA H. HATLEY P.E. TEXAS NO. 83382 ON 2/25/2008 ALTERATION OF A SEALED DOCUMENT WITHOUT PROPER NOTIFICATION OF THE RESPONSIBLE ENGINEER IS AN OFFENSE UNDER THE TEXAS ENGINEERING PRACTICE ACT

| NO. | ISSUE | BY | DATE | F&N JOB NO. |
|-----|-------|----|---------|----------------------|
| | | | | ROK06114 |
| | | | 05/2007 | DATE |
| | | | KAS | DESIGNED |
| | | | CHM | DRAWN |
| | | | | REVISED |
| | | | | CHECKED |
| | | | | FILE NAME |
| | | | | CV-ALL-PL-EROS01.dwg |

RECORD DRAWINGS CJP 5/12/09

VERIFY SCALE Bar is one inch on original drawing. If not one inch on this sheet, adjust scale.

SHEET
ER-1
 36 OF 86