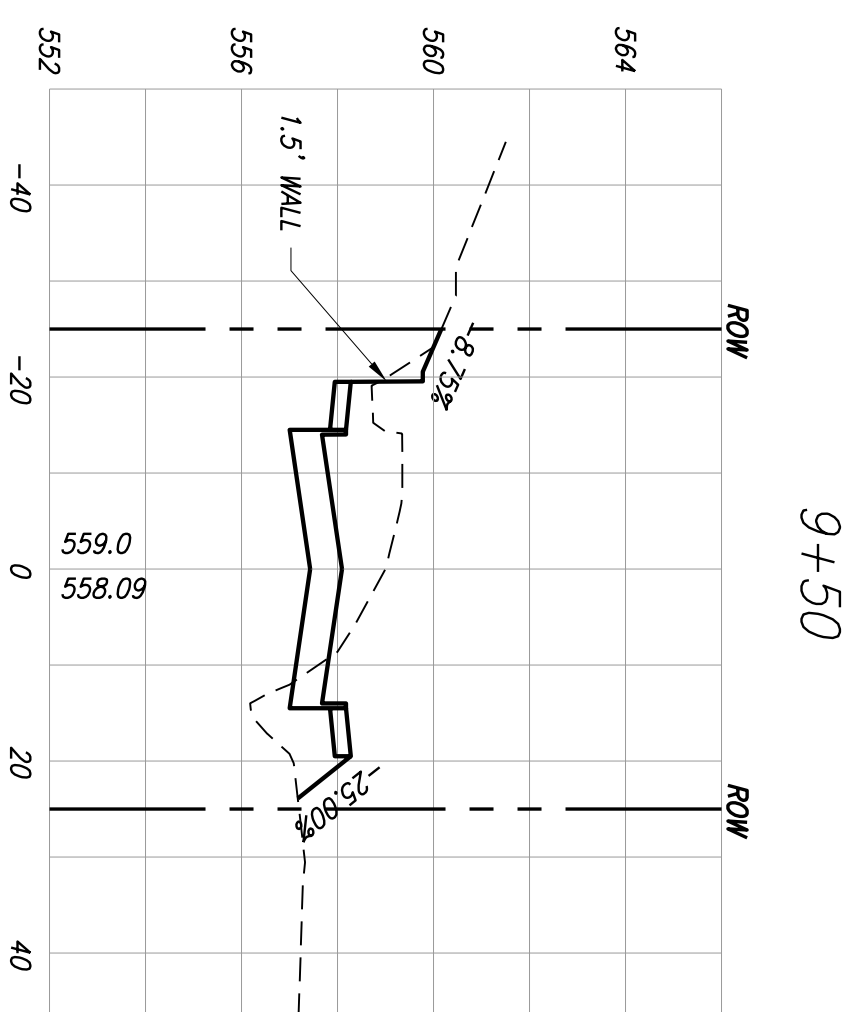
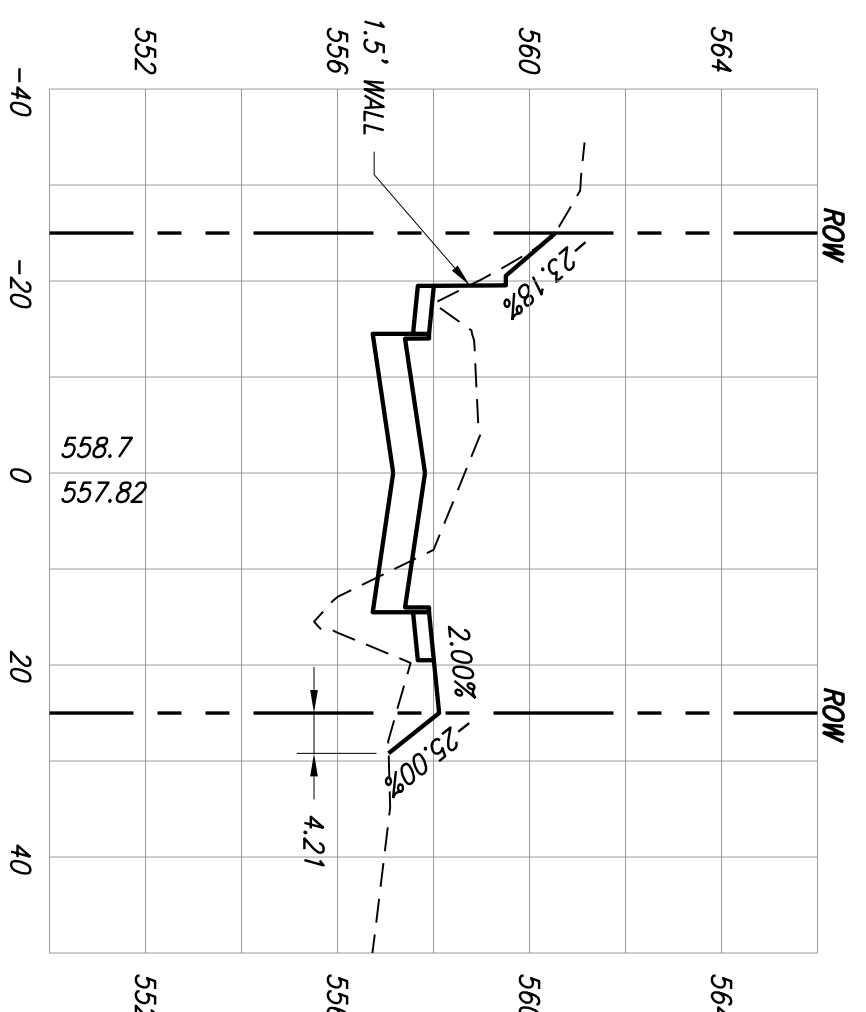
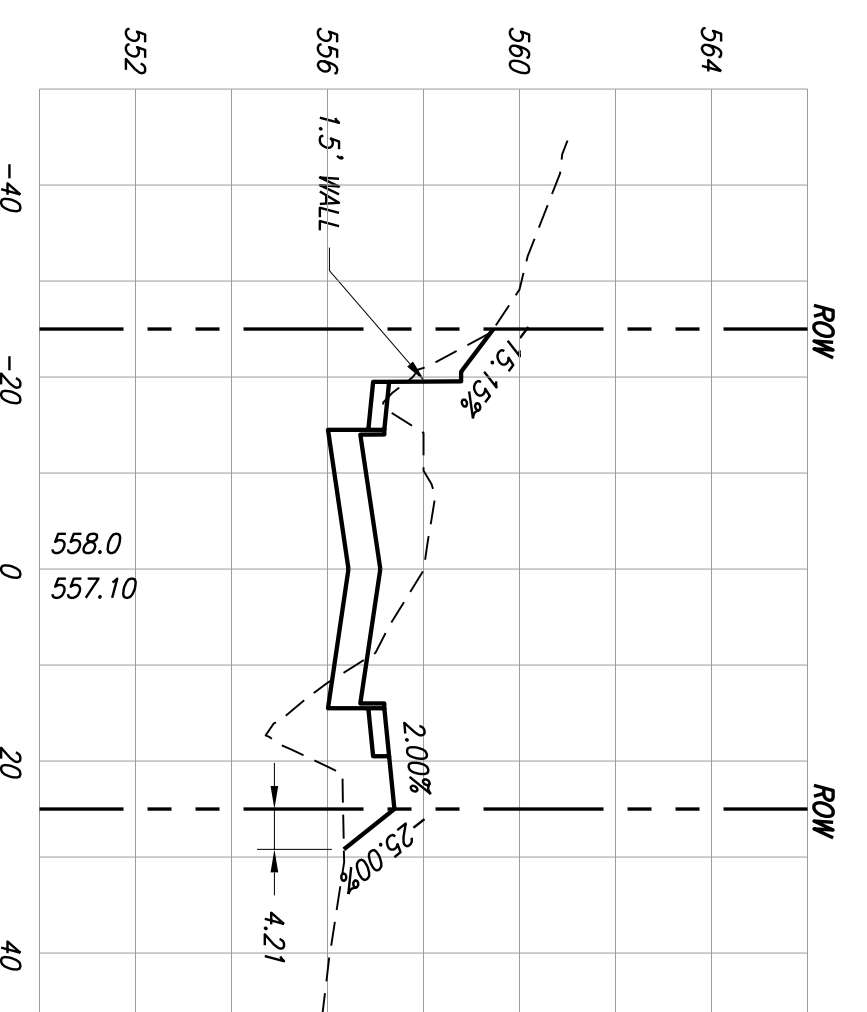
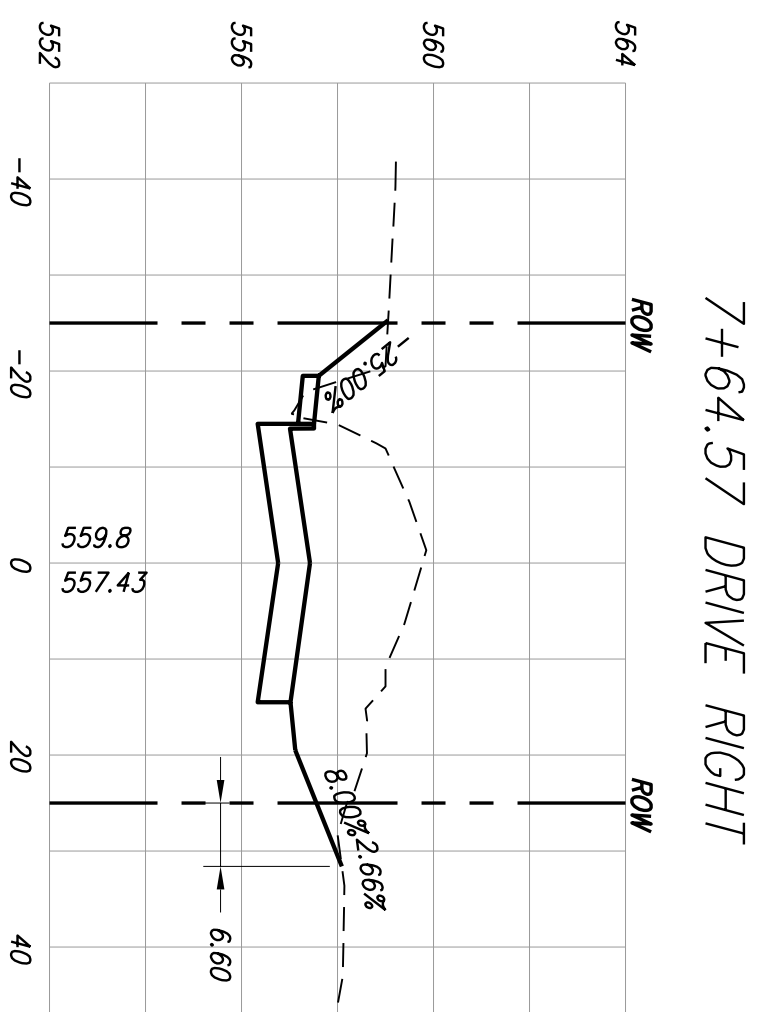
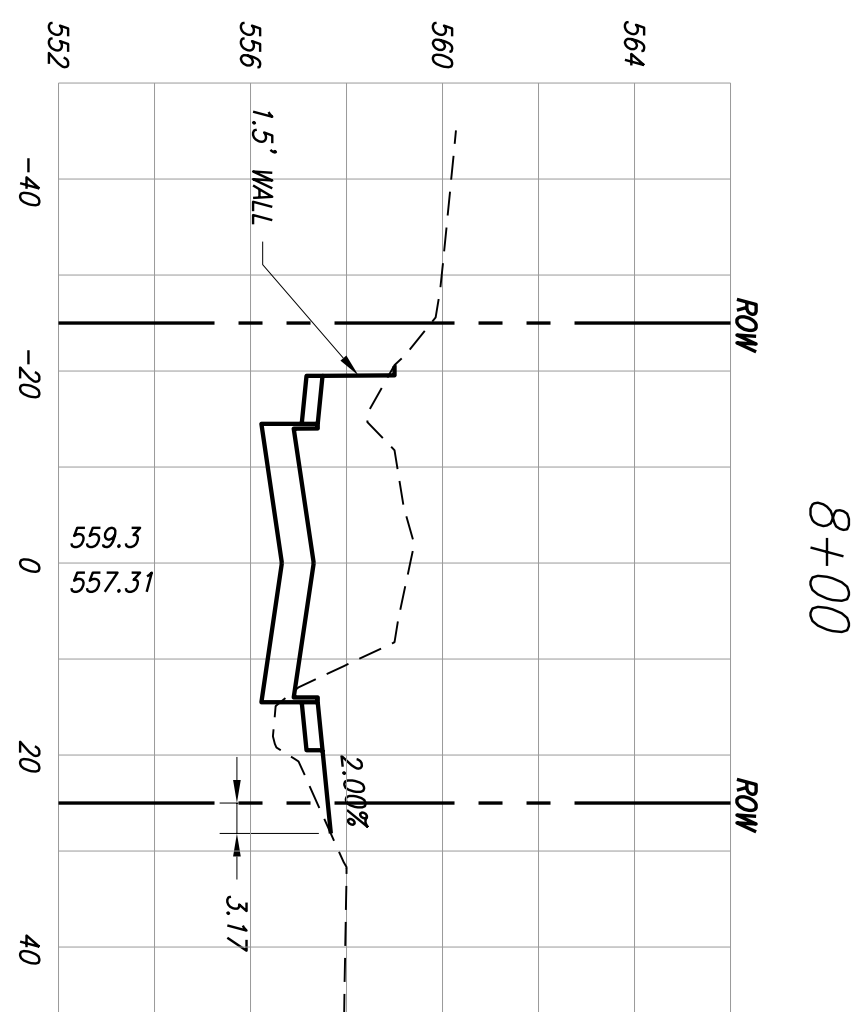
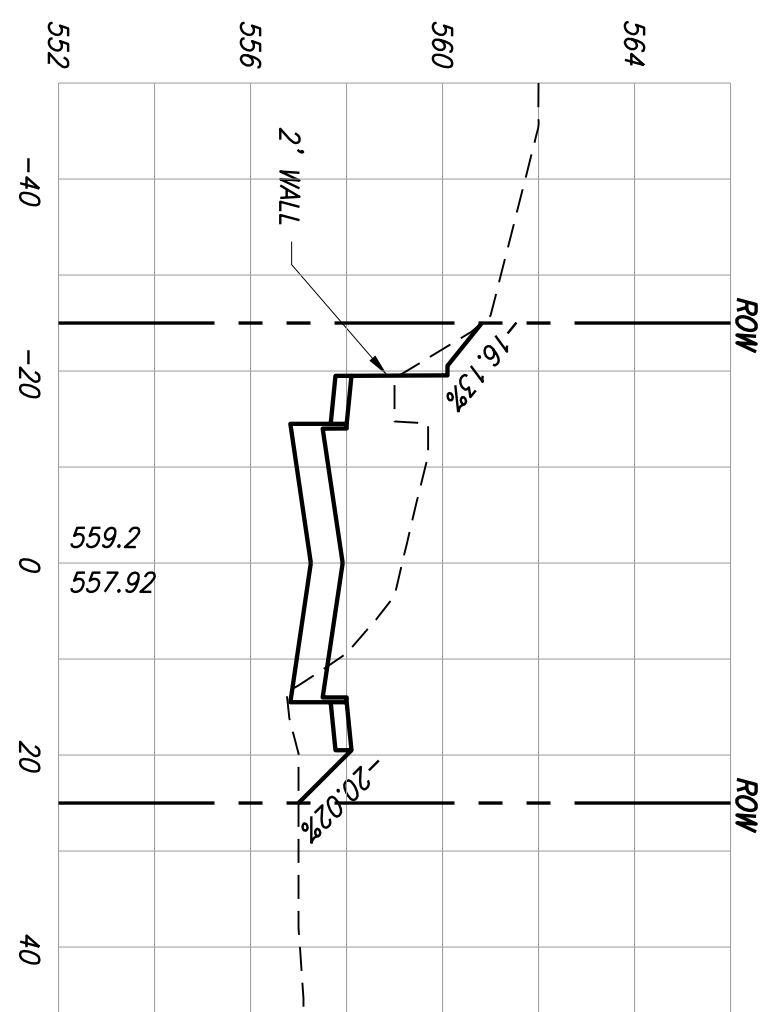
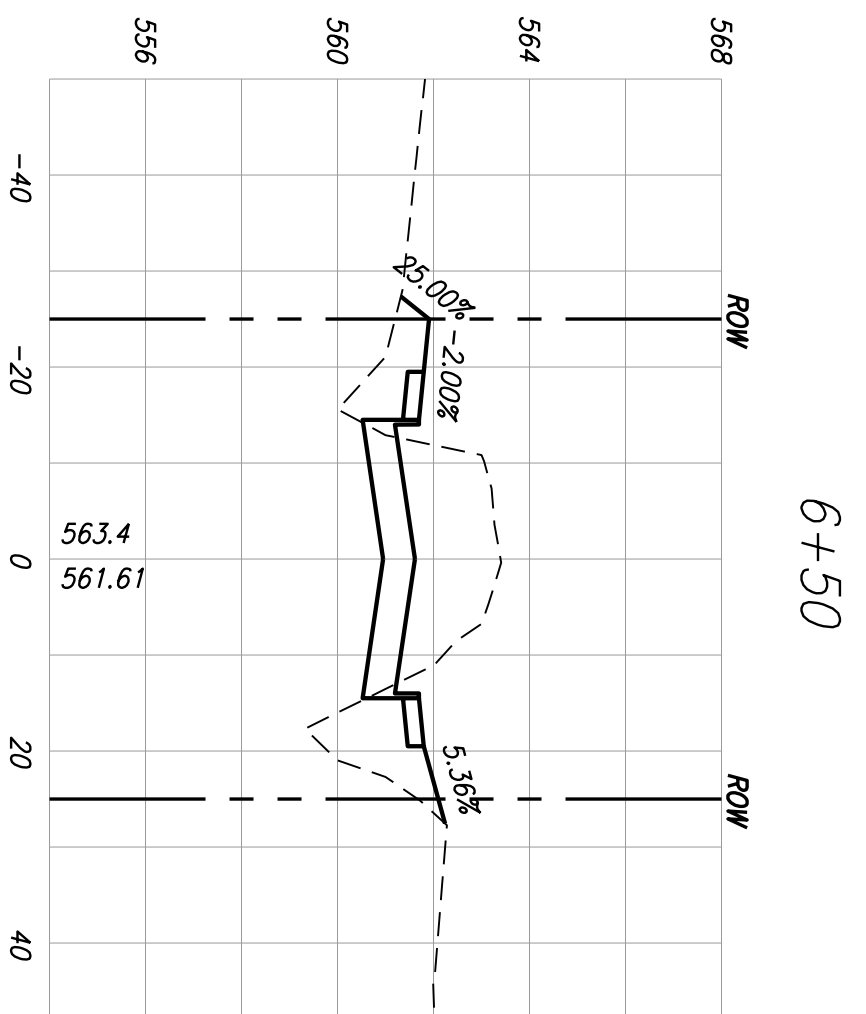
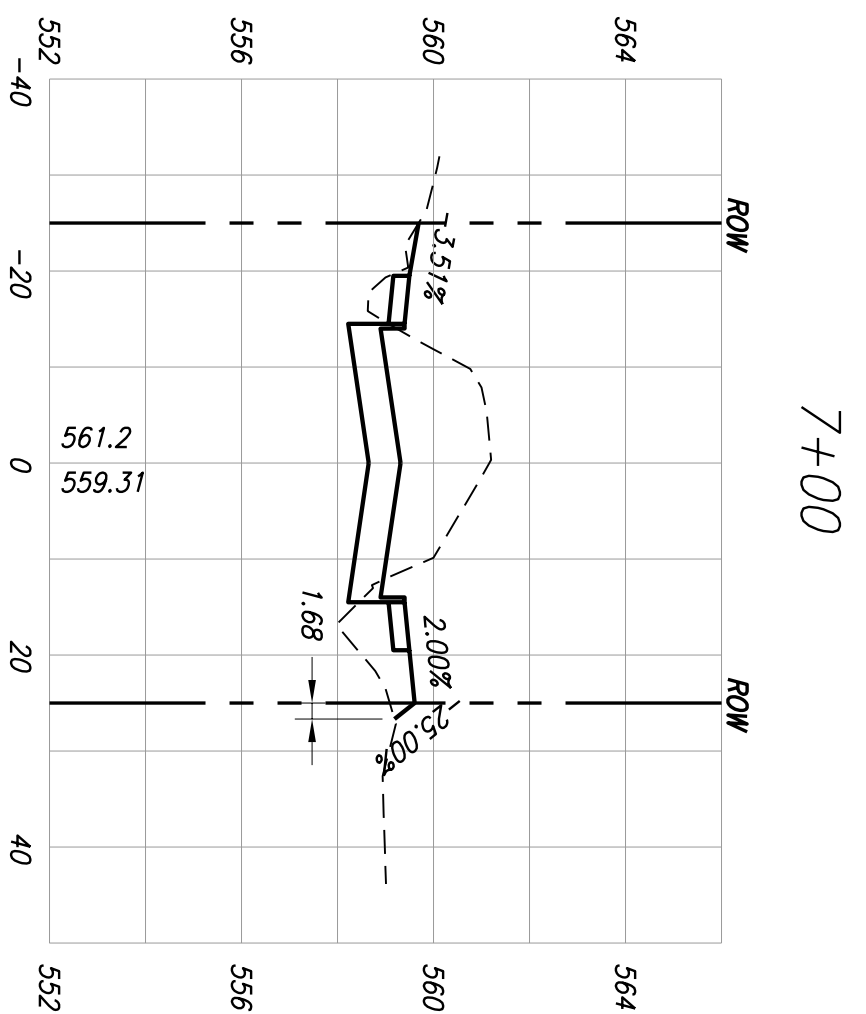
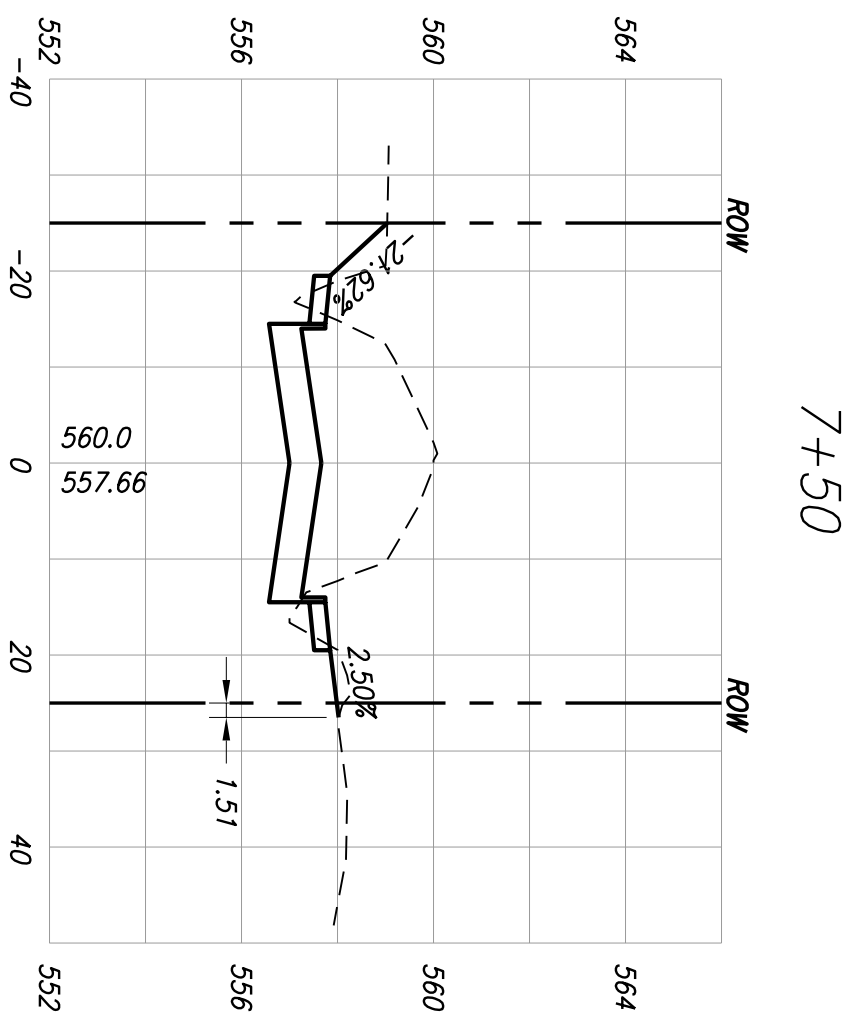
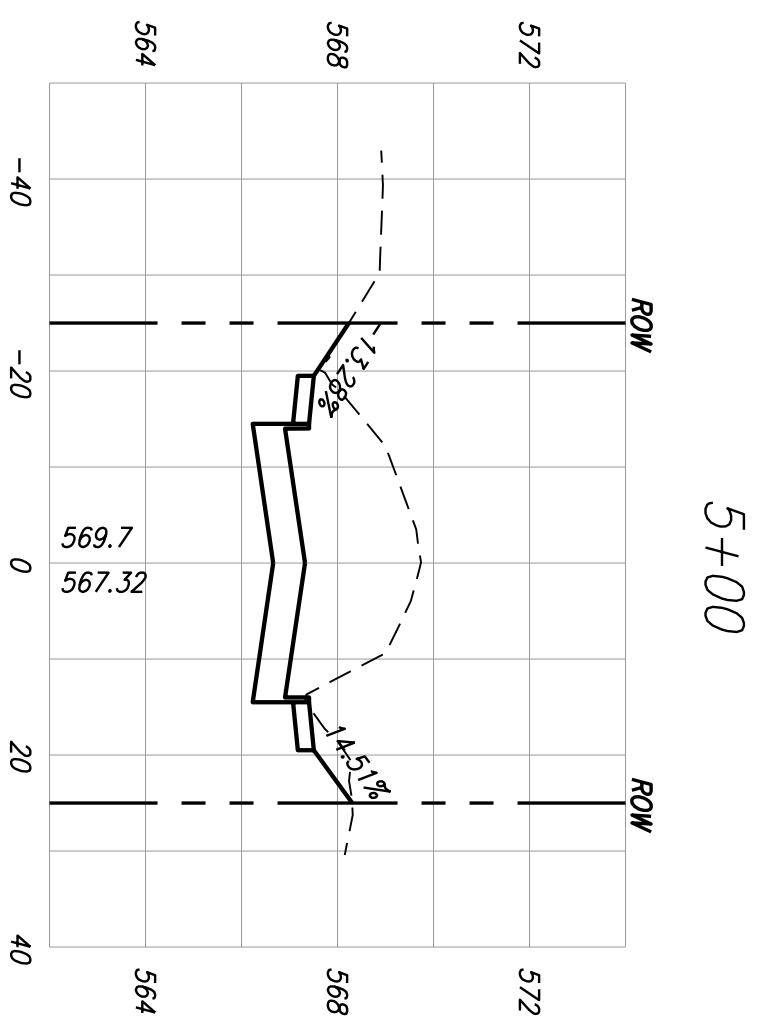
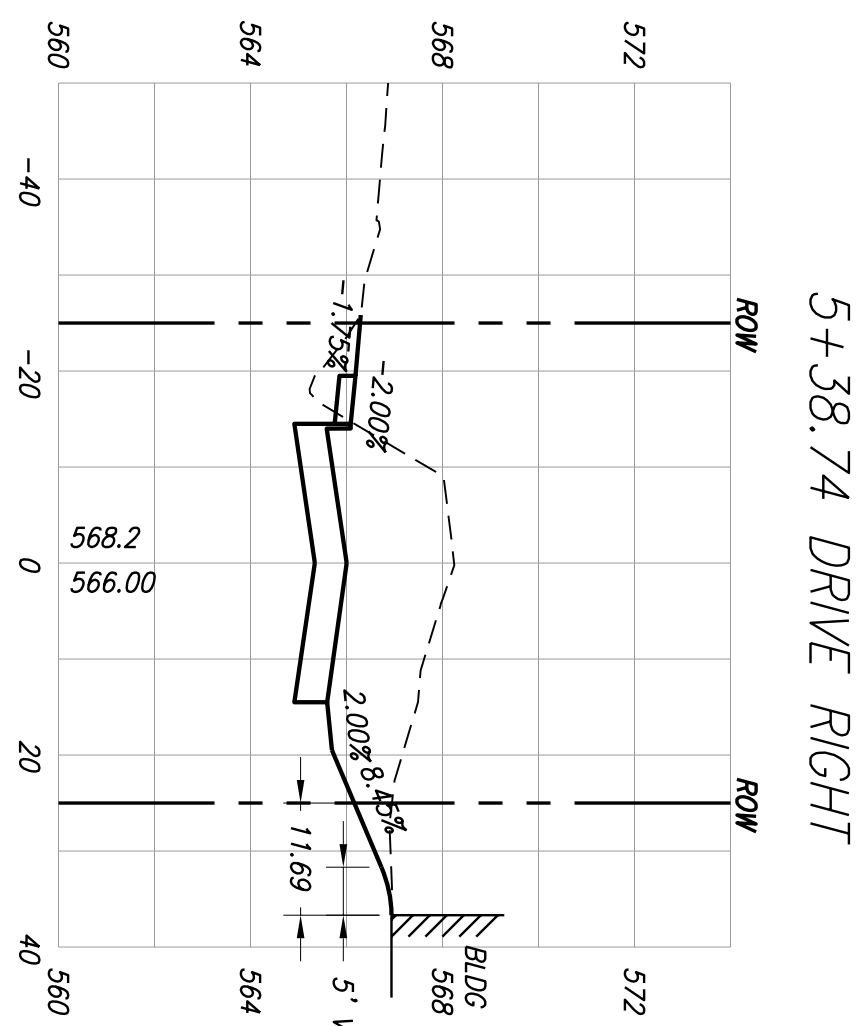
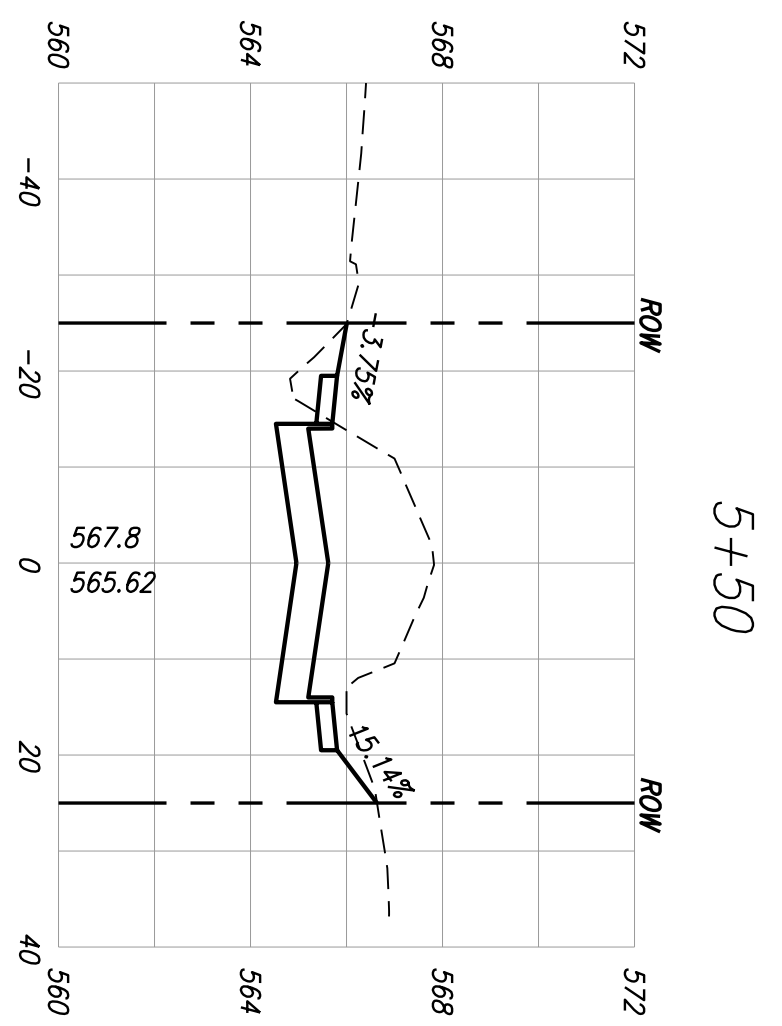


Date: Jul 16, 2007 - 4:27pm User: dlm File: N:\Record\CV-ROK-XS-SECT02.dwg



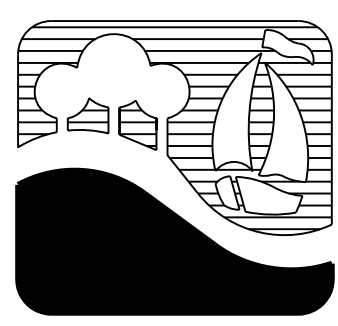
This Record Drawing is a combination of the sealed engineering contract drawings for this project, modified by information furnished by the contractor reflecting changes in the project. It is not a final drawing and the sealed drawings are on file at the offices of
FRESE AND NICHOLS, INC.
 4055 INTERNATIONAL PLAZA, SUITE 200
 FORT WORTH, TEXAS 76109-4895
 (817) 735-7380
 DATE PLOTTED: 07/13/2007
 RECORD DRAWING PREPARED ON:

THE SEAL THAT ORIGINALLY APPEARED ON THIS DOCUMENT WAS AUTHORIZED BY T.E.D. B. SUGGS, P.E. TEXAS NO. 82275 ON 7/13/2007. ALTERATION OF A SEALED DOCUMENT WITHOUT PROPER NOTIFICATION OF THE RESPONSIBLE ENGINEER IS AN OFFENSE UNDER THE TEXAS ENGINEERING PRACTICE ACT.

Freese and Nichols
 1701 N. Market Street, Suite 500, LB 51
 Dallas, Texas 75202-2001
 Phone - (214) 920-2500
 Fax - (214) 920-2565

CITY OF ROCKWALL, TEXAS
**ROSS STREET REHABILITATION
 AND DRAINAGE IMPROVEMENTS**

CROSS SECTIONS



F&N JOB NO.	ROK05274
DATE	3/01/2006
DESIGNED	RAW
DRAWN	NO/EAM
REVISED	NO
CHECKED	RAW
FILE NAME	CV-ROK-XS-SECT02.dwg

NO.	ISSUE	BY	DATE

VERIFY SCALE 1 Bar is one inch on original drawing. If not one inch on this sheet, adjust scale.

SCALE:
 HORIZ: 1"=20'
 VERT: 1"=4'

SHEET
XS-2