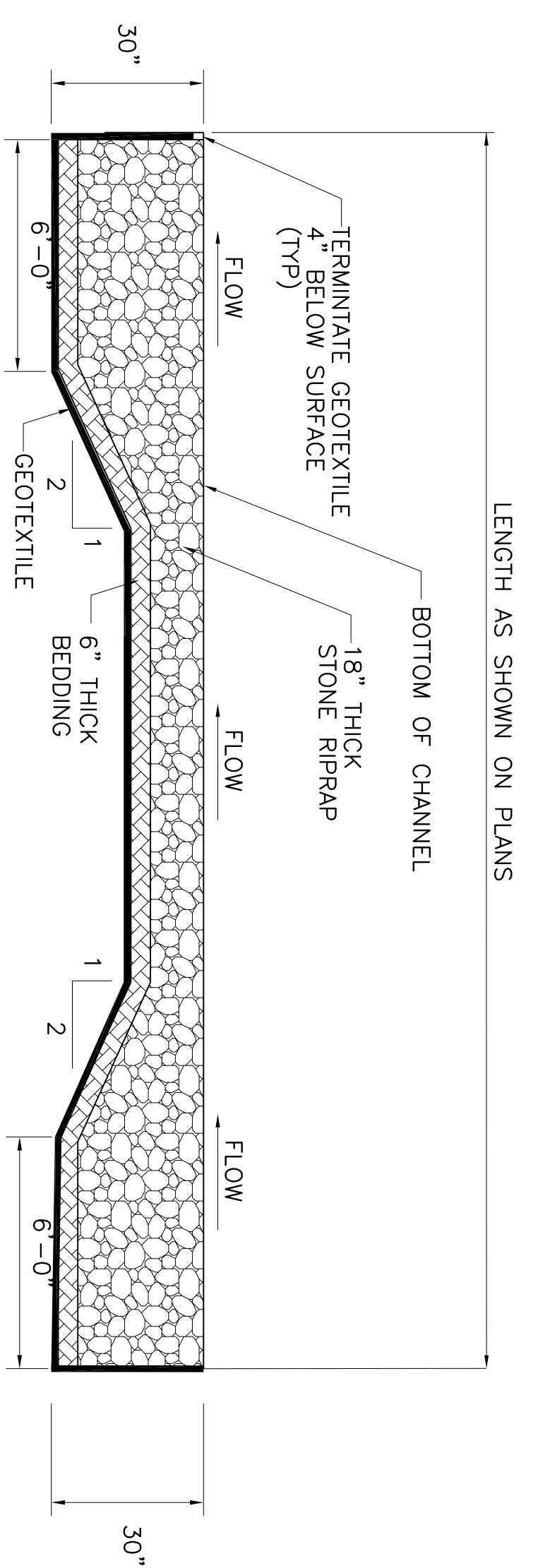
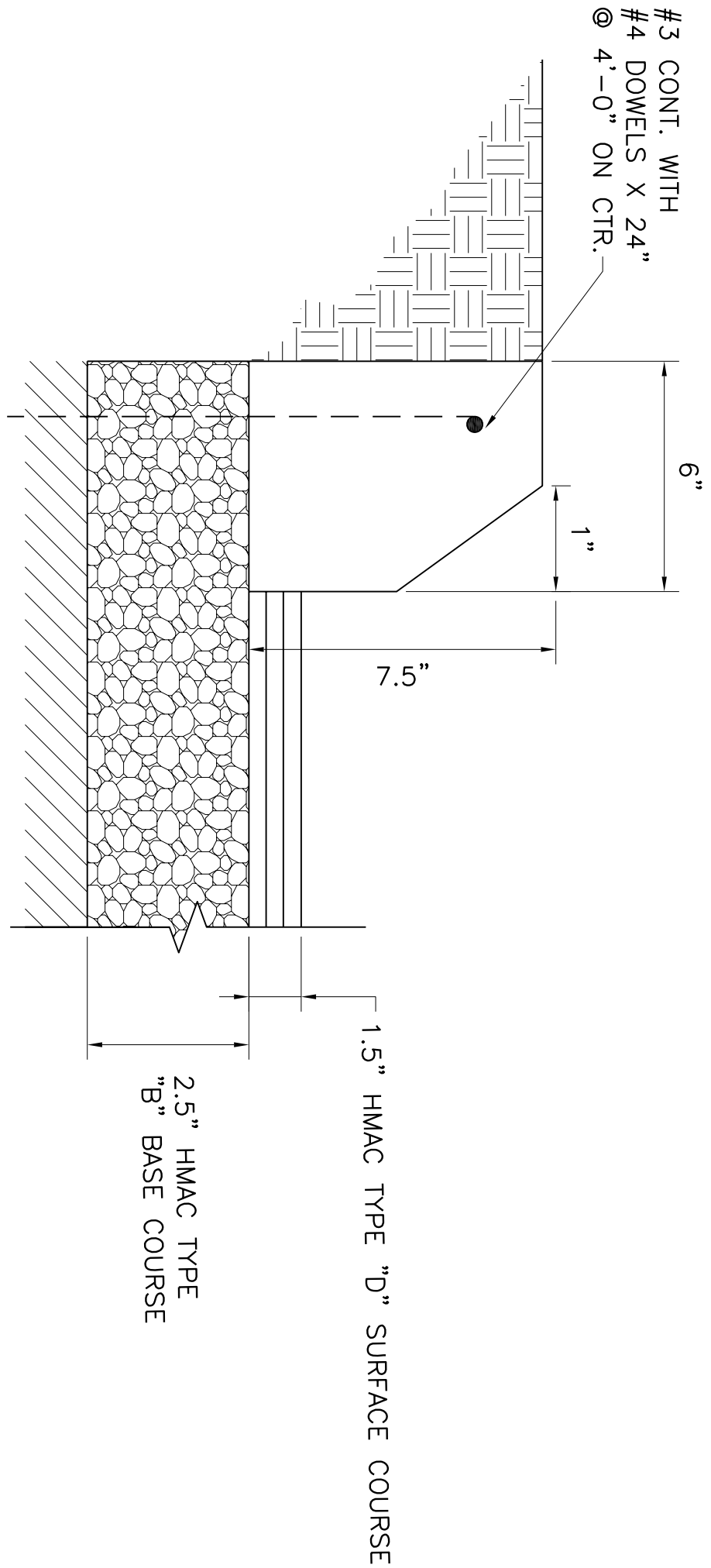


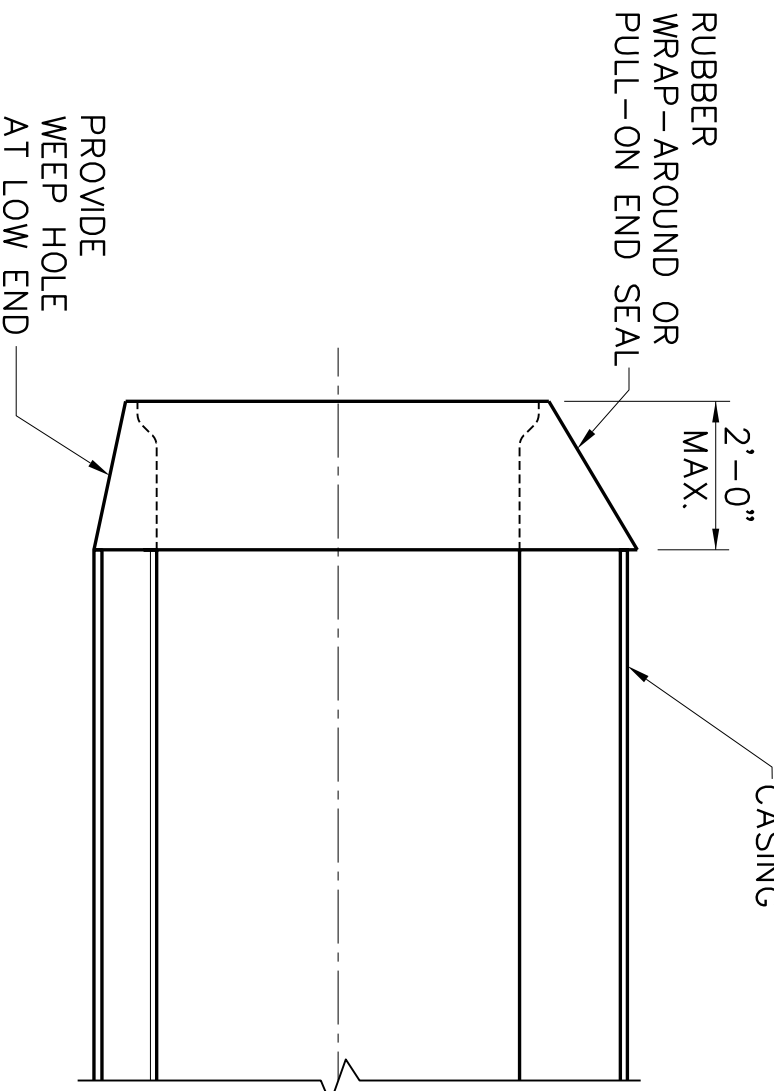
Date: Jul 17, 2007 - 2:10pm User: dlm File: N:\Record\CV-ROK-DT-DTLS04.dwg



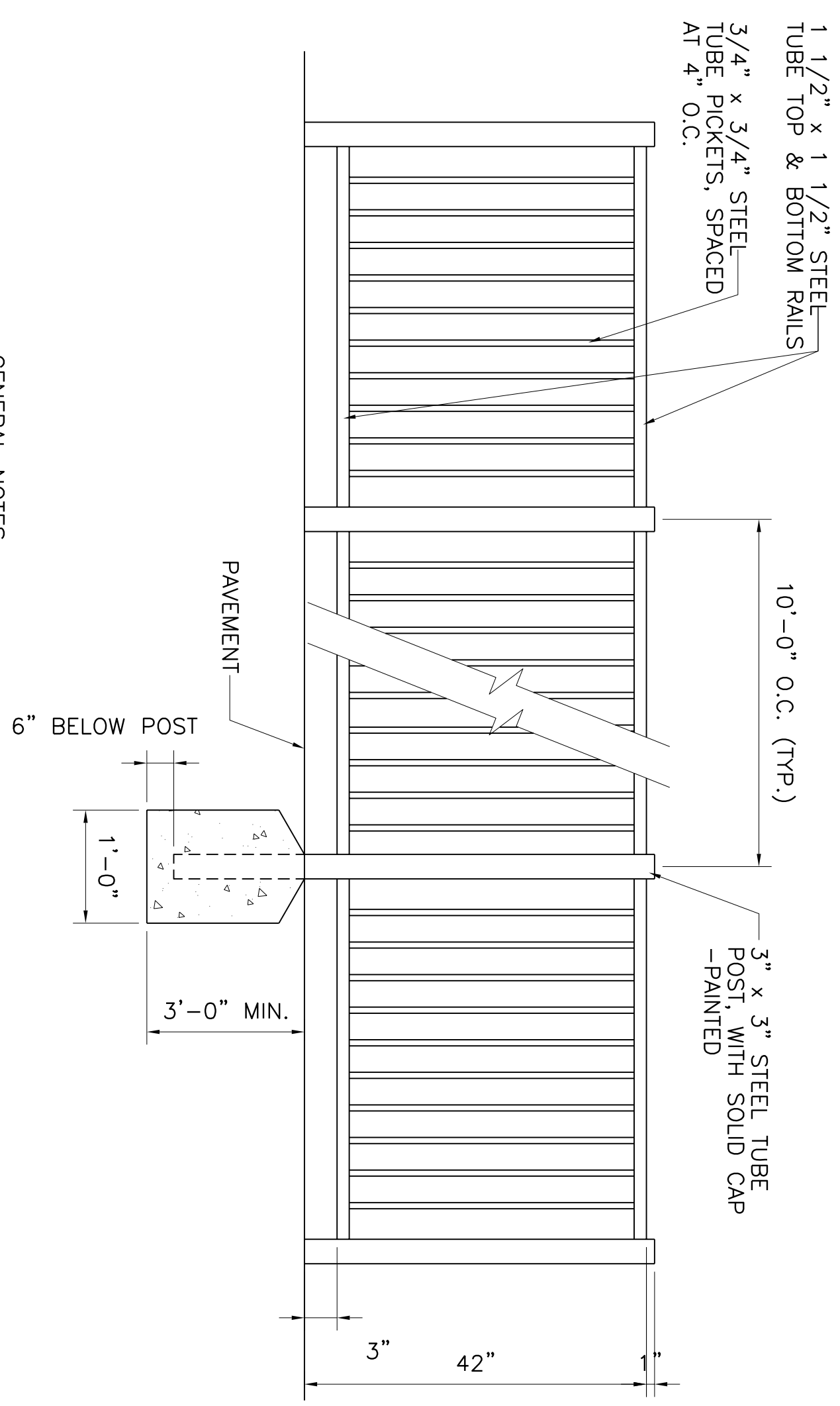
1 RIP RAP CHANNEL PROTECTION
 NOT TO SCALE



3 ASPHALT CURB DETAIL
 NOT TO SCALE

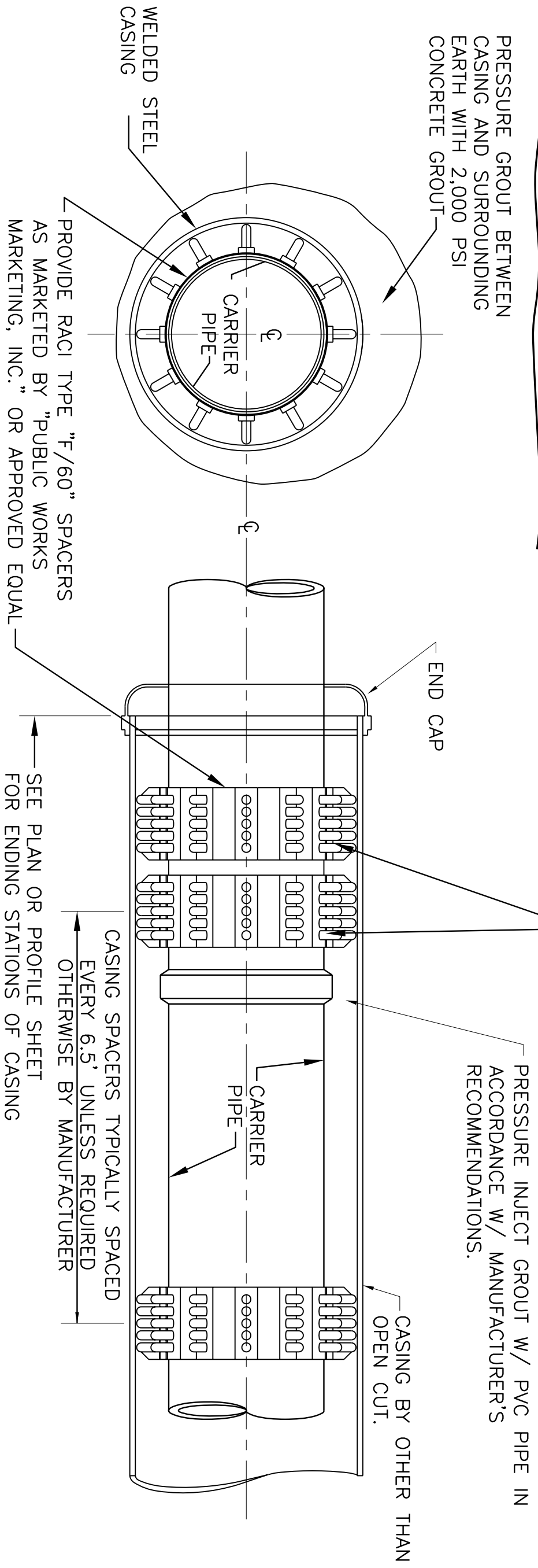


4 TYPICAL END SEAL
 NOT TO SCALE



2 PEDESTRIAN HANDRAIL ELEVATION
 NOT TO SCALE

- GENERAL NOTES
1. PROVIDE A MINIMUM OF 2 INCHES CLEAR CONCRETE COVER ON REINFORCING FOR TOP SURFACE OF INLET AND MANHOLE COVERS.
 2. PROVIDE A MINIMUM OF 1-1/2 INCHES OF CLEAR CONCRETE COVER ON REINFORCING FOR INLET AND MANHOLE WALLS AND BASES.
 3. TRIM STEEL TO CLEAR PIPE AT OUTLET.
 4. ALL SD STRUCTURES SHALL BE CONSTRUCTED OF 4200 P.S.I. CONCRETE. CONCRETE SHALL CONTAIN 6 SACKS OF CEMENT AND 6.5 SACKS FOR HANDWORKED AREAS.



CASING SIZE	STEEL WALL THICKNESS
16"	0.0889 IN.

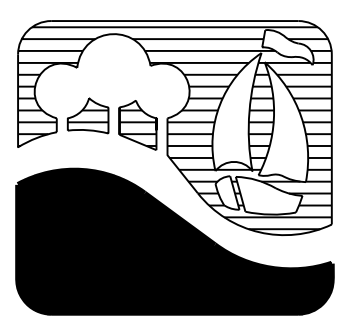
5 TYPICAL CASING DETAIL
 NOT TO SCALE

This Record Drawing is a combination of the sealed engineering contract drawings for this project, modified by information furnished by the contractor during construction. The original sealed drawings are on file at the offices of
FREESSE AND NICHOLS, INC.
 4055 INTERNATIONAL PLAZA, SUITE 200
 FORT WORTH, TEXAS 76109-4699
 (817) 735-7200
 RECORD DRAWINGS PREPARED ON:
 7/13/2007

THE SEAL THAT ORIGINALLY APPEARED ON THIS DOCUMENT WAS AUTHORIZED BY T.E.D. B. SINGH P.E. TEXAS NO. 82275 ON 7/13/2007. ALTERATION OF A SEALED DOCUMENT WITHOUT PROPER NOTIFICATION OF THE RESPONSIBLE ENGINEER IS AN OFFENSE UNDER THE TEXAS ENGINEERING PRACTICE ACT.

Freese and Nichols
 1701 N. Market Street, Suite 500, LB 51
 Dallas, Texas 75202-2001
 Phone - (214) 920-2500
 Fax - (214) 920-2565

CITY OF ROCKWALL, TEXAS
ROSS STREET REHABILITATION AND DRAINAGE IMPROVEMENTS
PAVING AND STORM DRAIN DETAILS



SHEET DT-1	NO.	ISSUE	BY	DATE	F&N JOB NO. ROK05274
	0				DATE 3/01/2006
					DESIGNED RAW
					DRAWN NO/EAM
					REVISED NO
				CHECKED RAW	FILE NAME CV-ROK-DT-DTLS04.dwg

VERIFY SCALE 1 Bar is one inch on original drawing. If not one inch on this sheet, adjust scale.