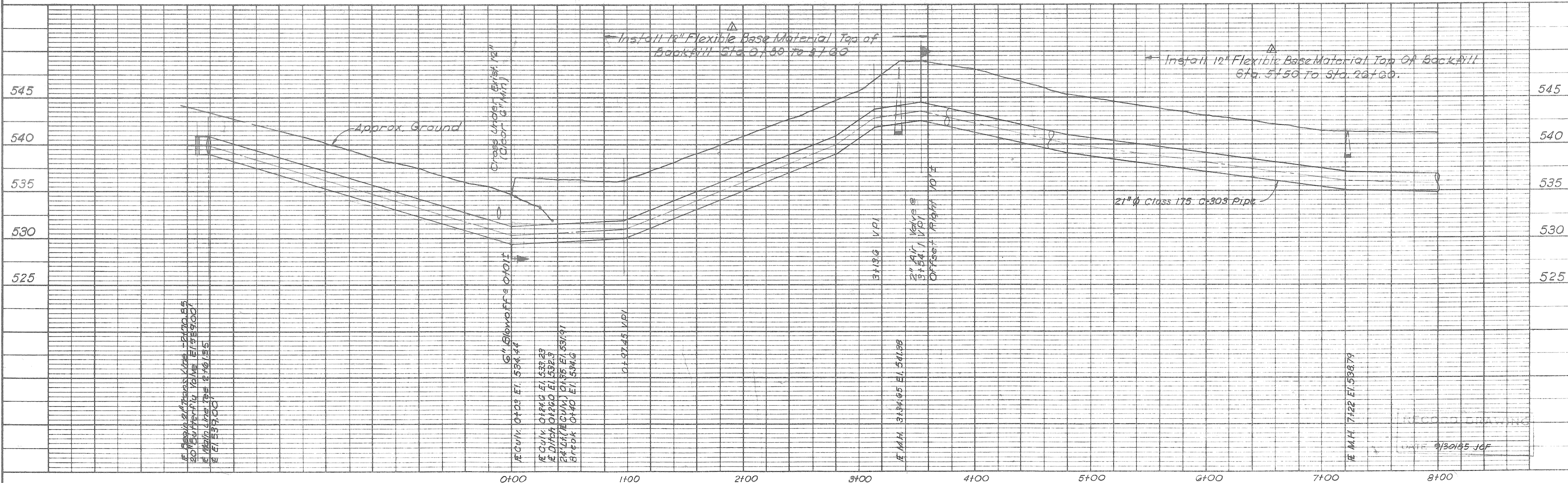
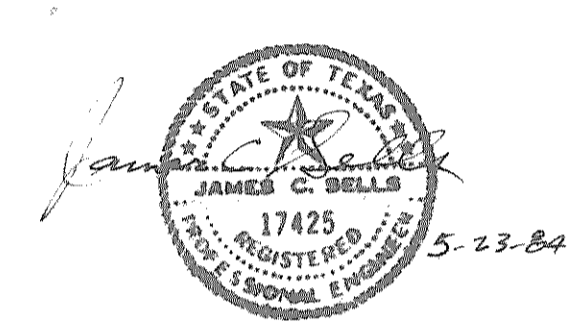
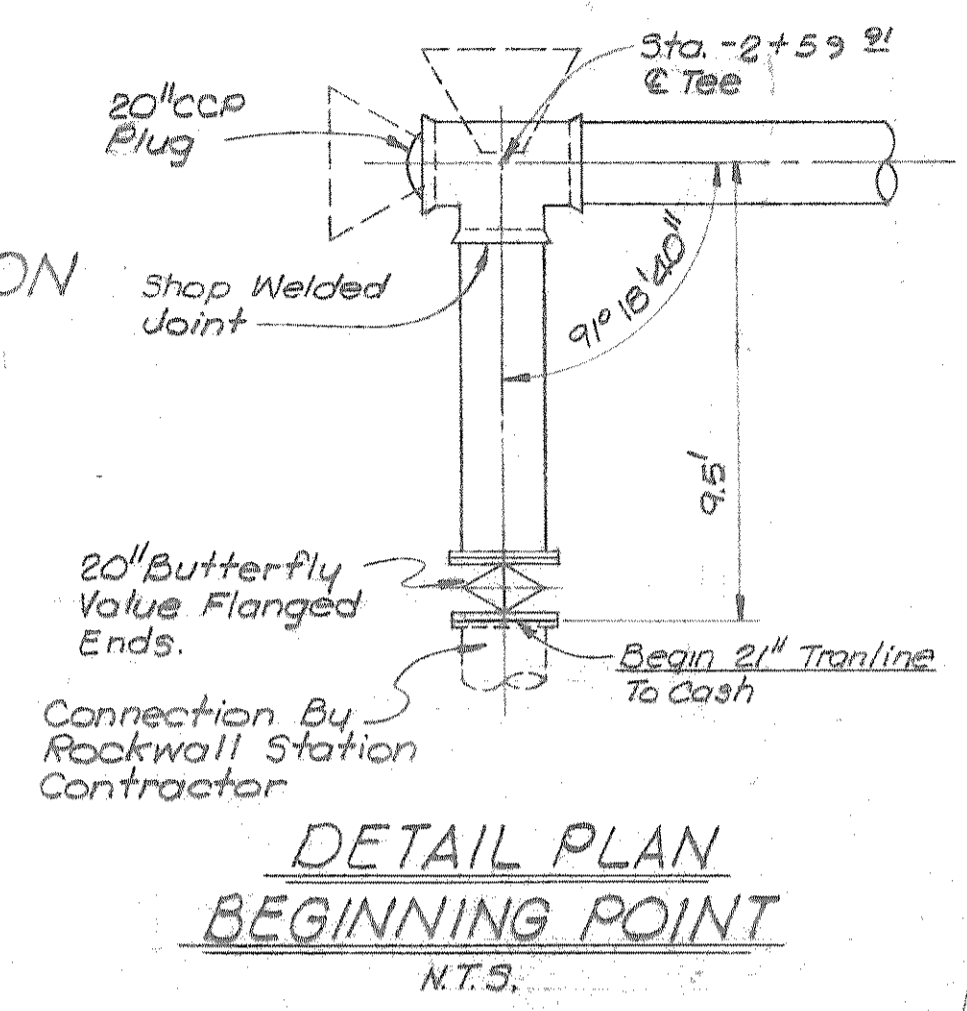
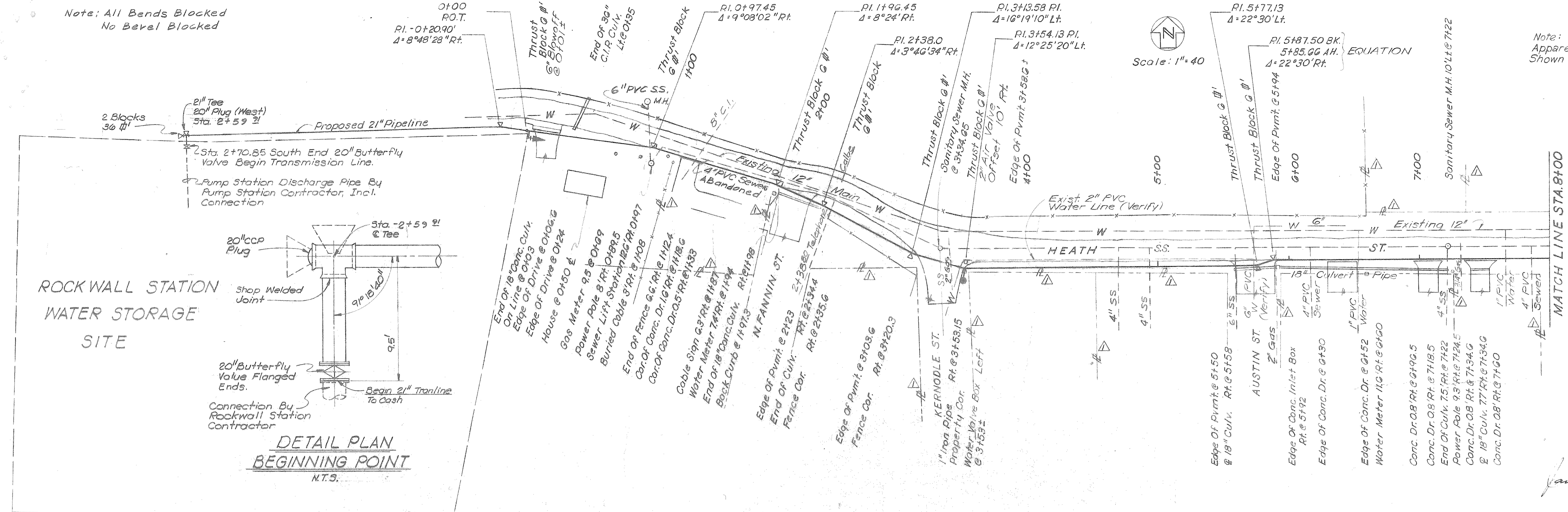


Note: All Bends Blocked
No Bevel Blocked

Note:
Apparent Property Lines
Shown Thus



7-9-84 7-2-84 DATE	DESIGNED DRAWN TRACED CHECKED	J.C.S. J.C.S. J.C.S. T.A.R.	JOB NO. DATE SCALE	NTD 830998 1984 AS SHOWN	FRESE AND NICHOLS, INC. CONSULTING ENGINEERS FORT WORTH-AUSTIN, TEXAS	NORTH TEXAS MUNICIPAL WATER DISTRICT WATER TRANSMISSION SYSTEM	ROCKWALL STATION TO CASH PIPELINE PLAN AND PROFILE	SHEET 2 OF 11
--------------------------	--	--------------------------------------	--------------------------	--------------------------------	---	---	---	------------------