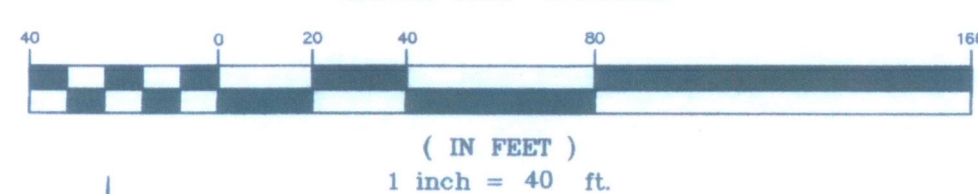


GRAPHIC SCALE



CURVE	RADIUS	LENGTH	TANGENT	CHORD	DELTA
CRV. 1	20.00'	31.42'	20.00'	28.28'	90°00'00"
CRV. 2	15.00'	23.56'	15.00'	21.21'	90°00'00"
CRV. 3	10.00'	15.45'	10.00'	13.96'	88°32'43"
CRV. 4	10.00'	15.96'	10.26'	14.32'	91°27'17"
CRV. 5	10.00'	15.71'	10.00'	14.14'	90°00'00"
CRV. 6	20.00'	31.42'	20.00'	28.28'	90°00'00"
CRV. 7	20.00'	31.47'	20.08'	28.32'	90°09'34"
CRV. 8	27.00'	42.44'	27.03'	38.20'	90°03'48"
CRV. 9	31.00'	48.73'	31.03'	43.86'	90°03'48"

CONST. 525 SQ. YDS. OF 6" THK. 3500 P.S.I. REINF. CONC. PAVING

CONST. 6"x24" SEPARATE CONC. CURB & GUTTER (See Dimension Control for dimensions of curbs.)

CONST. EARTHEN CHANNEL 7.0' WIDE BOTTOM X 2.0' DEEP w/3:1 SIDE SLOPES (See Cross Sections Sht. 5 for Details of Channel)

CONST. 10'x30' 6" THK. 3500 P.S.I. REINF. CONC. DUMPSTER PAD (33 SQ. YDS.)

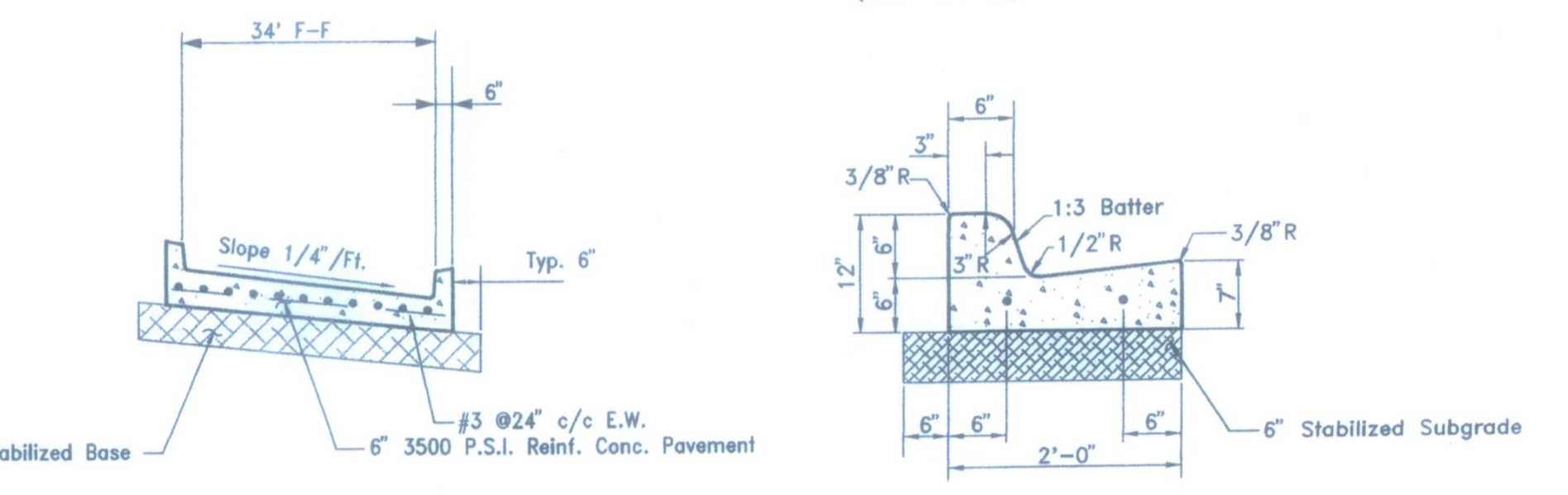
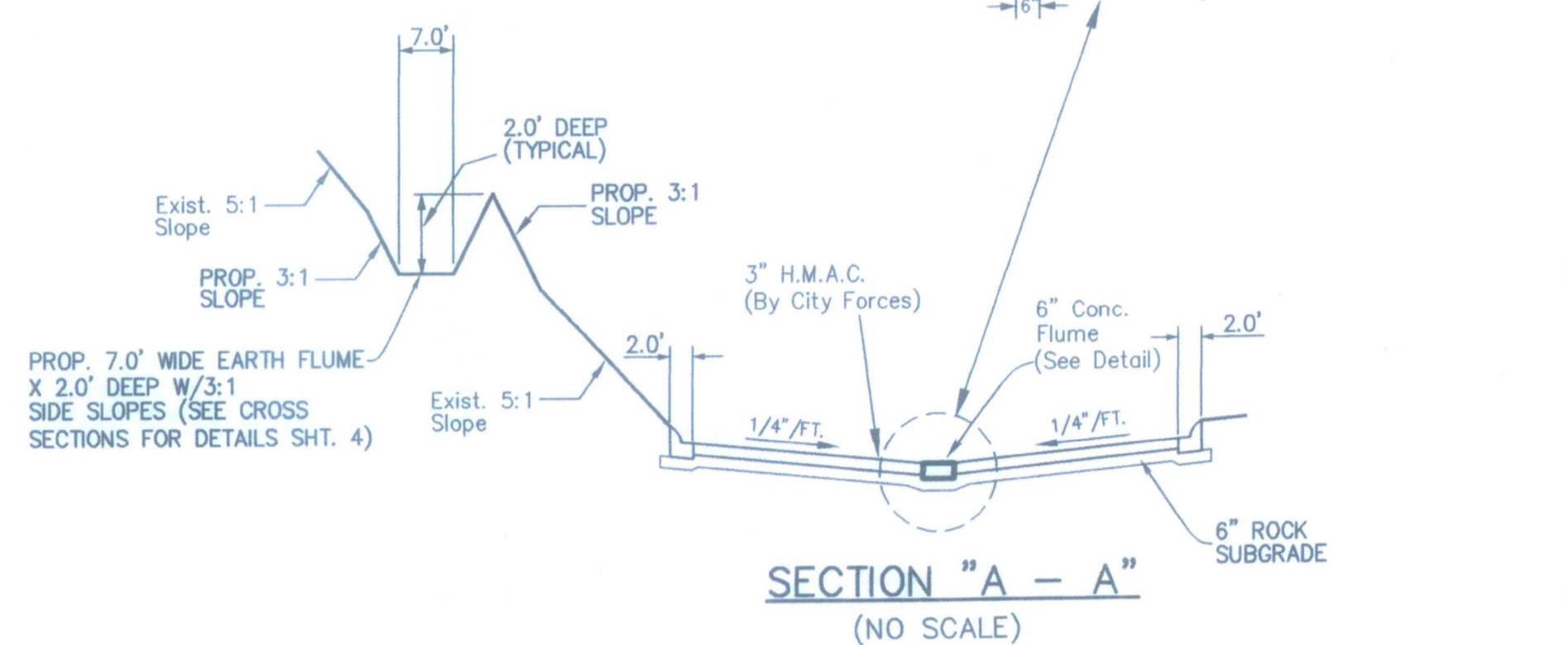
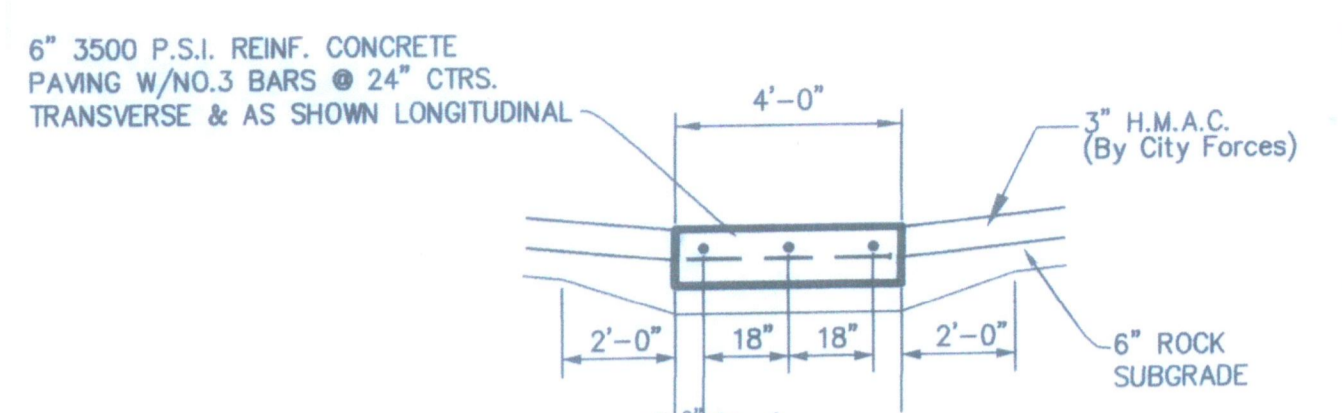
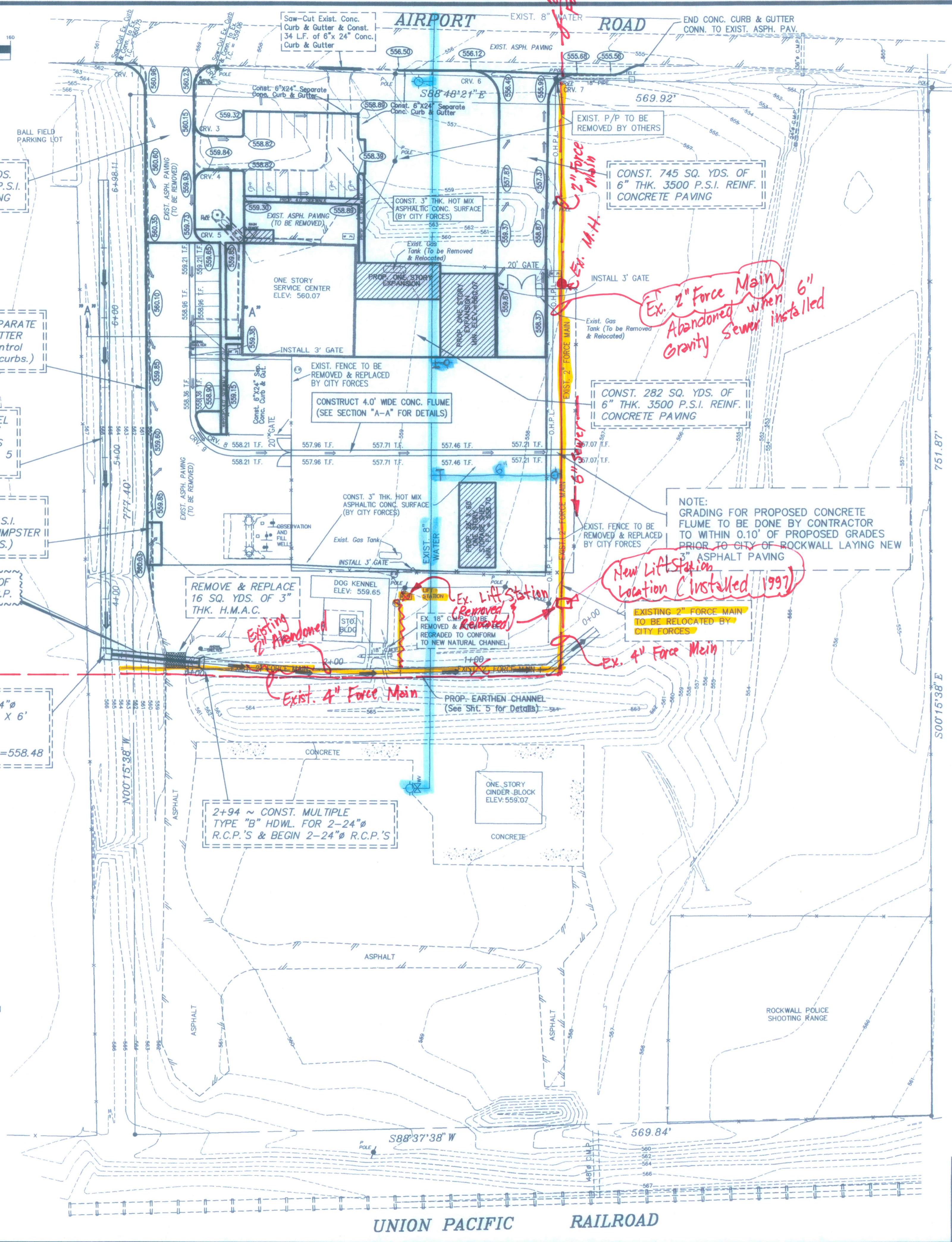
INST. 123 L.F. OF 24" CL. III R.C.P.

3+61.28 ~ END 2-24" R.C.P.'S & CONST. 6' X 6' TYPE "Y" INLET TOP=564.72; THROAT=562.72; F.L.=558.48

2+94 ~ CONST. MULTIPLE TYPE "B" HDWL. FOR 2-24" R.C.P.'S & BEGIN 2-24" R.C.P.'S

LEGEND

- 559.03 PROPOSED TOP OF CURB ELEVATION
- 557.96 T.F. PROPOSED TOP OF FLUME ELEVATION



TYPICAL CONCRETE PAVING SECTION (NO SCALE)

SEPARATE CURB & GUTTER SECTION (NO SCALE)

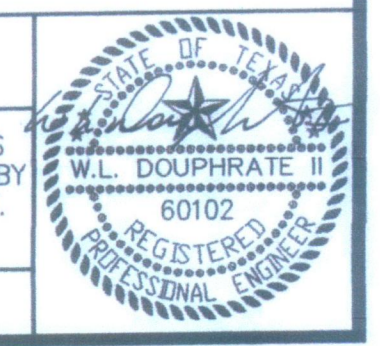
CIVIL ENGINEERING QUANTITY TAKEOFF

1. Install 6" Thk. 3500 P.S.I. Concrete Paving - 1303 sq. yds.
2. Install 4.0' Wide x 6" Thk. 3500 P.S.I. Concrete Flume - 414 Lin. Ft.
3. Install 6" x 24" Separate Concrete Curb & Curb - 713 Lin. Ft.
4. Concrete Sidewalk - 1885 Sq. Ft.
5. Excavation of Earthen Drainage Channel (7.0' wide bottom w/3:1 side slopes/ Average 2.0' Deep) - 1482 Cu. Yds.
6. Compacted Fill for Earthen Drainage Channel - 880 Cu. Yds.
7. Construct Multiple Type "B" Headwall for 2 - 24" R.C.P.'s - 1 Each
8. Install 24" Dia. Cl. III R.C.P. - 123 Lin. Ft.
9. Construct 6'x6' Drop Inlet w/18" Opening - 1 Each
10. Remove & Replace 3" Thk. Hot Mix Asphaltic Concrete Paving - 16 Sq. Yds.
11. Existing Concrete Curb & Gutter to be removed and disposed of - 810 Lin. Ft.

GRADING PLAN
ROCKWALL SERVICE CENTER
ROCKWALL, TEXAS
 CITY OF ROCKWALL
 "THE NEW HORIZON"

DESIGNED: B.W.H.	THE SEAL APPEARING ON THIS DOCUMENT WAS AUTHORIZED BY W.L. DOUPHRAITE II TEXAS P.E. NO. 60102 ON 11/12/96
DRAWN: ACAD	DATE: 5/3/96
JOB NO.	SHEET NO. 2 of 5

REVISION NO.	REMARKS	DATE
1	CHANGED LAYOUT OF PROP. BLDGS. & MOVED FENCE OVER 20'	7/9/96
2	CHANGED FENCE LAYOUT & ADDED ADDITIONAL SIDEWALKS	10/16/96
3	ADDED PAVING & CURB DETAILS	11/12/96



UNION PACIFIC RAILROAD