

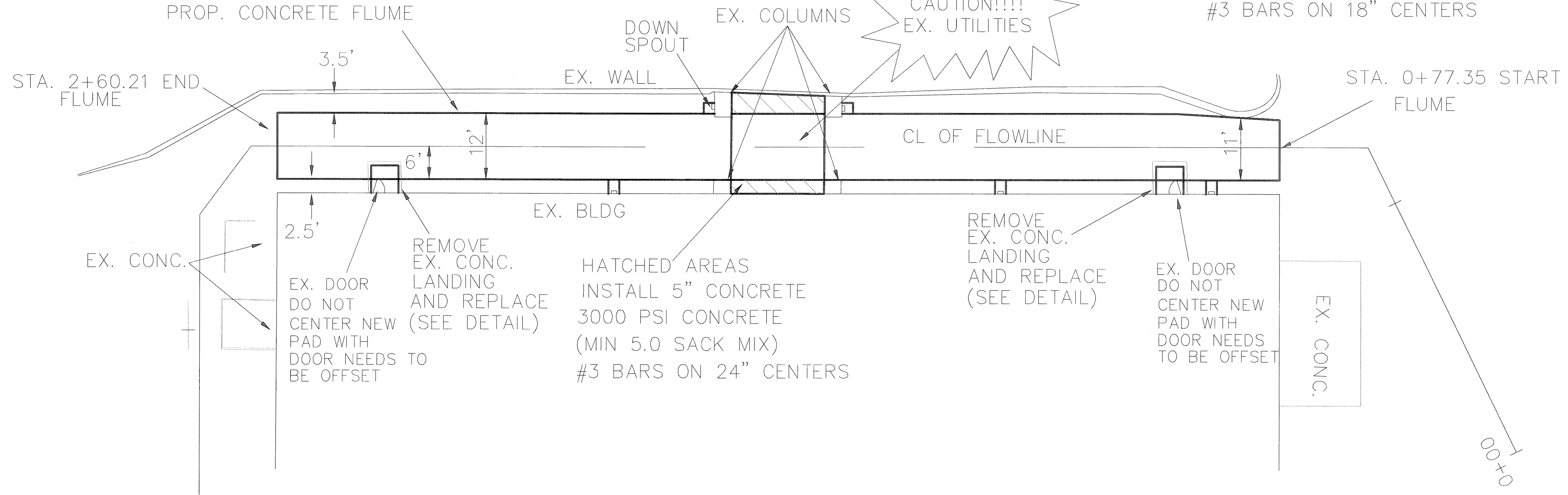
SCALE 1"=10'

BUILDING SLAB

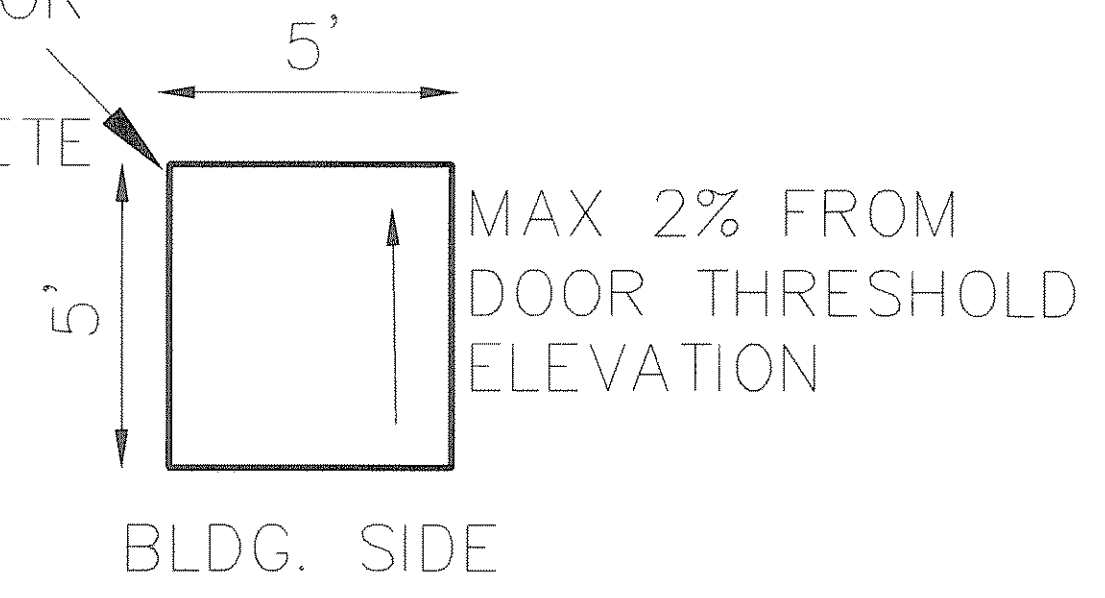
GROUND SLOPE
MAX 3:1

EXIST. WALL
GROUND SLOPE
MAX 3:1

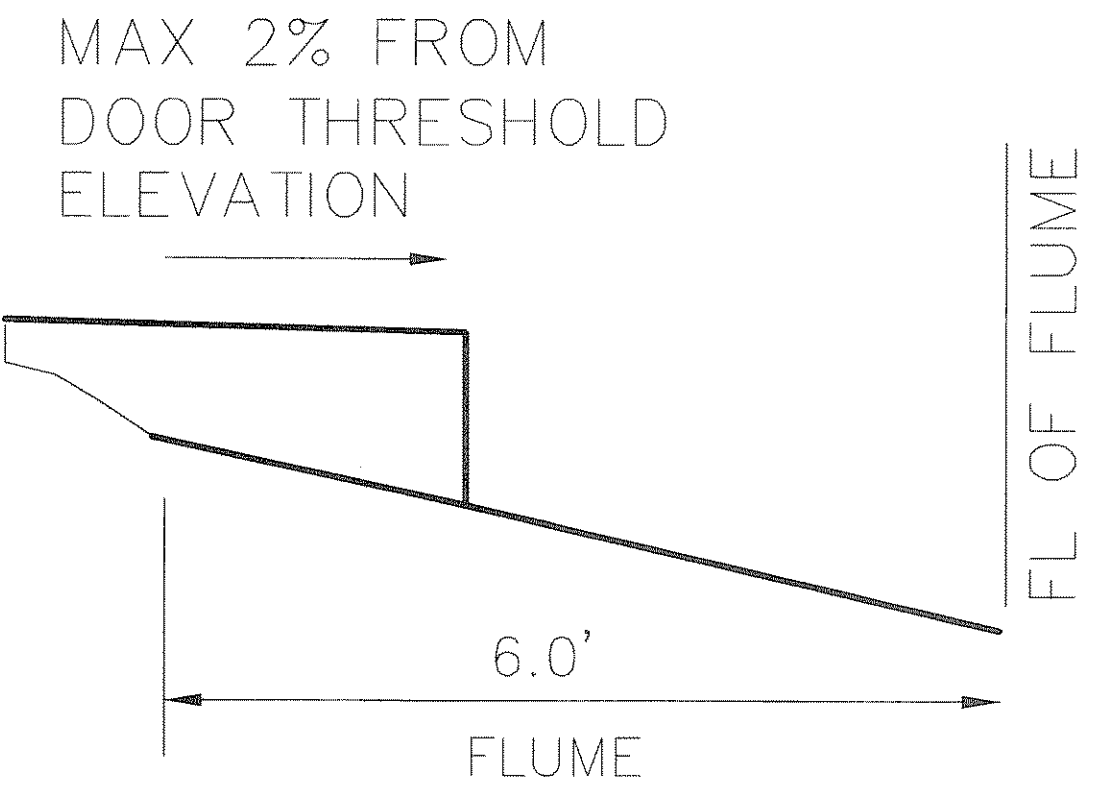
PROPOSED FLUME
6" 3600 PSI CONCRETE
(MIN 6.5 SACK MIX)
#3 BARS ON 18" CENTERS



PROPOSED LANDINGS
OUTSIDE TWO EXTERIOR
DOORS
5" 3000 PSI CONCRETE
(MIN 5.0 SACK MIX)



DETAIL OF CONCRETE LANDINGS
NTS



DRAINAGE FLUME		
CITY HALL		
ROCKWALL, TEXAS		
CITY OF ROCKWALL		
"THE NEW HORIZON"		
DESIGNED: A.W.	THE SEAL APPEARING ON THIS DOCUMENT WAS AUTHORIZED BY AMY JO WILLIAMS TEXAS P.E. NO. 99406 ON	
DRAWN: ACAD	DATE: MAY 08	SHEET 3
CITY HALL.DWG		

REVISION NO.	REMARKS	DATE