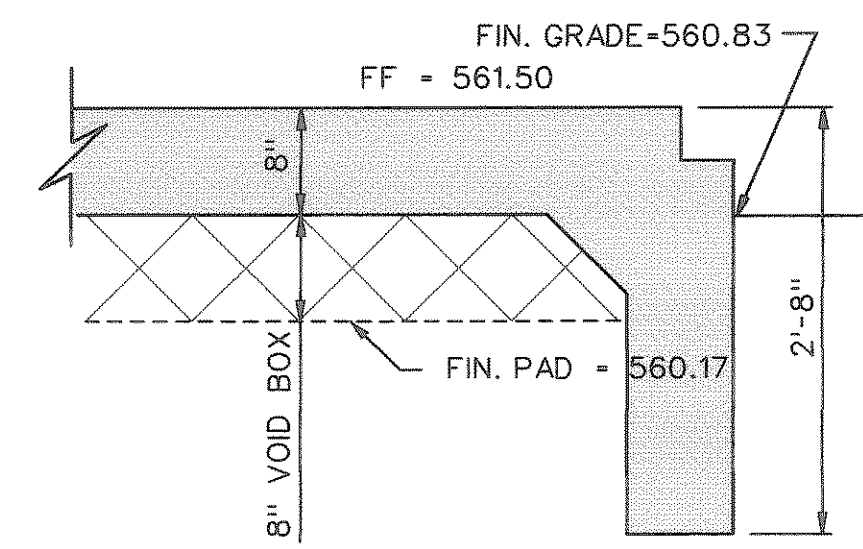


NOTE:  
CONTRACTOR SHALL FIELD VERIFY THE LOCATION AND DEPTH OF ALL EXISTING UTILITIES (SHOWN ON PLANS OR NOT) PRIOR TO CONSTRUCTION. IF FIELD CONDITIONS DIFFER SIGNIFICANTLY FROM LOCATIONS SHOWN ON PLANS, THE CONTRACTOR SHALL CONTACT THE ENGINEER PRIOR TO PROCEEDING WITH CONSTRUCTION. R-DELTA ENGINEERS, INC. WILL NOT BE RESPONSIBLE FOR ANY WORK BY THE CONTRACTOR NEGLECTING TO LOCATE THESE UTILITIES.



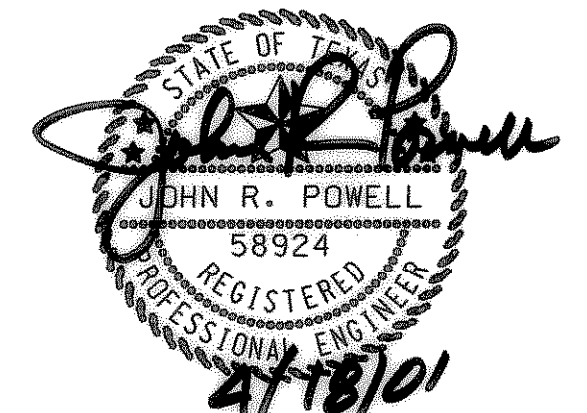
- LEGEND:**
- TS TOP OF SURFACE ELEVATION
  - TC TOP OF CURB ELEVATION
  - FF FINISHED FLOOR
  - FP FINISHED PAD
  - X SPOT ELEVATION
  - NG NATURAL GROUND
  - TW TOP OF RET. WALL
  - RB ROCK FILTER BERM
  - SF SILT FENCE
  - EAW EMERGENCY/ACCESS WAY



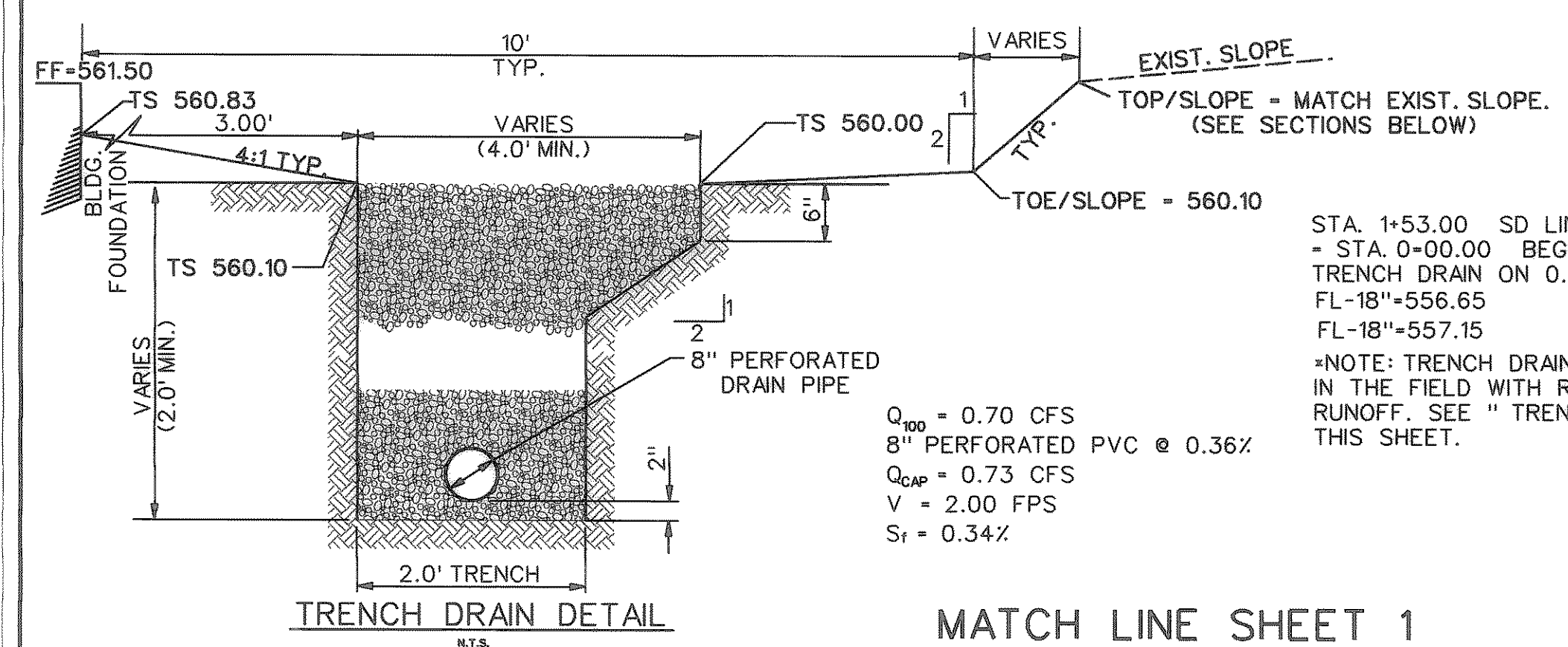
**FOUNDATION SECTION A-A**  
N.T.S.  
(SEE ARCHITECT'S PLANS)

**BENCHMARK:**  
FOUND GENERALLY AT THE NORTHWEST CORNER OF S. ALAMO ST. AND WEST WASHINGTON ST. AND LOCATED 4.60' EAST OF THE BACK OF THE CURB ALONG WEST SIDE OF S. ALAMO ST. CITY OF ROCKWALL SURVEY MONUMENT R012 ELEV. = 594.25

104-02-01: ADD MONITORING WELL NOTE



THE SEAL APPEARING ON THIS DOCUMENT WAS AUTHORIZED BY JOHN R. POWELL, P.E. 58924 ON FEBRUARY 12, 2001. ALTERATION OF A SEALED DOCUMENT WITHOUT PROPER NOTIFICATION TO THE RESPONSIBLE ENGINEER IS AN OFFENSE UNDER THE TEXAS ENGINEERING PRACTICE ACT.



**TRENCH DRAIN DETAIL**  
N.T.S.

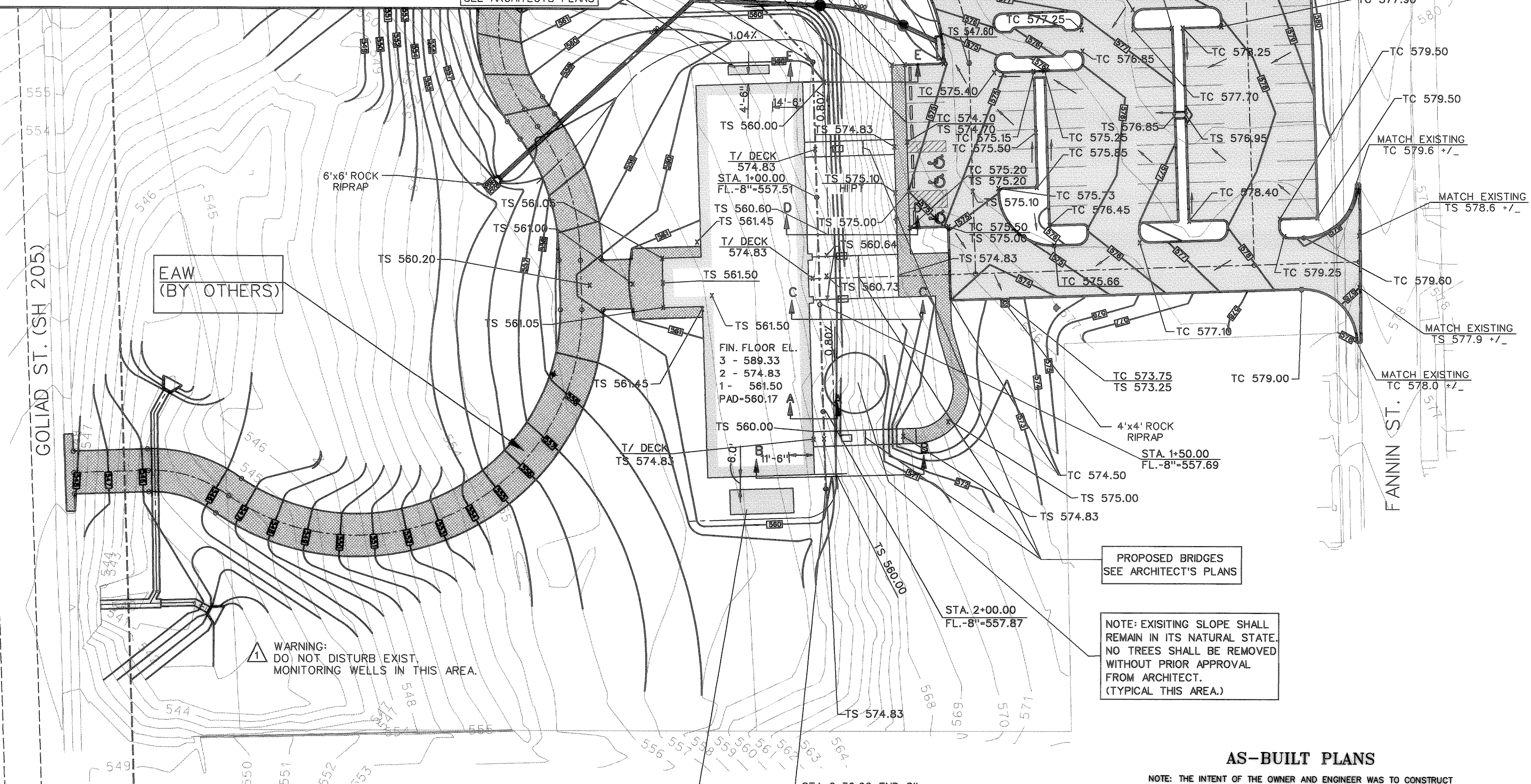
STA. 1+53.00 SD LINE B-2  
- STA. 0+00.00 BEGIN 8" TRENCH DRAIN ON 0.36% SLOPE.  
FL-18"-556.65  
FL-18"-557.15  
NOTE: TRENCH DRAIN SHALL BE LOCATED IN THE FIELD WITH RESPECT TO ROOF RUNOFF. SEE "TRENCH DRAIN DETAIL" THIS SHEET.

**MATCH LINE SHEET 1**

PROPOSED BY TXDOT

GOLIAD ST. (SH 205)

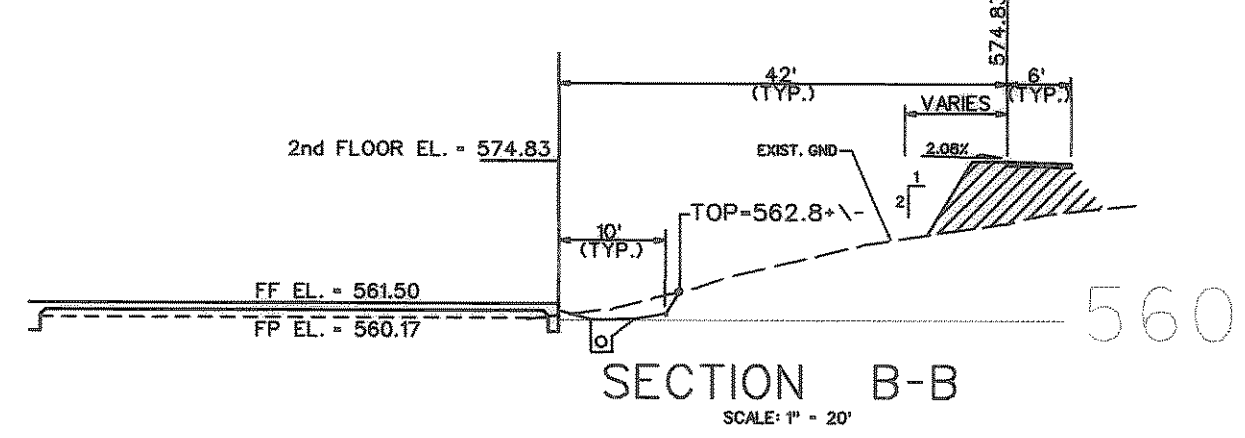
FANNIN ST.



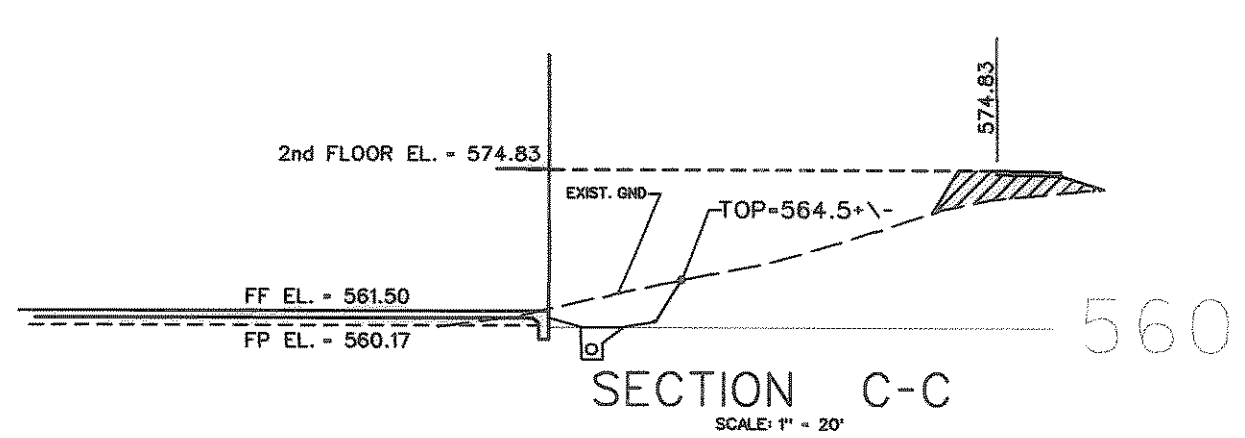
NOTE: EXISTING SLOPE SHALL REMAIN IN ITS NATURAL STATE. NO TREES SHALL BE REMOVED WITHOUT PRIOR APPROVAL FROM ARCHITECT. (TYPICAL THIS AREA.)

**AS-BUILT PLANS**

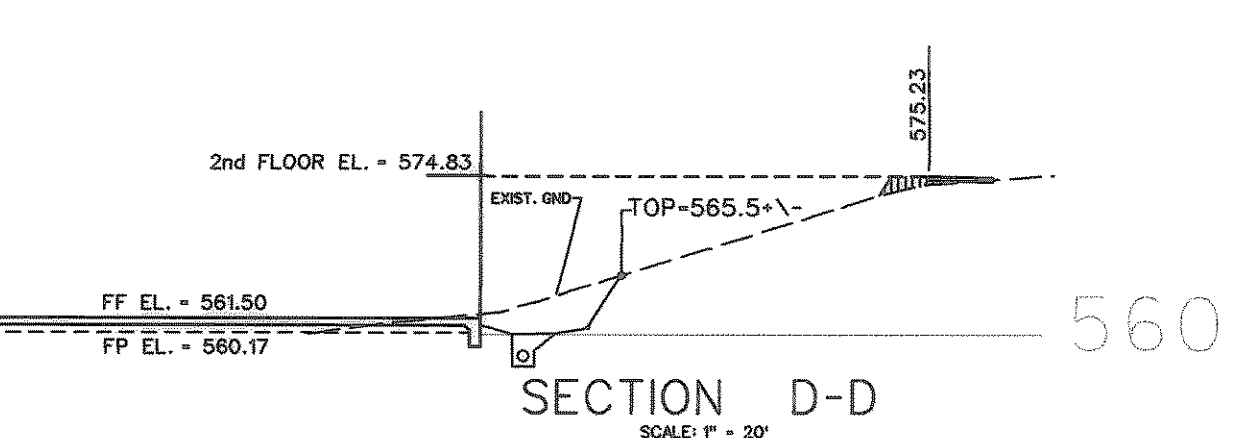
NOTE: THE INTENT OF THE OWNER AND ENGINEER WAS TO CONSTRUCT THESE IMPROVEMENTS IN ACCORDANCE WITH THESE PLANS AS SET ON THE GROUND FOR CONSTRUCTION ACCORDING TO SAID PLANS AND THE CITY OF ROCKWALL INSPECTED THE CONSTRUCTION. THE OWNER OR ENGINEER DID NOT VERIFY LINES OR GRADES AFTER CONSTRUCTION.



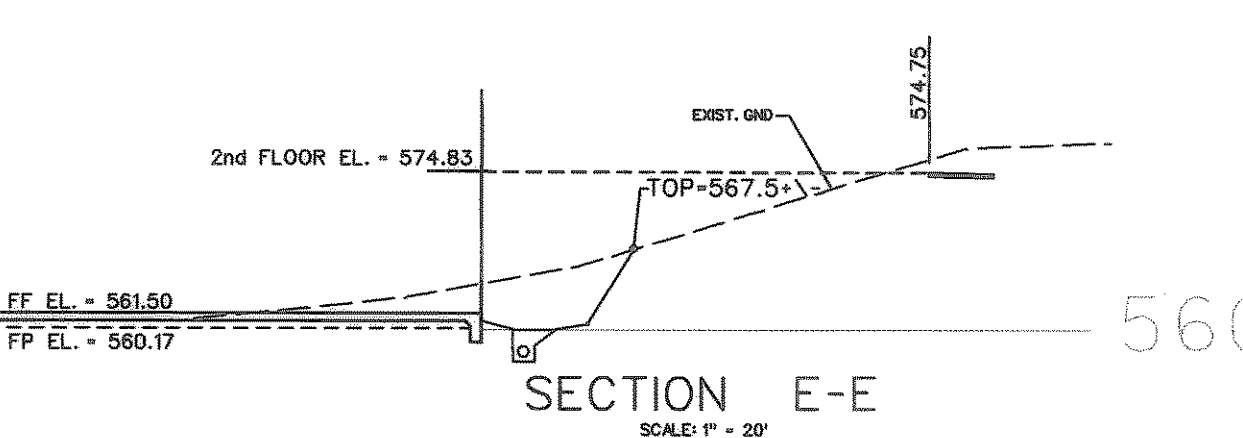
**SECTION B-B**  
SCALE: 1" = 20'



**SECTION C-C**  
SCALE: 1" = 20'



**SECTION D-D**  
SCALE: 1" = 20'



**SECTION E-E**  
SCALE: 1" = 20'

**GRADING PLAN Sheet 2 of 3**

**ROCKWALL CITY HALL COMPLEX**

CITY OF ROCKWALL, TEXAS

R-DELTA ENGINEERS, INC.  
618 MAIN STREET GARLAND, TEXAS 75040  
Phone (972) 494-5051 WWW.RDELTA.COM

DESIGN: JRP/ABF	CHECK: AFB/MDP	SCALE: AS SHOWN	SHEET: C4 OF 13
DATE: FEBRUARY 2001		RDE PROJECT: 98-755	