

NOTE: CONTRACTOR SHALL FIELD VERIFY THE LOCATION AND DEPTH OF ALL EXISTING UTILITIES (SHOWN ON PLANS OR NOT) PRIOR TO CONSTRUCTION. IF FIELD CONDITIONS DIFFER SIGNIFICANTLY FROM LOCATIONS SHOWN ON PLANS, THE CONTRACTOR SHALL CONTACT THE ENGINEER PRIOR TO PROCEEDING WITH CONSTRUCTION. R-DELTA ENGINEERS, INC. WILL NOT BE RESPONSIBLE FOR ANY WORK BY THE CONTRACTOR NEGLECTING TO LOCATE THESE UTILITIES.

NOTE: FH COLOR  
FH TOPS SHALL BE  
COLOR CODED PER  
MAIN CONNECTED TO  
6" LINE - SILVER  
8" LINE - BLUE  
10" LINE - YELLOW

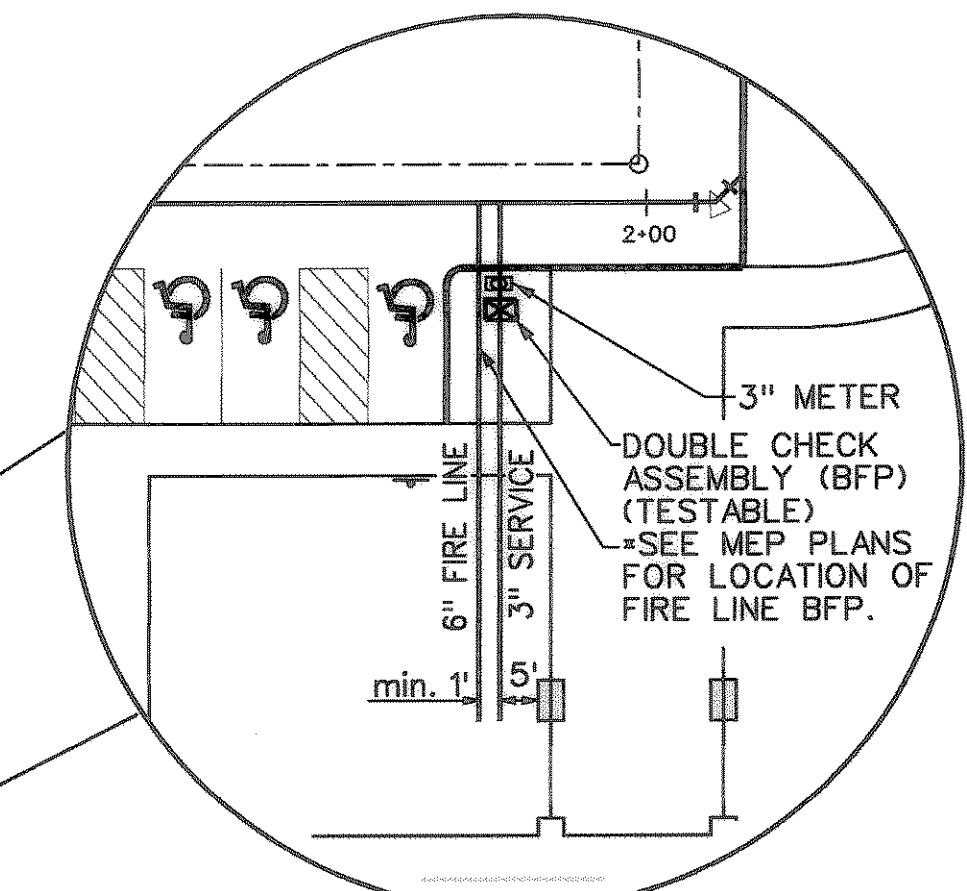
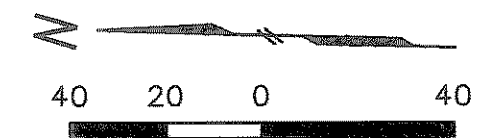
NOTE: EMS  
A BLUE EMS LOCATOR PAD  
WILL BE LOCATED IN THE  
CENTERLINE OF STREET  
AT EACH HYDRANT.

NOTE: VALVE BOX PADS  
ALL VALVE BOXES SHALL BE ENCASED  
IN A 12"x12"x6" THICK CONCRETE PAD  
AND REINFORCED WITH No.3 STEEL BARS.

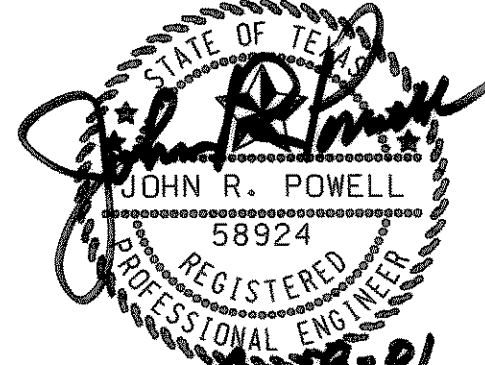
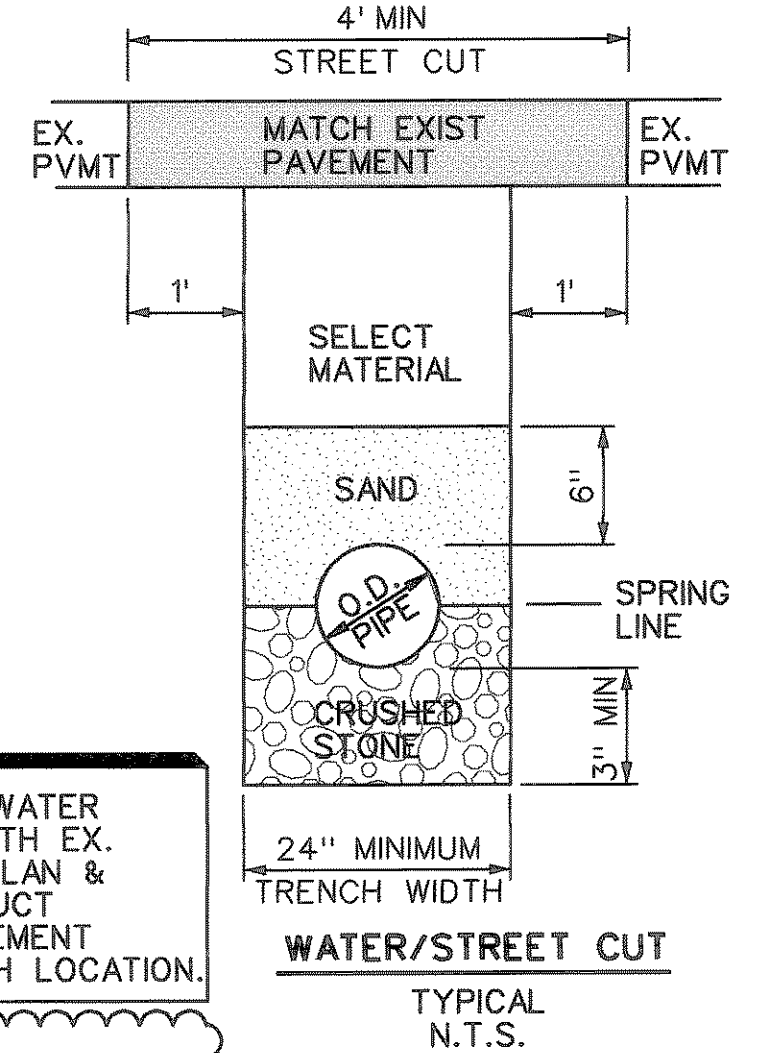
**FIRE HYDRANT LOCATION**  
N.T.S.

STA. 0+00 - LINE B  
INSTALL:  
1- 6"x 6" TEE  
1- 6" GATE VALVE  
1- 8"x 6" REDUCER  
N: 5198.13  
E: 5138.03

EXIST. 6" WATER - CONTRACTOR  
SHALL VERIFY LOCATION



- NOTES:
- 1) PROPOSED WATER MAINS SHALL BE AWWA C900, PVC PRESSURE PIPE, PC 200.
  - 2) EMBEDMENT FOR WATER MAIN SHALL BE CLASS III UNLESS OTHERWISE NOTED.
  - 3) ALL WATER MAINS SHALL HAVE A 4' MINIMUM COVER.
  - 4) ALL FITTINGS SHALL BE INSTALLED WITH MEGA-LUG RESTRAINTS, OR APPROVED EQUAL, AT ALL HORIZONTAL CHANGES IN DIRECTION OF 45° OR GREATER AND AT ALL VERTICAL CHANGES THAT REQUIRE A BEND. THE RESTRAINTS SHALL BE PLACED AT THE BEND AND AT THE NEXT PIPE IN EACH DIRECTION FROM THE BEND.
  - 5) EVERY WATER PIPE BEND SHALL BE MARKED AND LOCATED AT THE P.I. POINT WITH AN EMS LOCATOR PAD.



THE SEAL APPEARING ON THIS DOCUMENT WAS AUTHORIZED BY JOHN R. POWELL, P.E. 58924, ON FEBRUARY 12, 2001, ALTERATION OF A SEALED DOCUMENT WITHOUT PROPER NOTIFICATION TO THE RESPONSIBLE ENGINEER IS AN OFFENSE UNDER THE TEXAS ENGINEERING PRACTICE ACT.

04-02-01: MODIFY WTR LINE PER PRE-CONSTRUCTION MTG.

**WATER MAIN LAYOUT**  
**ROCKWALL CITY HALL COMPLEX**  
CITY OF ROCKWALL, TEXAS

R-DELTA ENGINEERS, INC.  
618 MAIN STREET GARLAND, TEXAS 75040  
Phone: (972) 494-5031 WWW.RDELTA.COM

DESIGN: JRP/MDP	CHECK:	SCALE: AS SHOWN	SHEET
DRAWN: MDP	DATE: FEBRUARY 2001	RDE PROJECT: 98-755	C10 OF 13

CENTER ONE JOINT OF WATER PIPE OVER CROSSING WITH EX. SAN. SWR. LINE. SEE S.S. PLAN & PROFILE SHEET. CONSTR. 10 L.F. OF CONC. ENCASEMENT ON WATER LINE AT EACH LOCATION

INSTALL:  
30 L.F. 10" WATER

EXIST. 8" WATER - CONTRACTOR SHALL VERIFY LOCATION

STA. 11+04.26 - LINE A  
INSTALL:  
1- 8"x 8" TEE  
N: 5940.46  
E: 4724.08  
1- 8" GATE VALVE  
1- 10"x 8" REDUCER

STA. 0+48.528 - LINE C  
TOP 10" WATER WITH 2" WATER SERVICE  
INSTALL:  
95 L.F. 2" WATER SERVICE AND A STD. SERVICE METER BOX & DBL. CHK. ASSEMBLY

CENTER ONE JOINT OF WATER PIPE OVER CROSSING WITH EX. SAN. SWR. LINE. SEE S.S. PLAN & PROFILE SHEET. CONSTR. 10 L.F. OF CONC. ENCASEMENT ON WATER LINE AT EACH LOCATION

INSTALL:  
212 L.F. 10" WATER

STA. 1+91.41 - LINE C  
INSTALL:  
1- 10" GATE VALVE  
N: 5903.61  
E: 4533.52

STA. 2+11.63 - LINE C  
INSTALL:  
1- 10" PLUG @ R.O.W.  
N: 5902.96  
E: 4513.56

STA. 10+73.62 - LINE A  
= STA. 0+00 - LINE C  
INSTALL:  
1- 10"x 10" TEE  
N: 5909.83  
E: 4725.08  
1- 10" GATE VALVE

INSTALL:  
142 L.F. 10" WATER

STA. 9+31.57 - LINE A  
INSTALL:  
1- 10"x 6" TEE  
1- 6" GATE VALVE  
9 L.F. 8" WATER  
1- 6" 90° BEND RT.  
1- STD. FIRE HYDRANT

INSTALL:  
118 L.F. 10" WATER

STA. 4+09.23 LINE B  
INSTALL:  
1- 8"x 6" TEE  
1- 6" GATE VALVE  
44.7 L.F. 6" WATER  
1- STD. FIRE HYDRANT

INSTALL:  
98 L.F. 8" WATER

STA. 4+69.16 - LINE B  
INSTALL:  
1- 8" 45° BEND  
N: 5450.33  
E: 4873.57

INSTALL:  
204 L.F. 10" WATER

STA. 3+71.39 - LINE B  
INSTALL:  
1- 8" 45° BEND  
N: 5383.48  
E: 4944.91  
1- 8" GATE VALVE

INSTALL:  
134 L.F. 8" WATER

TOP PROP. 8" WTR. = 560.2; CONSTR. 15 L.F. CONC. ENCASEMENT  
TOP PROP. 10" WTR. = 559.2; CONSTR. 15 L.F. CONC. ENCASEMENT

INSTALL:  
297 L.F. 10" WATER

STA. 6+09.54 - LINE A  
= STA. 6+02.66 - LINE B  
INSTALL:  
1- 10"x 8" CROSS  
N: 5445.99  
E: 4740.14  
1- 10" GATE VALVE (N)  
2- 8" GATE VALVE (E&W)  
20 L.F. 8" WATER  
1- 8" PLUG

INSTALL:  
137 L.F. 10" WATER

STA. 2+22.36  
INSTALL:  
1- 10" 45° BEND  
N: 5083.45  
E: 4687.84

INSTALL:  
137 L.F. 10" WATER

TOP PROP. 10" WTR. = 538.5; CONSTR. 15 L.F. CONC. ENCASEMENT

TOP PROP. 10" WTR. = 539.4; CONSTR. 15 L.F. CONC. ENCASEMENT

STA. 0+00 - LINE "A"  
REMOVE & SALVAGE EX. 8" PLUG  
CONNECT TO EXIST. 8" WATER LINE  
INSTALL:  
2- 8" 45° BENDS  
12.73 L.F. 8" WATER LINE  
1- 10"x 8" REDUCER  
N: 5008.64  
E: 4552.71

EXIST. 8" WATER - CONTRACTOR SHALL VERIFY LOCATION

**AS-BUILT PLANS**

NOTE: THE INTENT OF THE OWNER AND ENGINEER WAS TO CONSTRUCT THESE IMPROVEMENTS IN ACCORDANCE WITH THESE PLANS AS APPROVED BY THE CITY OF ROCKWALL. THE UTILITIES AND GRADES WERE SET ON THE GROUND FOR CONSTRUCTION ACCORDING TO SAID PLANS AND THE CITY OF ROCKWALL INSPECTED THE CONSTRUCTION. THE OWNER OR ENGINEER DID NOT VERIFY LINES OR GRADES AFTER CONSTRUCTION.

BENCHMARK:  
FOUND GENERALLY AT THE NORTHWEST CORNER OF S. ALAMO ST. AND WEST WASHINGTON ST. AND LOCATED 4.60' EAST OF THE BACK OF THE CURB ALONG WEST SIDE OF S. ALAMO ST. CITY OF ROCKWALL SURVEY MONUMENT R012 ELEV. = 594.25

NOTE: ALL WATER MAIN AND APPURTENANCES ARE NOT IN THIS CONTRACT AND ARE TO BE INSTALLED BY OTHERS.

WASHINGTON ST  
50' R.O.W.

HOUSTON ST  
NORTH SIDE

SAN JACINTO ST.  
60' R.O.W.

GOLIAD STREET (S.H. 205)

FANNIN STREET

PROPOSED CITY HALL  
FF EL. = 561.5  
F PAD EL. = 560.17

PROP. SENIOR CENTER  
FF EL. = 592.43

CAUTION - EXIST. U.G. GAS

(FUTURE CONNECTION)

WARNING: DO NOT DISTURB EXIST. MONITORING WELLS IN THE AREA

SEE SANITARY SEWER PLAN & PROFILE - LINE B

TOP PROP. 10" WTR. = 561.3; CONSTR. 15 L.F. CONC. ENCASEMENT

N: 5648.74  
E: 4687.46

20' STUBOUT FOR FUTURE W/ 8" PLUG

60' STUBOUT FOR FUTURE W/ 10" PLUG

STA. 0+84.86 - LINE A  
INSTALL:  
1- 10"x 10" TEE  
N: 5078.69  
E: 4541.23  
2- 10" GATE VALVES  
60 L.F. 10" PVC WATER  
1- 10" PLUG

INSTALL:  
71 L.F. 10" WATER