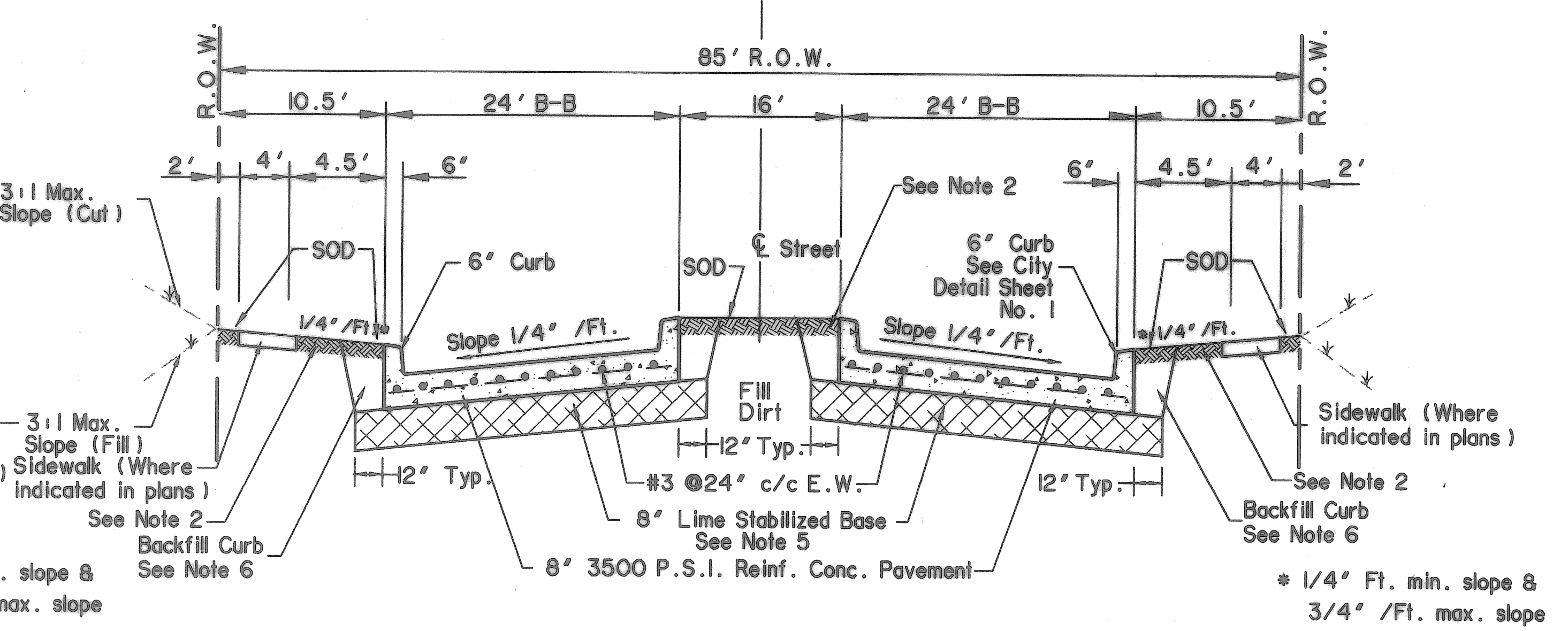
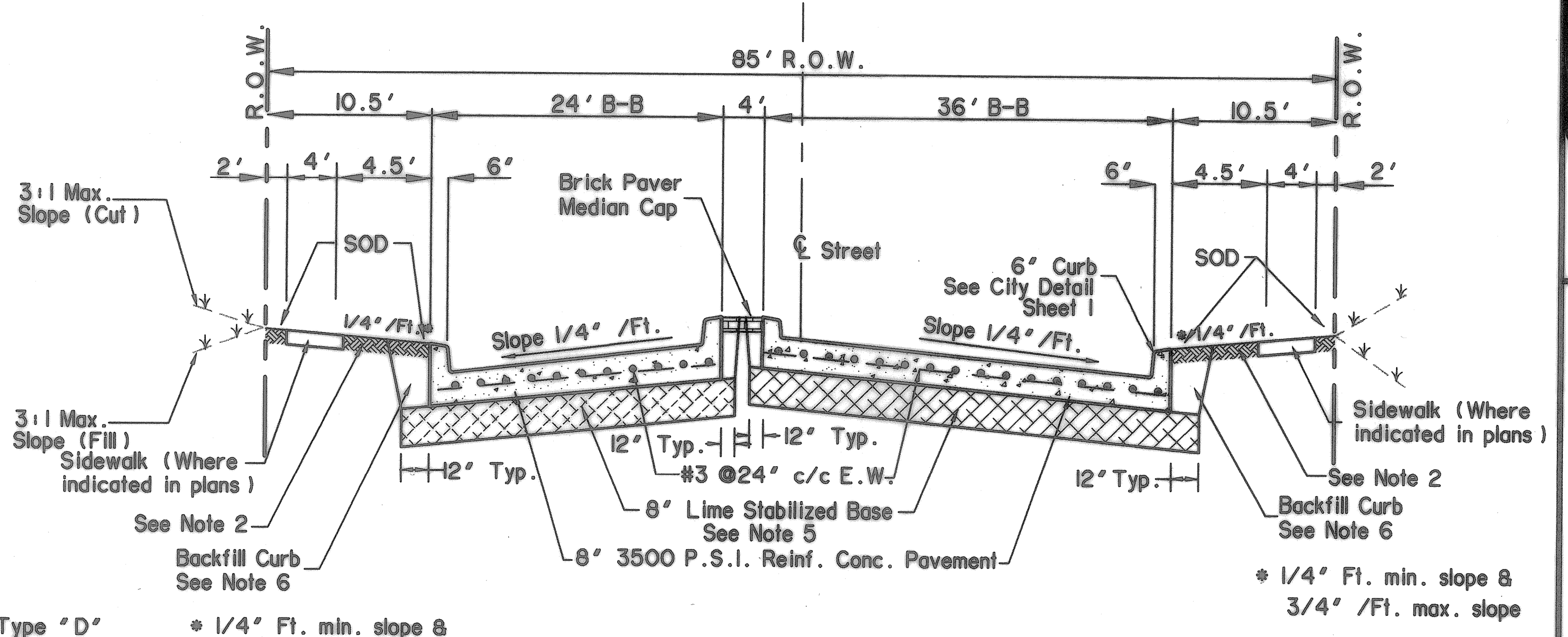


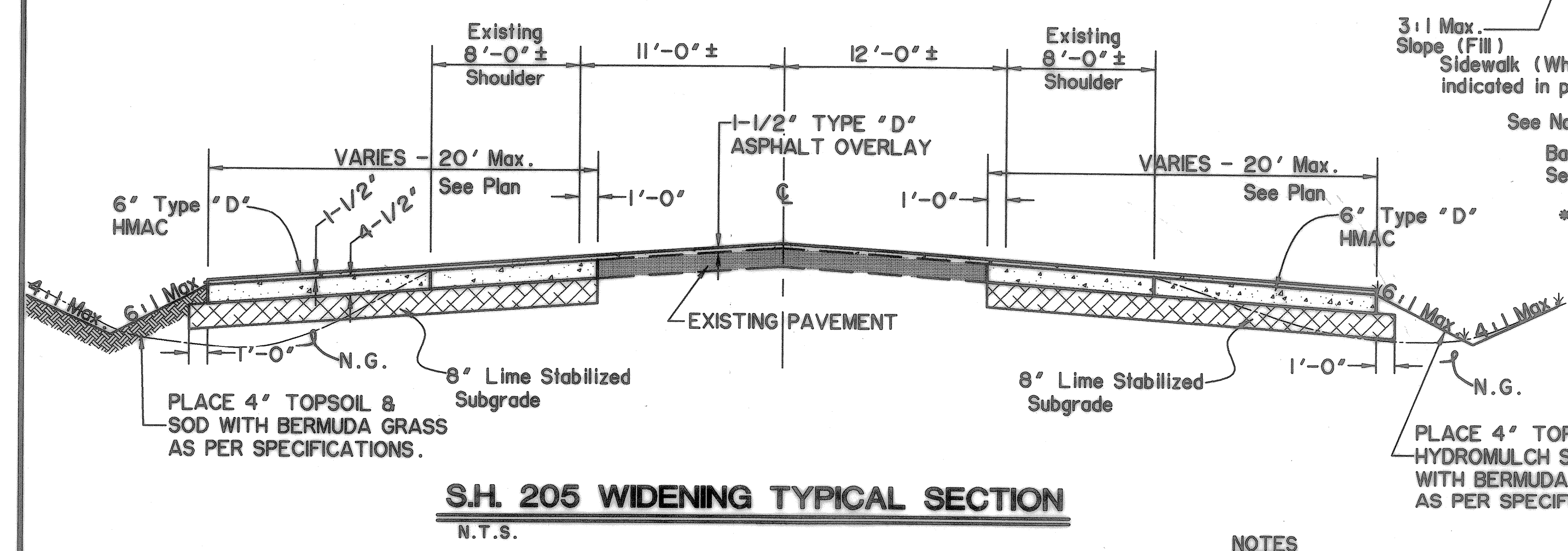
MINOR COLLECTOR and/or LOCAL COMMERCIAL
 N.T.S.



REGULAR SECTION
 N.T.S.



LEFT TURN LANE SECTION
 N.T.S.



S.H. 205 WIDENING TYPICAL SECTION
 N.T.S.

NOTES

1. CONSTRUCT PAVEMENT IN ACCORDANCE WITH CITY STANDARD CONSTRUCTION DETAILS EXCEPT AS NOTED HEREON.
2. PLACE BERMUDA GRASS SOD IN MEDIANS AND PARKWAY AS PER SPECIFICATIONS.
3. IMPORT AND PLACE MINIMUM 4" TOPSOIL ON CUT AND FILL SLOPES OUTSIDE OF RIGHT-OF-WAY. HYDROMULCH SEED WITH BERMUDA GRASS AS PER SPECIFICATIONS. (IMPORTED TOPSOIL SHALL BE APPROVED BY CITY.) THE AREA IS OUTSIDE OF RIGHT-OF-WAY, BUT INSIDE OF CONSTRUCTION EASEMENT. OUTSIDE OF EASEMENT IS AT CONTRACTOR'S EXPENSE.
4. COMPACT ALL FILLS TO MINIMUM 95% OF STANDARD PROCTOR DENSITY. FILL COMPACTION SHALL BE PERFORMED WITH A SHEEPSFOOT ROLLER.
5. 8" LIME STABILIZED SUBGRADE WITH HYDRATED LIME (41 lbs/S.Y.) AND COMPACTED TO A MINIMUM 95% ASTM D1557 (MODIFIED PROCTOR) DENSITY AT A MOISTURE CONTENT BETWEEN OPTIMUM AND 4% ABOVE OPTIMUM.
6. BACKFILL ALL CURBS WITH ON-SITE BROWN CLAY SOILS COMPACTED TO A MINIMUM 95% OF STANDARD PROCTOR DENSITY. TYPICAL ALL ROADWAY AND STREET CURBS THIS PROJECT.

TIME 15:39 FILE: Typsec3a.dwg