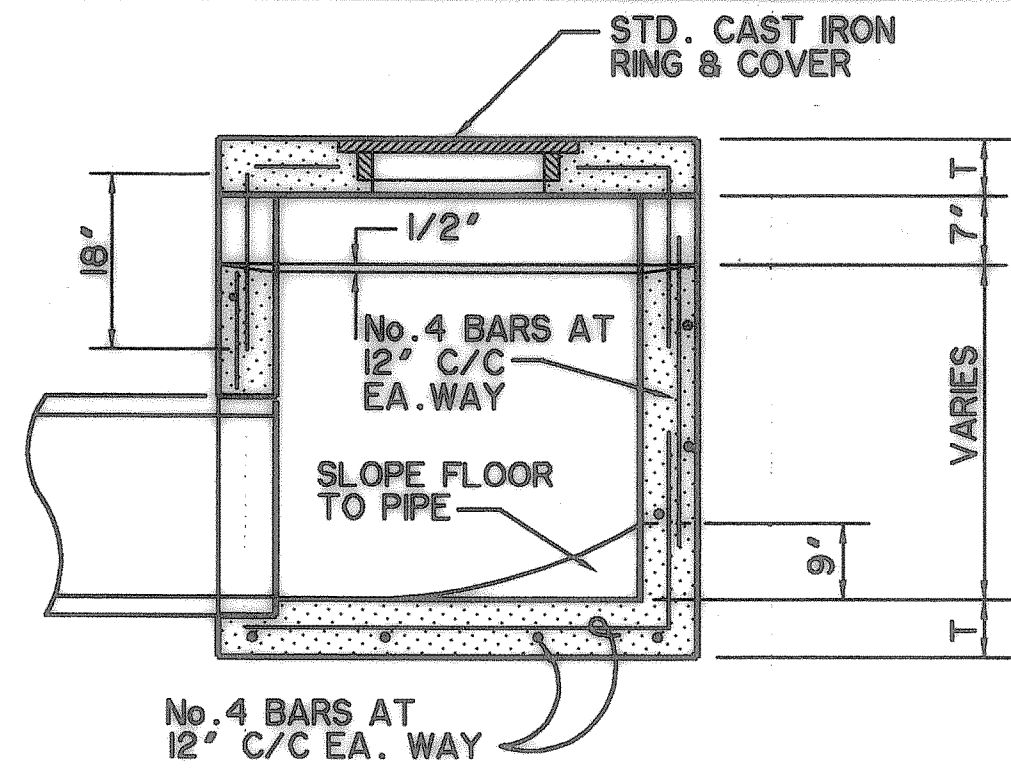
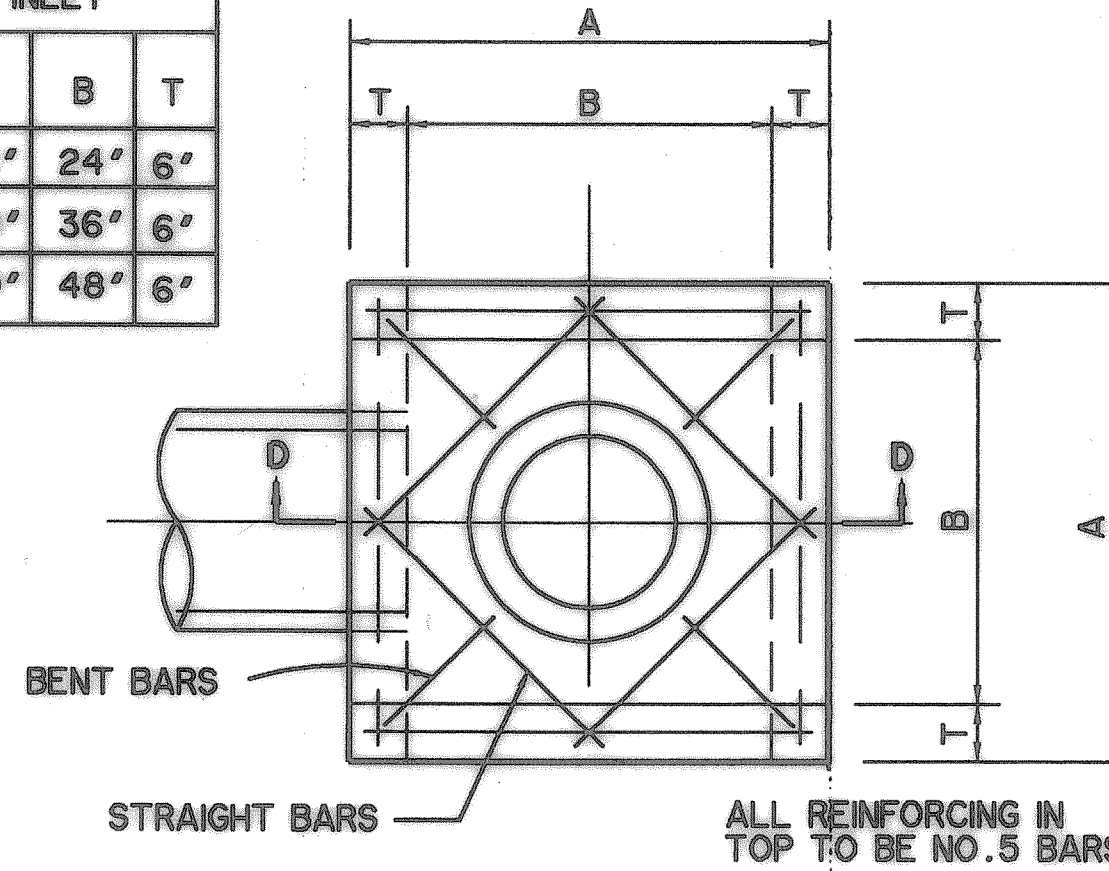


**DROP INLET RIP-RAP**  
N.T.S.

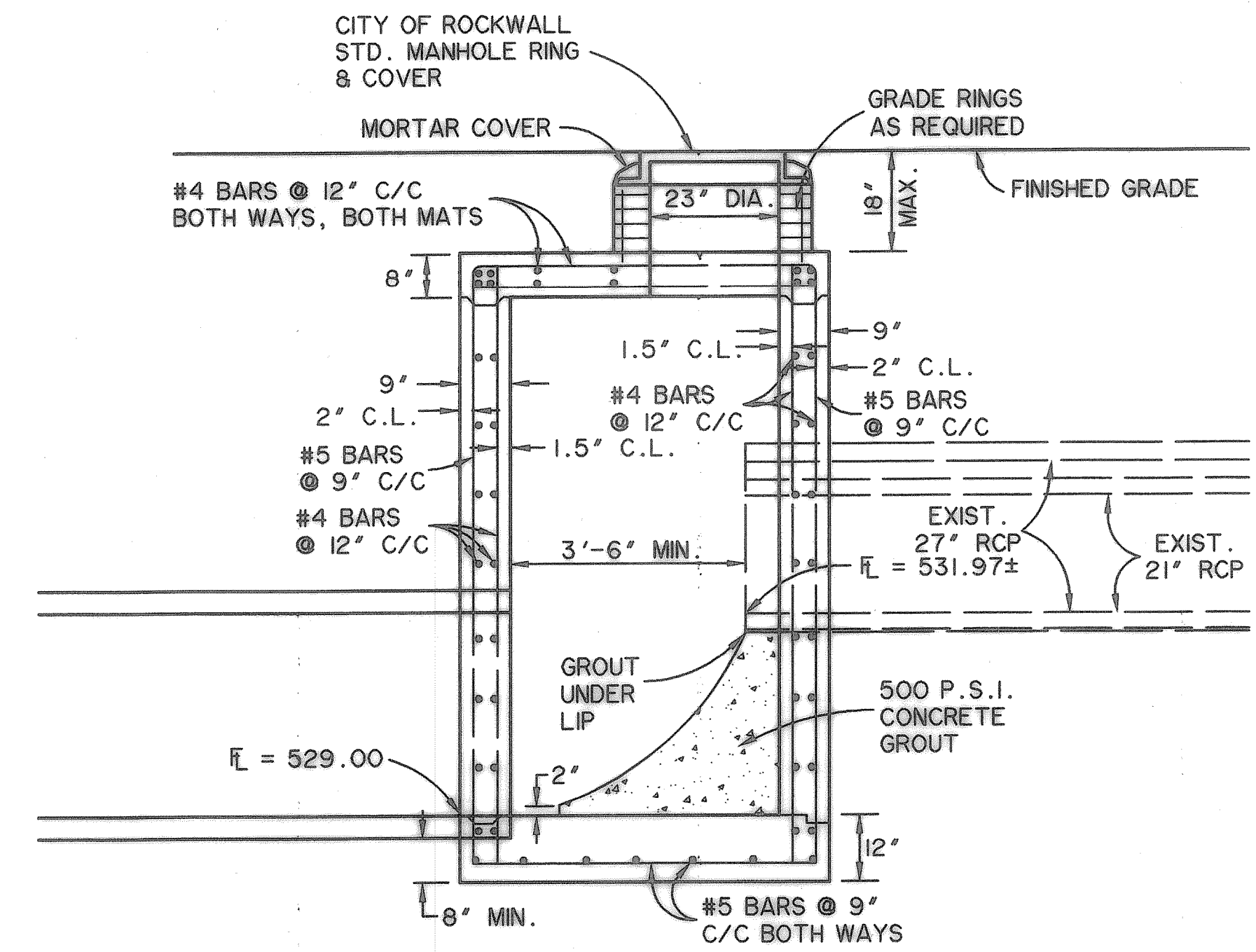


**SECTION D - D**  
N.T.S.

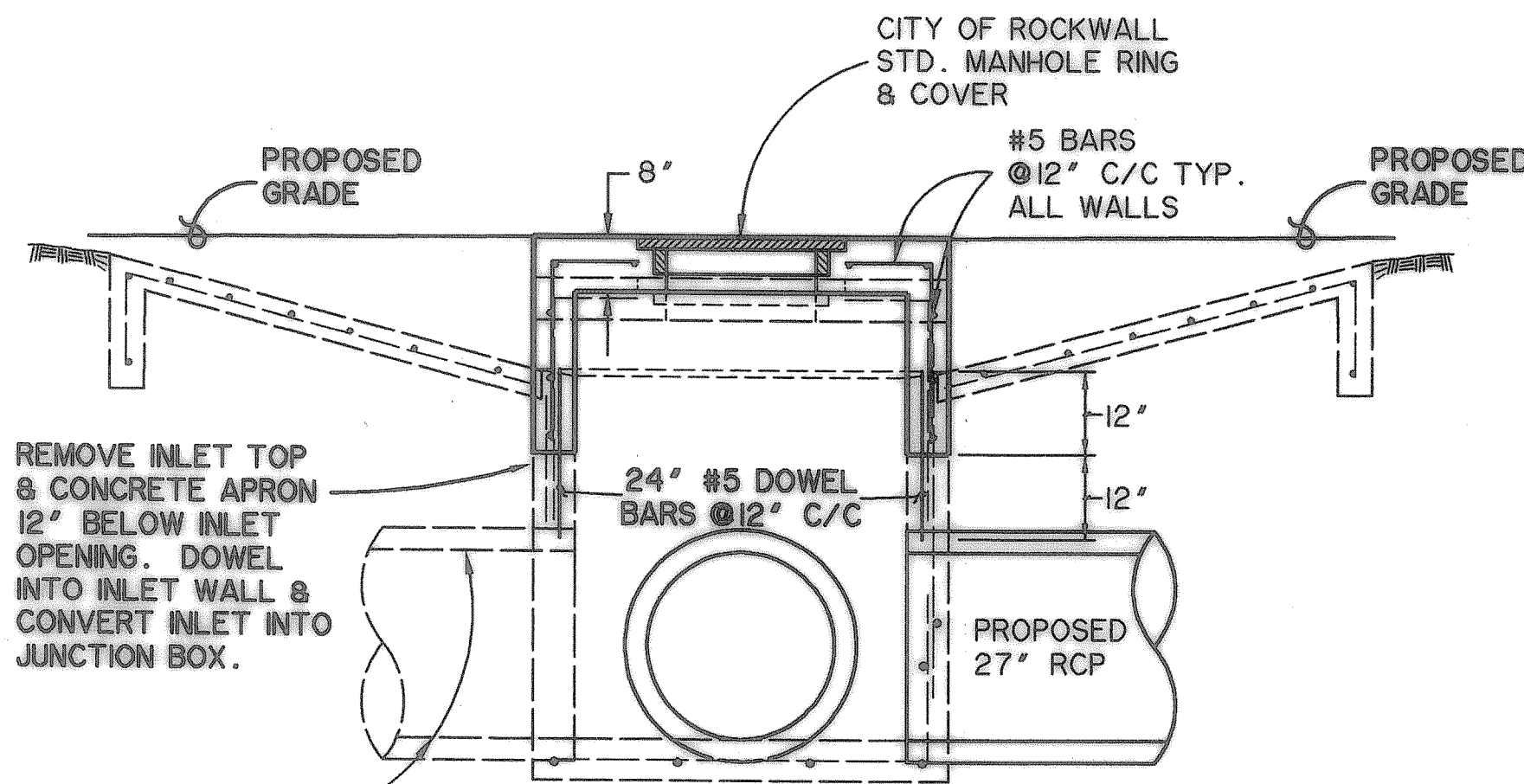
DIMENSIONS FOR DROP INLET			
INLET SIZE	A	B	T
2' X 2'	36"	24"	6"
3' X 3'	48"	36"	6"
4' X 4'	60"	48"	6"



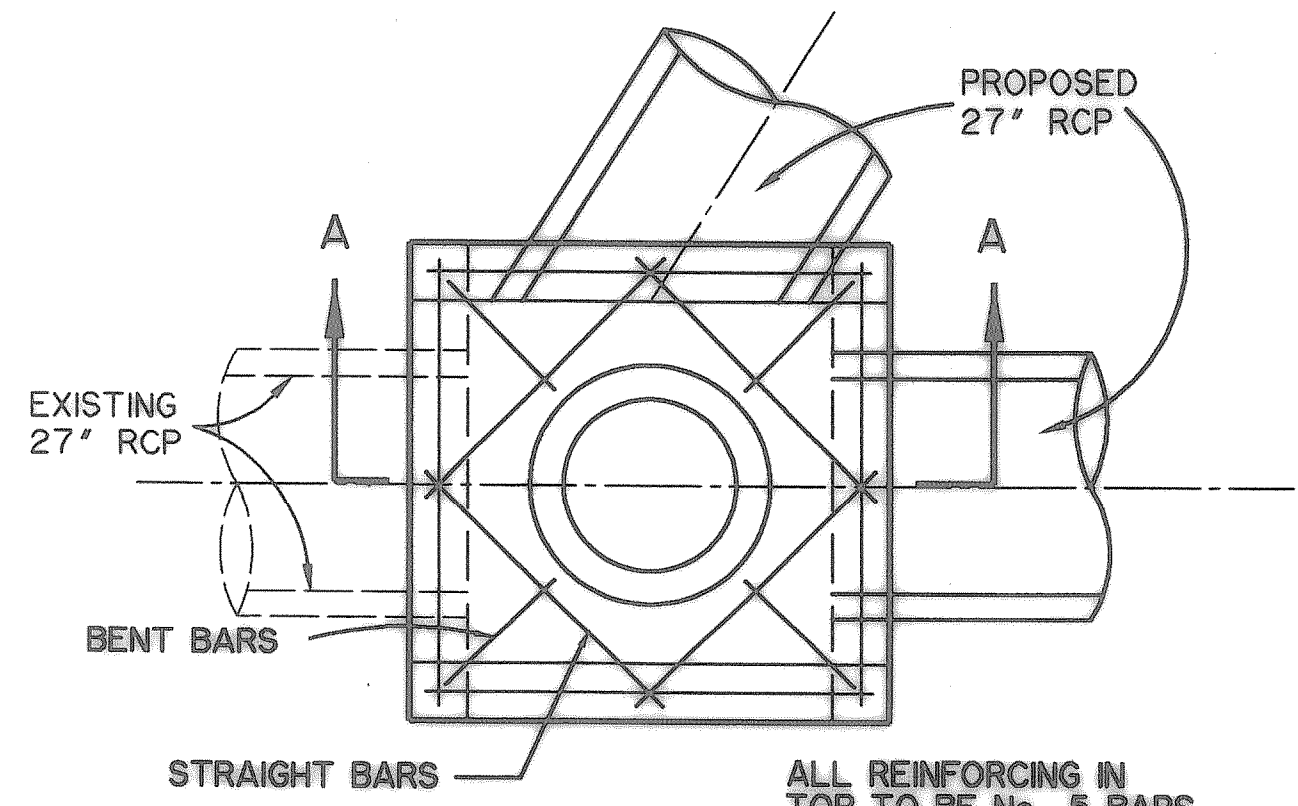
**PLAN**  
N.T.S.  
**DROP INLET**  
N.T.S.



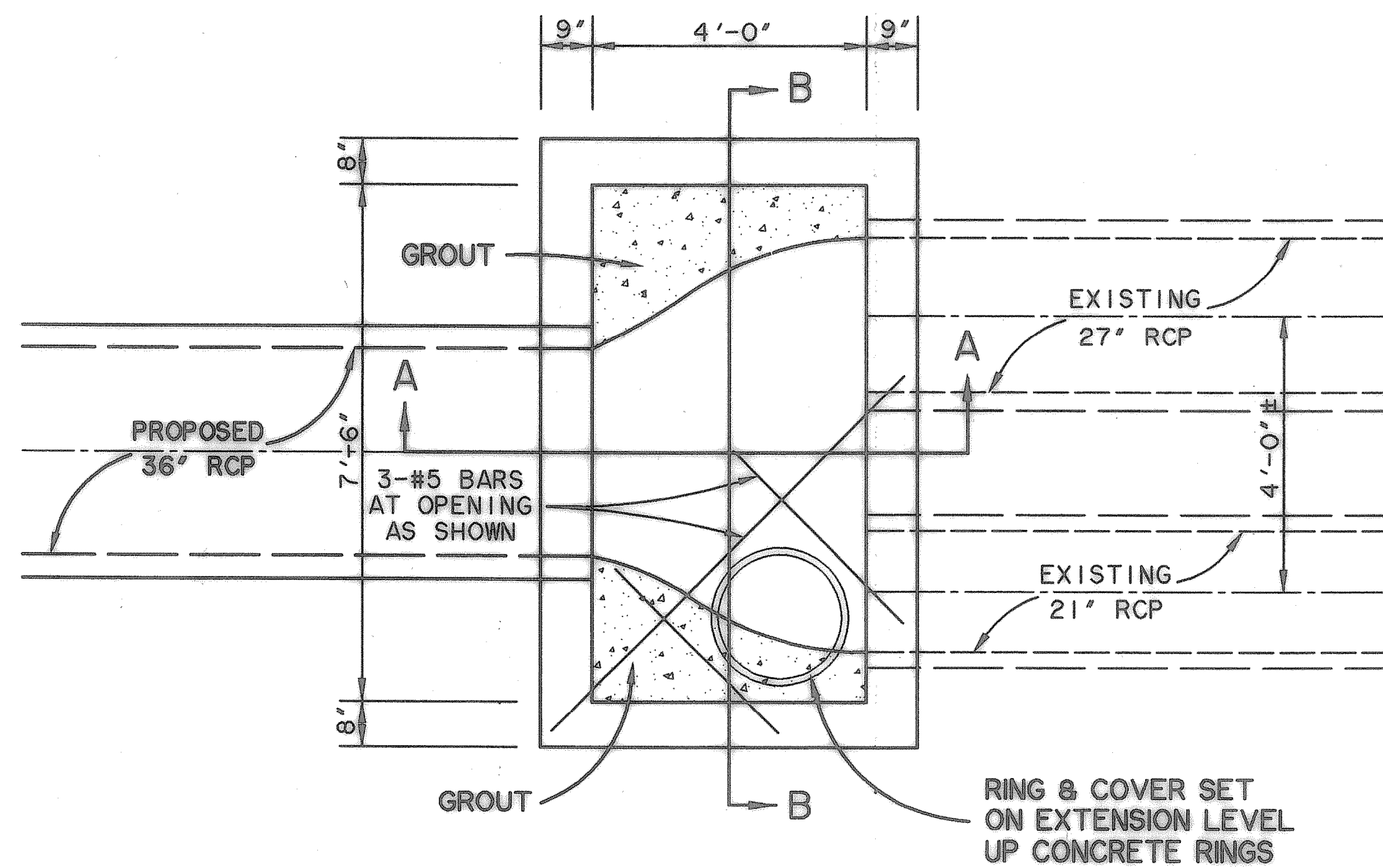
**SECTION "A-A"**  
SCALE: 1" = 2"



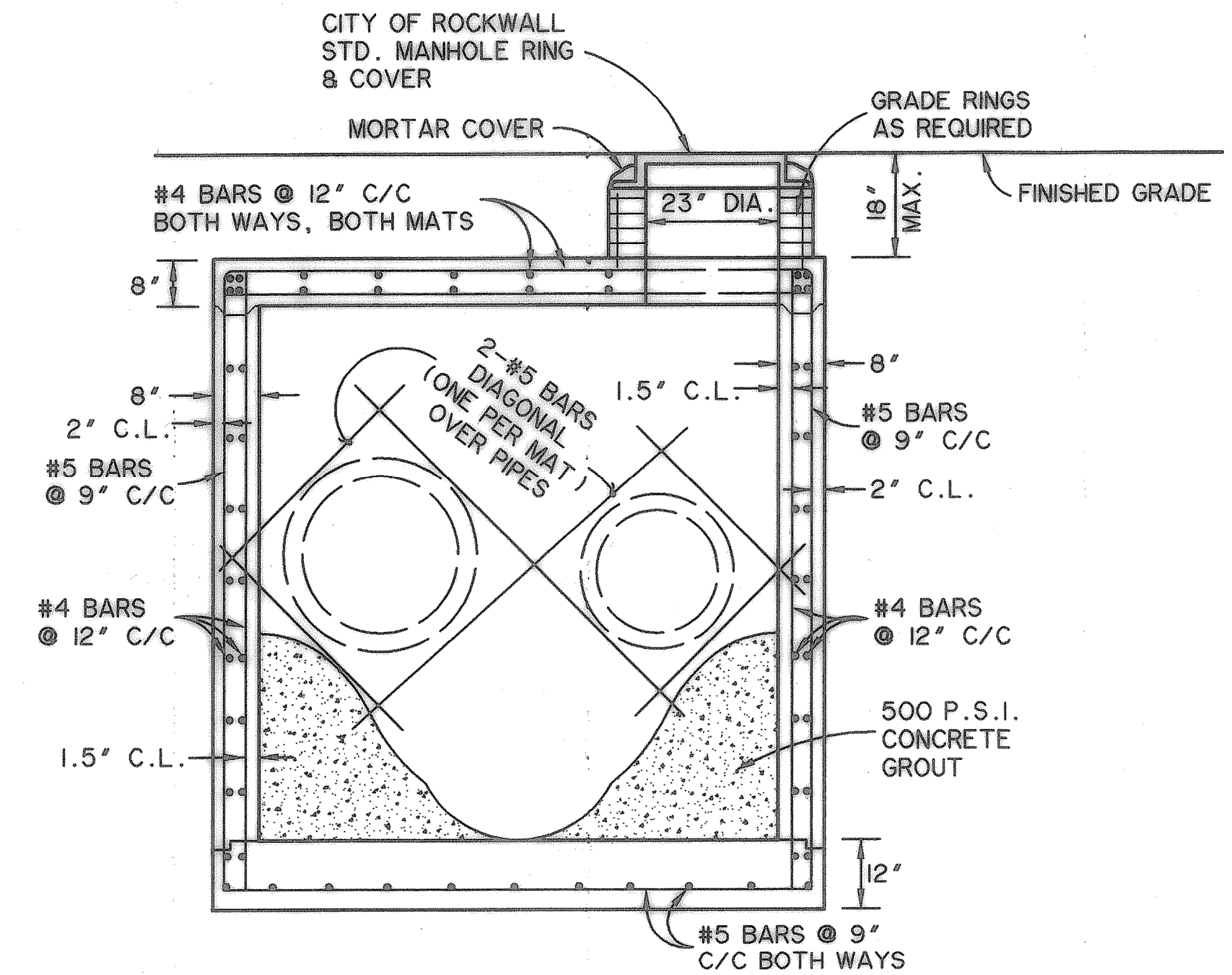
**SECTION "A-A"**  
SCALE: 1" = 2"



**PLAN**  
SCALE: 1" = 2"



**PLAN**  
SCALE: 1" = 2"



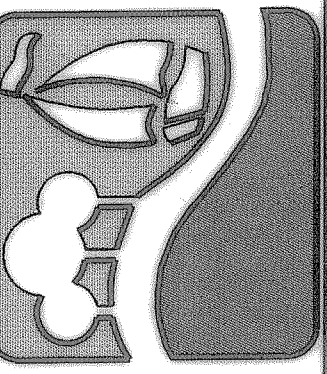
**SECTION "B-B"**  
SCALE: 1" = 2"

**DROP INLET CONVERSION TO JUNCTION BOX DETAIL**

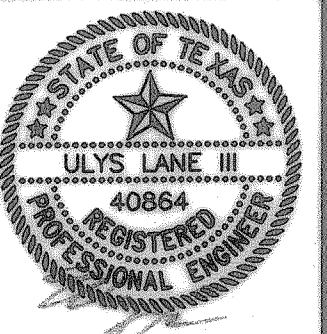
**SPECIAL JUNCTION BOX No. 1 DETAIL**

RECORD PLANS  
1-15-02

PREPARED BY:  
**VIA WIER & ASSOCIATES, INC.**  
ENGINEERS SURVEYORS LAND PLANNERS  
4500 BELWAY PLACE SUITE 130 ANTONIO, TEXAS 78106 METRO (817)467-7700  
4108 AVON CANYON BLVD. SUITE 200 FORT WORTH, TEXAS 76155 METRO (817)355-9537



**STORM DRAIN JUNCTION BOX No. 1 DETAIL, "Y" INLET & "Y" INLET CONVERSION TO JUNCTION BOX DETAIL**



COPYRIGHT ©  
WIER & ASSOCIATES, INC.  
LAST SHEET EDIT  
DATE 05-18-99  
WA# 97057  
**SHEET NO. 52**

TIME: 18.09 FILE: 80WADDT1.dwg