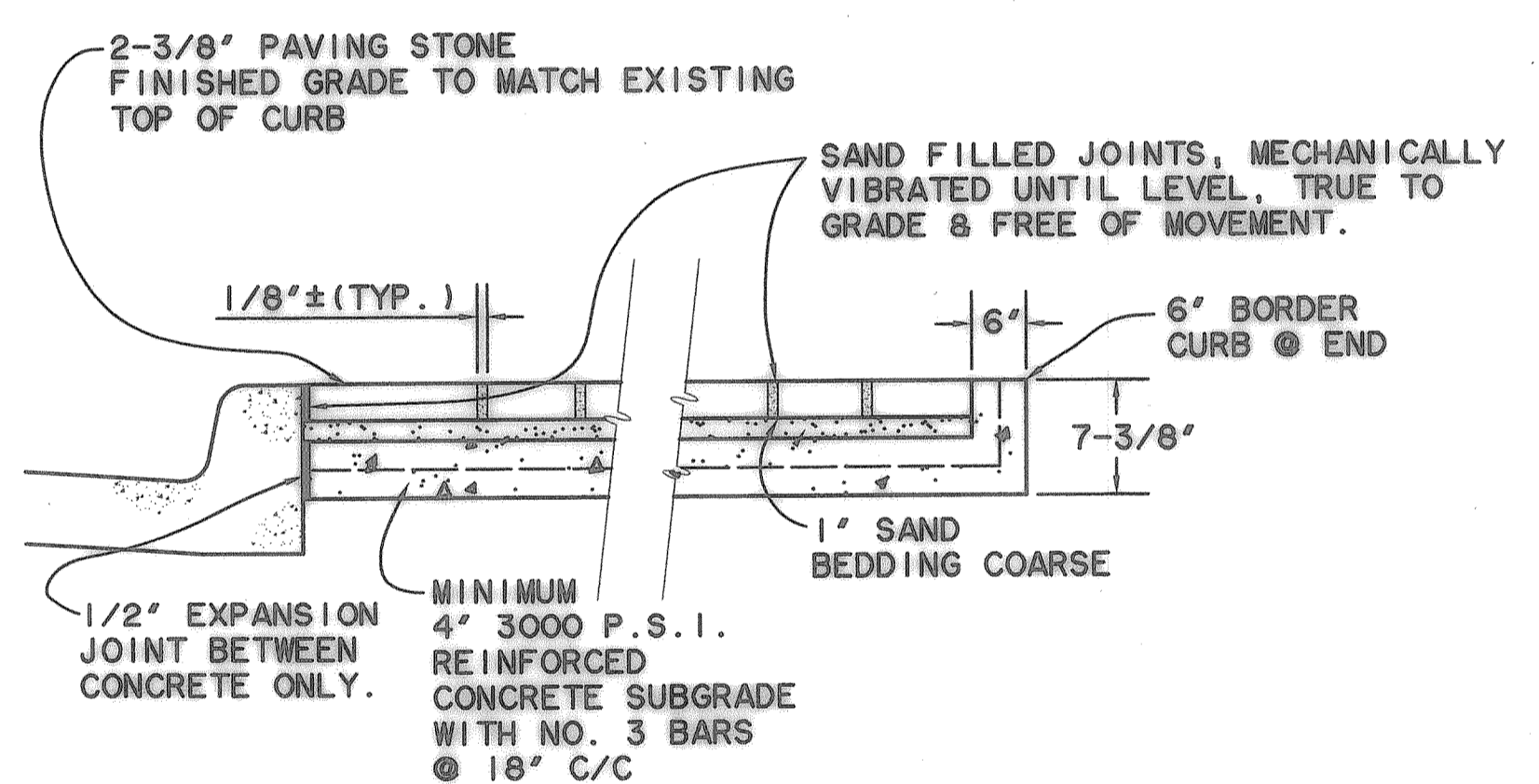
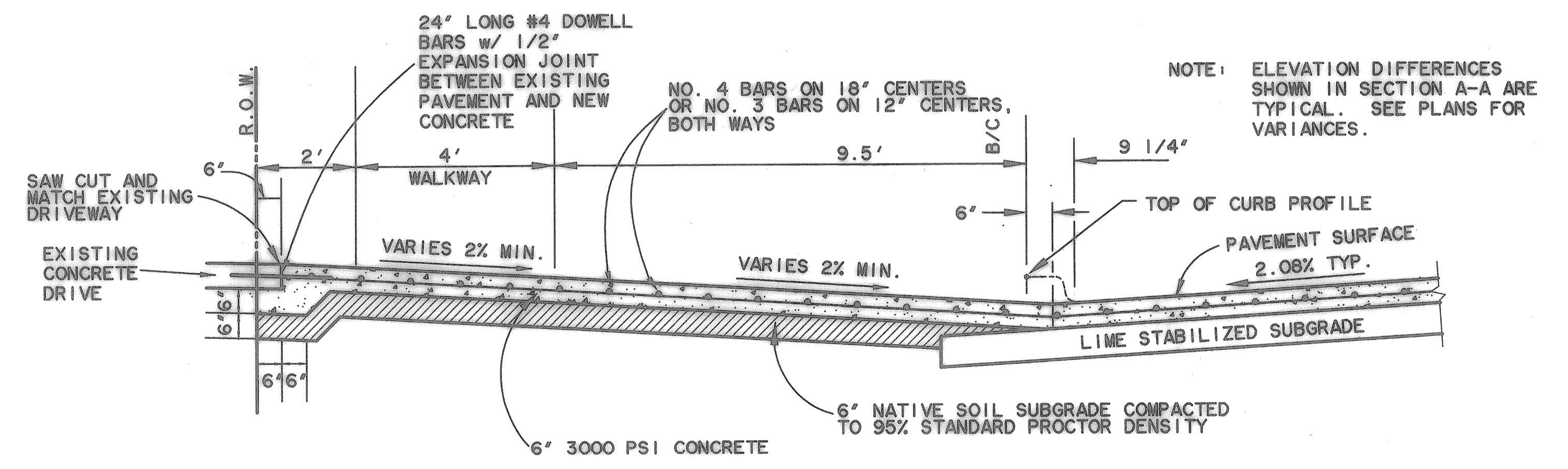


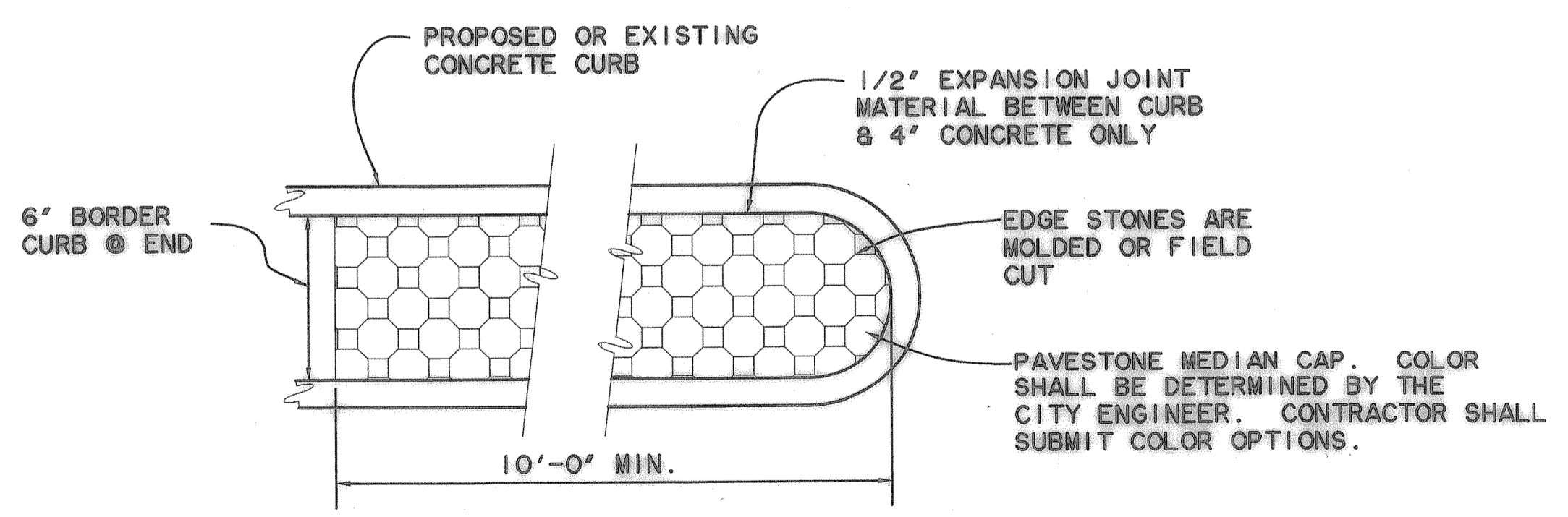
**TYPICAL DETAIL FOR DRIVEWAYS**  
 N.T.S.



**TYPICAL CROSS SECTION**



**SECTION A-A**  
 N.T.S.



**MEDIAN PAVING STONE DETAIL**  
 N.T.S.

MEDIAN PAVING SHALL EXTEND TO A POINT WHERE MEDIAN IS 5' WIDE.

FILE: DRVAPP.dwg  
 TIME: 6:46